



US00D994635S

(12) **United States Design Patent**
Akana et al.

(10) **Patent No.:** **US D994,635 S**

(45) **Date of Patent:** **** Aug. 8, 2023**

(54) **HEADPHONES**

(71) Applicant: **Apple Inc.**, Cupertino, CA (US)

(72) Inventors: **Jody Akana**, Los Altos Hills, CA (US);
Molly Anderson, San Francisco, CA (US); **Bartley K. Andre**, Palo Alto, CA (US); **Shota Aoyagi**, San Francisco, CA (US); **Anthony Michael Ashcroft**, San Francisco, CA (US); **Marine C. Bataille**, San Francisco, CA (US); **Jeremy Bataillou**, San Francisco, CA (US); **Abidur Rahman Chowdhury**, San Francisco, CA (US); **Clara Geneviève Marine Courtaigne**, Palo Alto, CA (US); **Markus Diebel**, San Francisco, CA (US); **Jonathan Gomez Garcia**, San Francisco, CA (US); **M. Evans Hankey**, San Francisco, CA (US); **Richard P. Howarth**, San Francisco, CA (US); **Jonathan P. Ive**, San Francisco, CA (US); **Julian Jaede**, San Francisco, CA (US); **Duncan Robert Kerr**, San Francisco, CA (US); **Peter Russell-Clarke**, San Francisco, CA (US); **Benjamin Andrew Shaffer**, San Jose, CA (US); **Sung-Ho Tan**, Vienna (AT); **Clement Tissandier**, San Francisco, CA (US); **Eugene Antony Whang**, San Francisco, CA (US)

(73) Assignee: **Apple Inc.**, Cupertino, CA (US)

(**) Term: **15 Years**

(21) Appl. No.: **29/856,905**

(22) Filed: **Oct. 18, 2022**

Related U.S. Application Data

(63) Continuation of application No. 29/848,299, filed on Aug. 1, 2022, which is a continuation of application (Continued)

(51) **LOC (14) Cl.** **14-01**

(52) **U.S. Cl.**
USPC **D14/205**

(58) **Field of Classification Search**
USPC D14/205, 188, 192; D29/112; 2/209; 381/380-381, 374

(Continued)

(56) **References Cited**

U.S. PATENT DOCUMENTS

1,329,658 A 2/1920 Gernsback
3,952,158 A 4/1976 Kyle et al.
(Continued)

FOREIGN PATENT DOCUMENTS

CN 306855426 9/2021
CN 306992023 12/2021
(Continued)

Primary Examiner — Paula Allen Greene

(74) *Attorney, Agent, or Firm* — Sterne, Kessler, Goldstein & Fox P.L.L.C.

(57) **CLAIM**

The ornamental design for headphones, as shown and described.

DESCRIPTION

U.S. Design application Ser. No. 29/731,849, filed Apr. 17, 2020, is also incorporated herein in its entirety by reference thereto.

FIG. 1 is a top front perspective view of headphones showing the claimed design;

FIG. 2 is a bottom rear perspective view thereof;

FIG. 3 is a front view thereof;

FIG. 4 is a rear view thereof;

FIG. 5 is a left side view thereof;

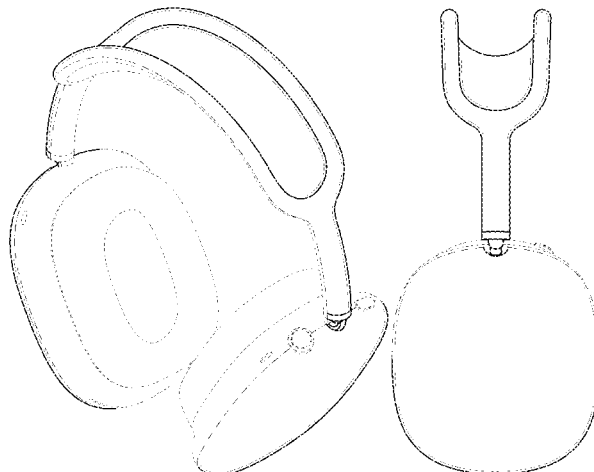
FIG. 6 is a right side view thereof;

FIG. 7 is a top view thereof; and,

FIG. 8 is a bottom view thereof.

The dashed broken lines in the figures show portions of the headphones that form no part of the claimed design.

(Continued)



The dot-dash broken lines in the figures show boundaries that form no part of the claimed design.

1 Claim, 7 Drawing Sheets

Related U.S. Application Data

No. 29/801,991, filed on Aug. 2, 2021, now Pat. No. Des. 959,406, which is a continuation of application No. 29/731,847, filed on Apr. 17, 2020, now Pat. No. Des. 926,725.

(58) **Field of Classification Search**

CPC H04R 25/00; H04R 25/02; H04R 1/1066; H04R 1/1016; H04R 5/033; H04R 5/0335; H04R 1/105; H04R 1/1058; H04R 1/1083

See application file for complete search history.

(56) **References Cited**

U.S. PATENT DOCUMENTS

4,037,064 A 7/1977 Yasuda
 D254,183 S 2/1980 Doodson
 D254,616 S 4/1980 Tabata
 D262,019 S 11/1981 Upshaw
 D272,904 S 3/1984 Kawano
 D348,466 S 7/1994 Yamatogi
 D352,036 S 11/1994 Sekita
 D353,818 S 12/1994 Nakamura
 5,406,037 A 4/1995 Nageno et al.
 D358,391 S 5/1995 Isono
 D373,360 S 9/1996 Kanno
 D375,312 S 11/1996 Kanno
 D376,598 S 12/1996 Hayashi
 D423,012 S 4/2000 Yasutomi
 D443,872 S 6/2001 Mori
 D452,492 S 12/2001 Mori
 D457,512 S 5/2002 Yoneda
 D459,337 S 6/2002 Mori
 D467,580 S 12/2002 Mori
 6,611,963 B2 9/2003 Woo et al.
 D484,485 S 12/2003 Matsuoka
 6,724,906 B2 4/2004 Naksen et al.
 D502,695 S 3/2005 Suzuki
 D508,483 S 8/2005 Suzuki
 D510,335 S 10/2005 Suzuki
 D517,045 S 3/2006 Komiyama
 D517,527 S 3/2006 Suzuki
 D519,110 S 4/2006 Komiyama
 D519,497 S 4/2006 Komiyama
 D520,492 S 5/2006 Chen
 D542,774 S 5/2007 Rausch et al.
 D549,688 S 8/2007 Suzuki
 D552,077 S 10/2007 Brunner et al.
 D567,215 S 4/2008 Lee
 D567,220 S 4/2008 Wang
 7,457,649 B1 11/2008 Wilson
 D588,098 S 3/2009 Kurihara
 D601,124 S 9/2009 Uchimura et al.
 D613,266 S 4/2010 Barry et al.
 D616,865 S 6/2010 Marchand et al.
 D632,668 S 2/2011 Brunner et al.

D633,896 S 3/2011 Kondo et al.
 D637,176 S 5/2011 Brunner et al.
 D657,344 S 4/2012 Brunner et al.
 D657,345 S 4/2012 Brunner et al.
 D661,685 S 6/2012 Lee et al.
 D674,767 S 1/2013 Brunner et al.
 D691,582 S 10/2013 Nguyen et al.
 D716,760 S 11/2014 Brunner et al.
 D731,847 S * 6/2015 Arregui Letamendi D7/354
 D736,175 S 8/2015 Levine
 D775,605 S 1/2017 Lee et al.
 D778,258 S 2/2017 Hsu et al.
 D780,156 S 2/2017 Petersen
 D791,734 S 7/2017 Ou
 D796,474 S 9/2017 Treski et al.
 D801,991 S * 11/2017 Jon D14/485
 D811,362 S 2/2018 Petersen
 D814,439 S 4/2018 Birath et al.
 D826,210 S 8/2018 Chong
 D830,993 S 10/2018 Petersen et al.
 D843,345 S 3/2019 Brunner et al.
 D848,973 S 5/2019 Karacal
 D851,062 S 6/2019 Saule et al.
 D851,622 S 6/2019 Billaudet et al.
 10,362,380 B2 7/2019 Ito et al.
 D857,655 S 8/2019 Saule et al.
 D858,481 S 9/2019 Saule et al.
 D860,163 S 9/2019 Xia
 D867,327 S 11/2019 Brunner et al.
 D868,731 S 12/2019 Jung
 D871,368 S 12/2019 Saule et al.
 D872,049 S 1/2020 Saule et al.
 D873,237 S 1/2020 Ozawa et al.
 D876,388 S 2/2020 Carr et al.
 D878,329 S 3/2020 Levine et al.
 D881,840 S 4/2020 Chen
 D889,432 S 7/2020 Brunner et al.
 D890,123 S 7/2020 Yoshimura
 10,721,550 B2 7/2020 Bunney et al.
 D900,783 S 11/2020 Levine
 D905,001 S 12/2020 Enqvist et al.
 D916,680 S 4/2021 Akana et al.
 D926,725 S * 8/2021 Akana D14/205
 D937,806 S * 12/2021 Akana D14/205
 D953,289 S * 5/2022 Akana D14/205
 D959,406 S * 8/2022 Akana D14/205
 D959,408 S * 8/2022 Han D14/216
 D967,796 S * 10/2022 Akana D14/205
 D972,529 S * 12/2022 Akana D14/205
 D973,630 S * 12/2022 Akana D14/205
 D975,672 S * 1/2023 Akana D14/205
 2003/0210801 A1 11/2003 Naksen et al.
 2006/0104471 A1 5/2006 Tsunoda et al.
 2012/0125360 A1 5/2012 Hill et al.
 2016/0277828 A1 9/2016 Oh et al.
 2017/0019728 A1 1/2017 Cochran et al.
 2018/0270556 A1 9/2018 Kelley et al.
 2020/0030151 A1 1/2020 Hemberg et al.
 2020/0053448 A1 2/2020 Heaston et al.

FOREIGN PATENT DOCUMENTS

EM 008028526-0002 7/2020
 JP D1479255 8/2013
 JP D1557743 S 9/2016
 KR 30-0687072 3/2013

* cited by examiner

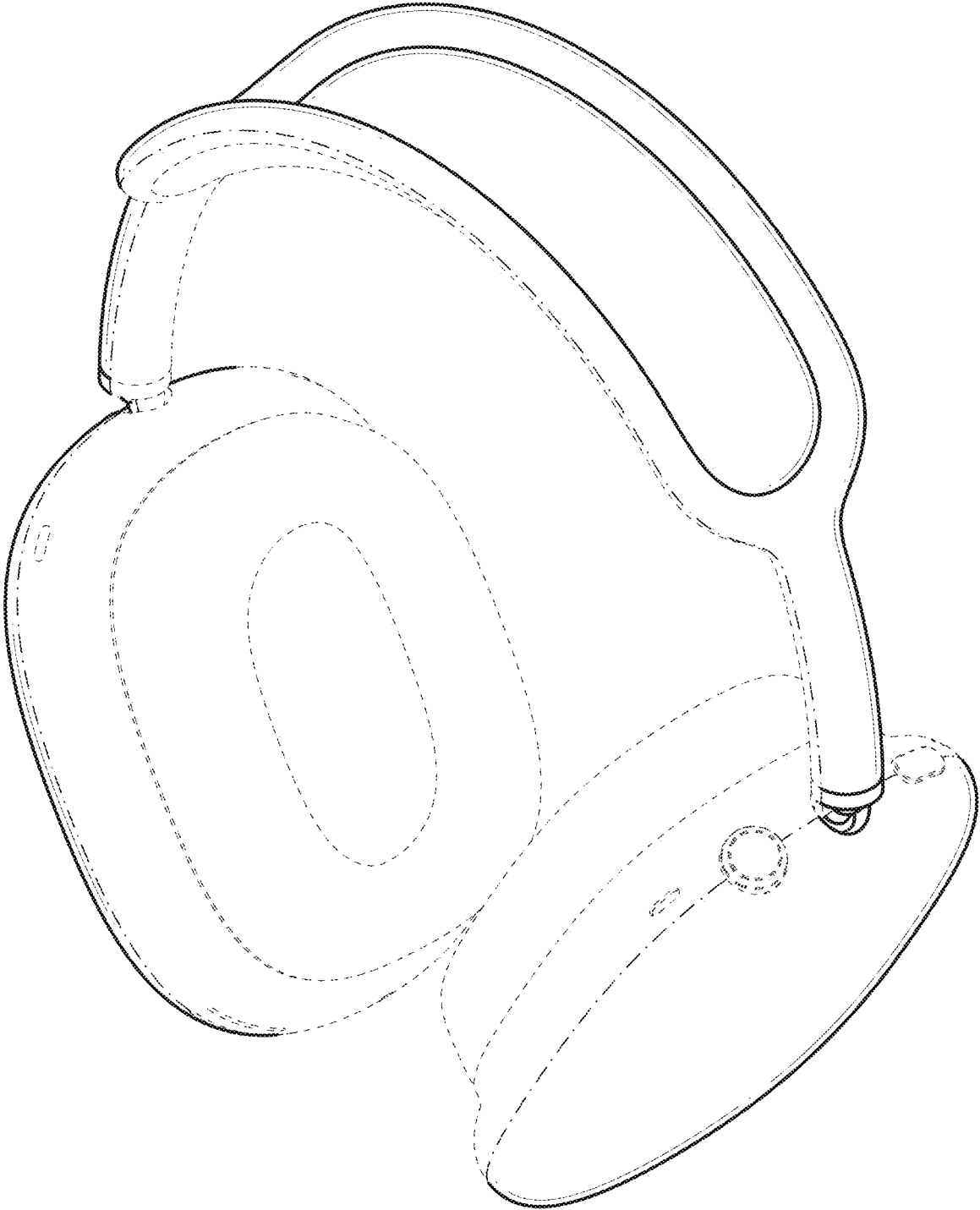


FIG. 1

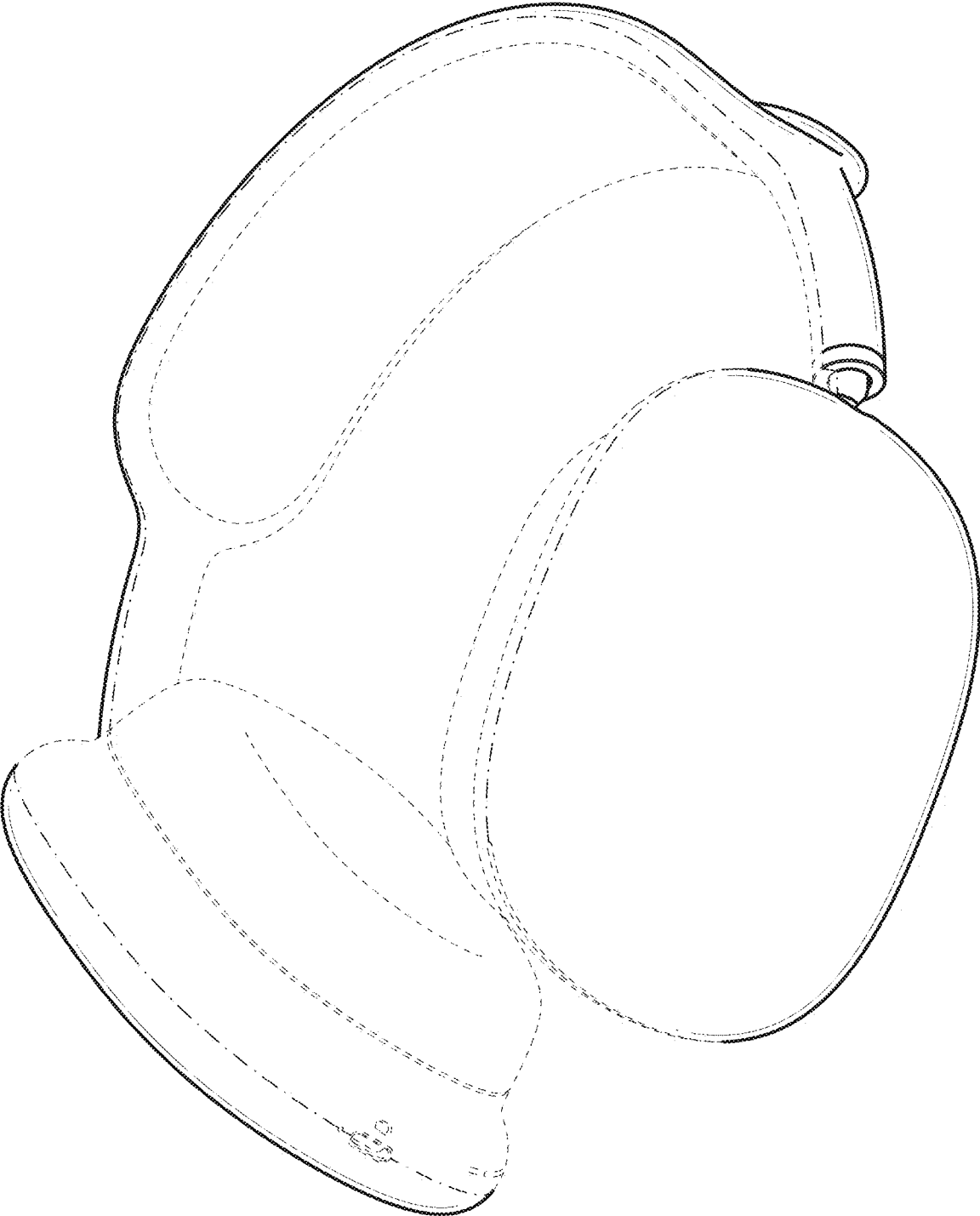


FIG. 2

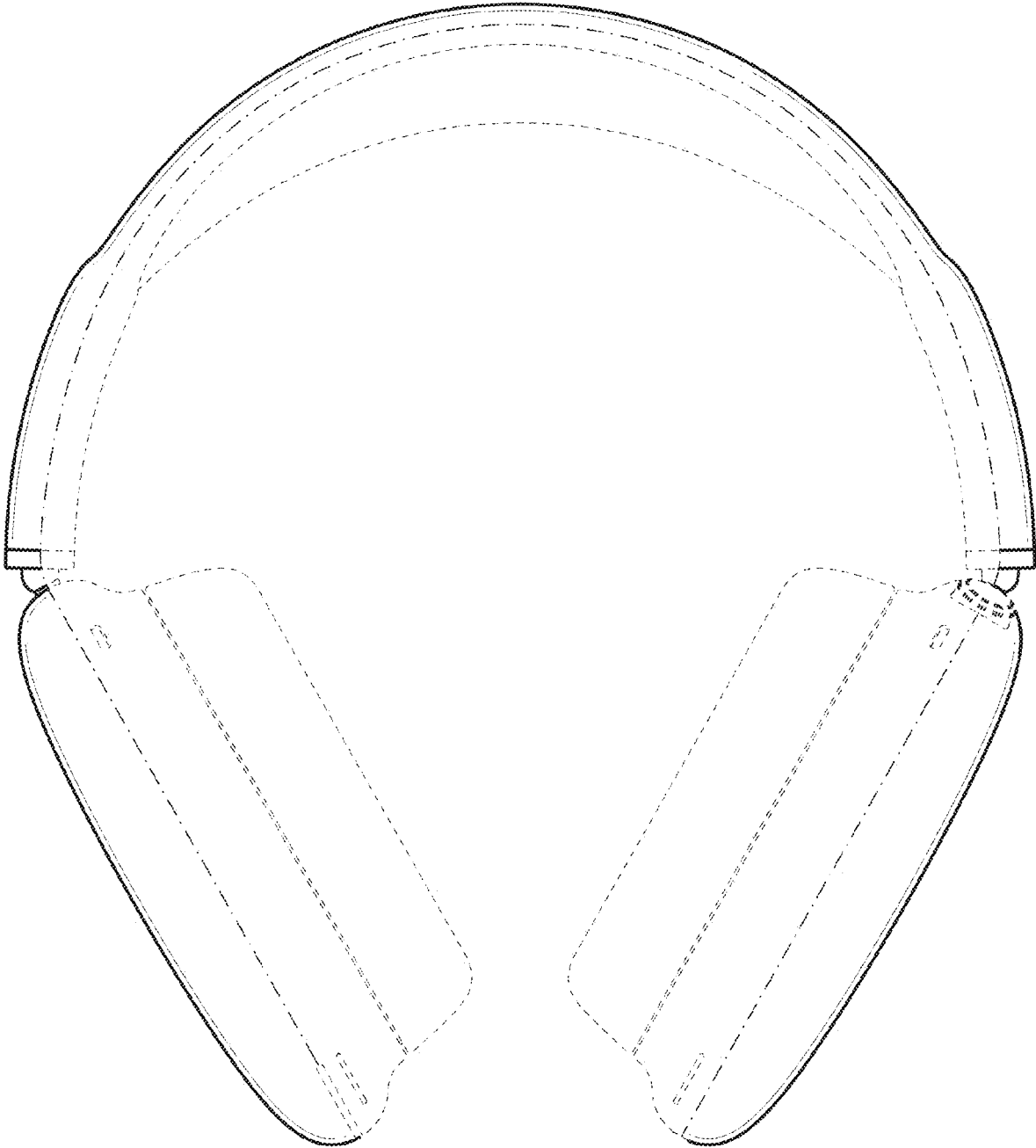


FIG. 3

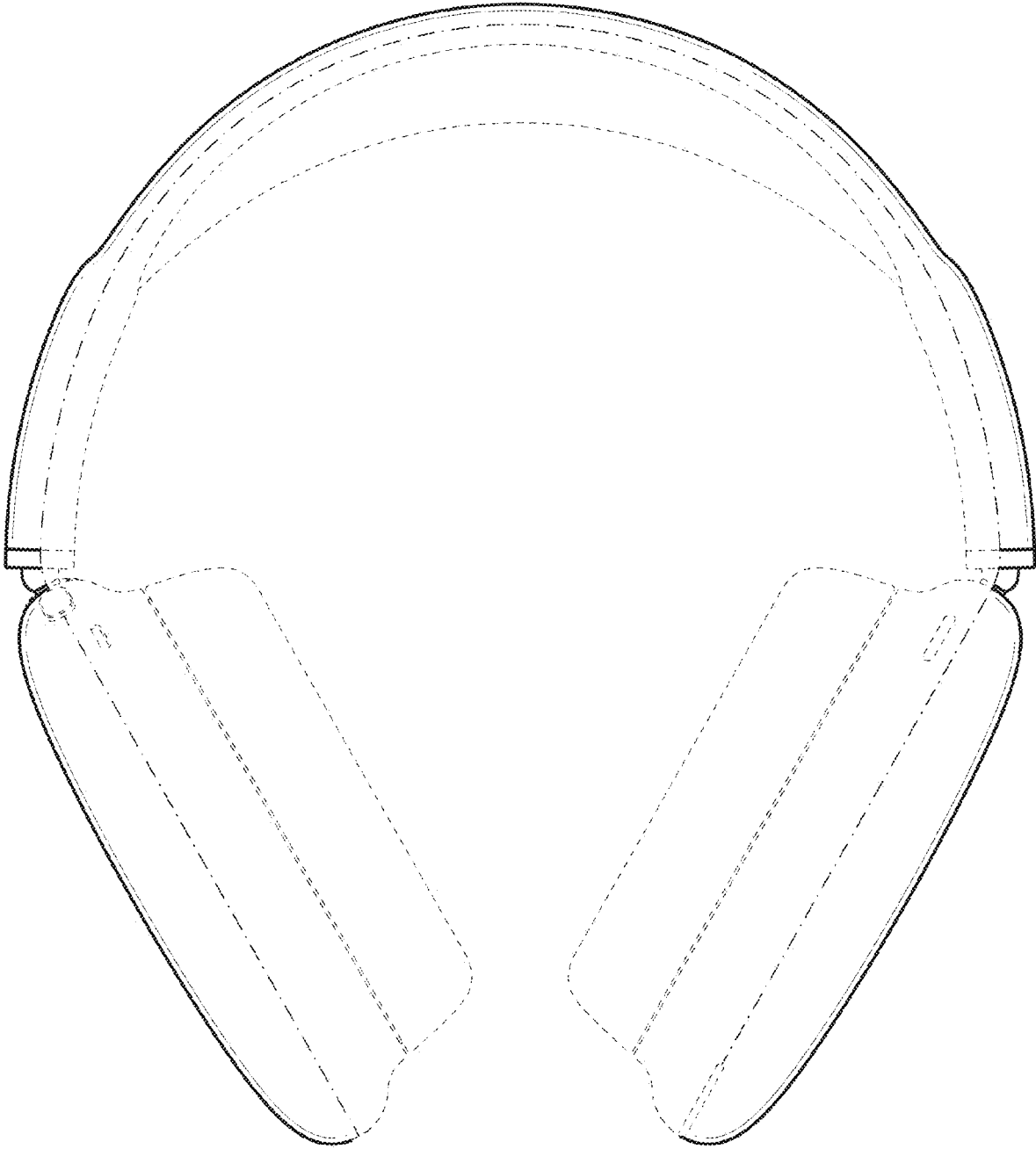


FIG. 4

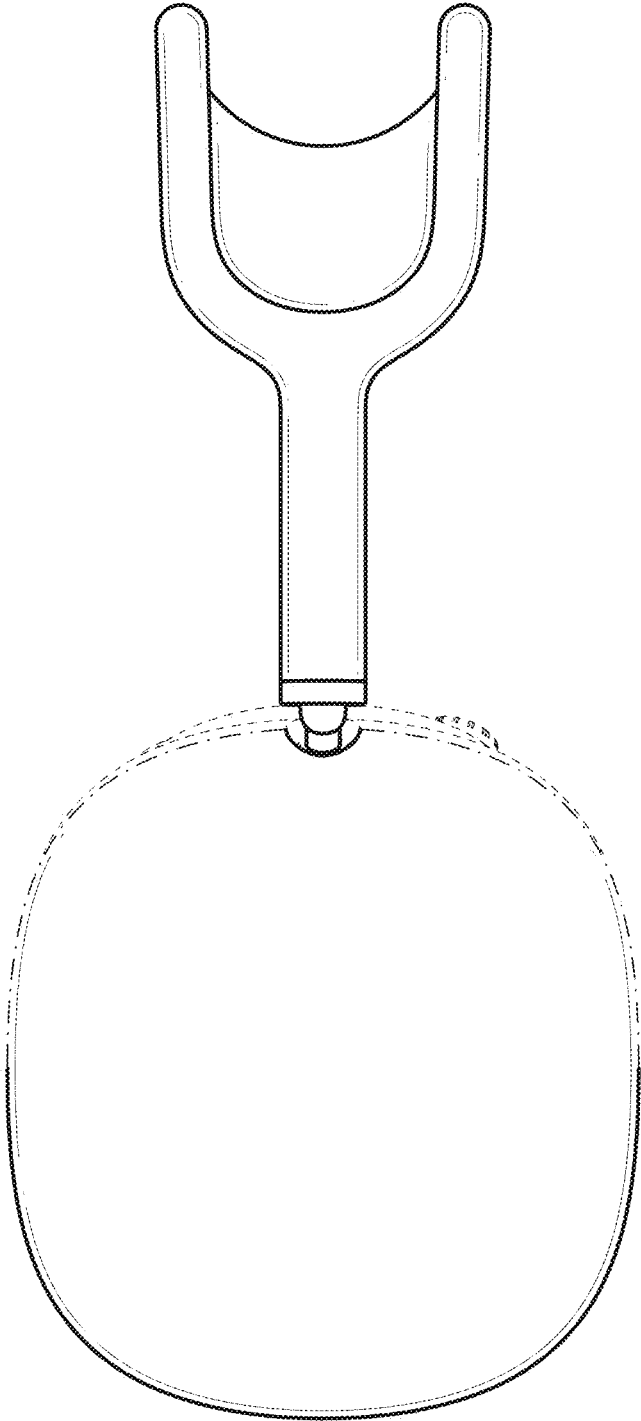


FIG. 5

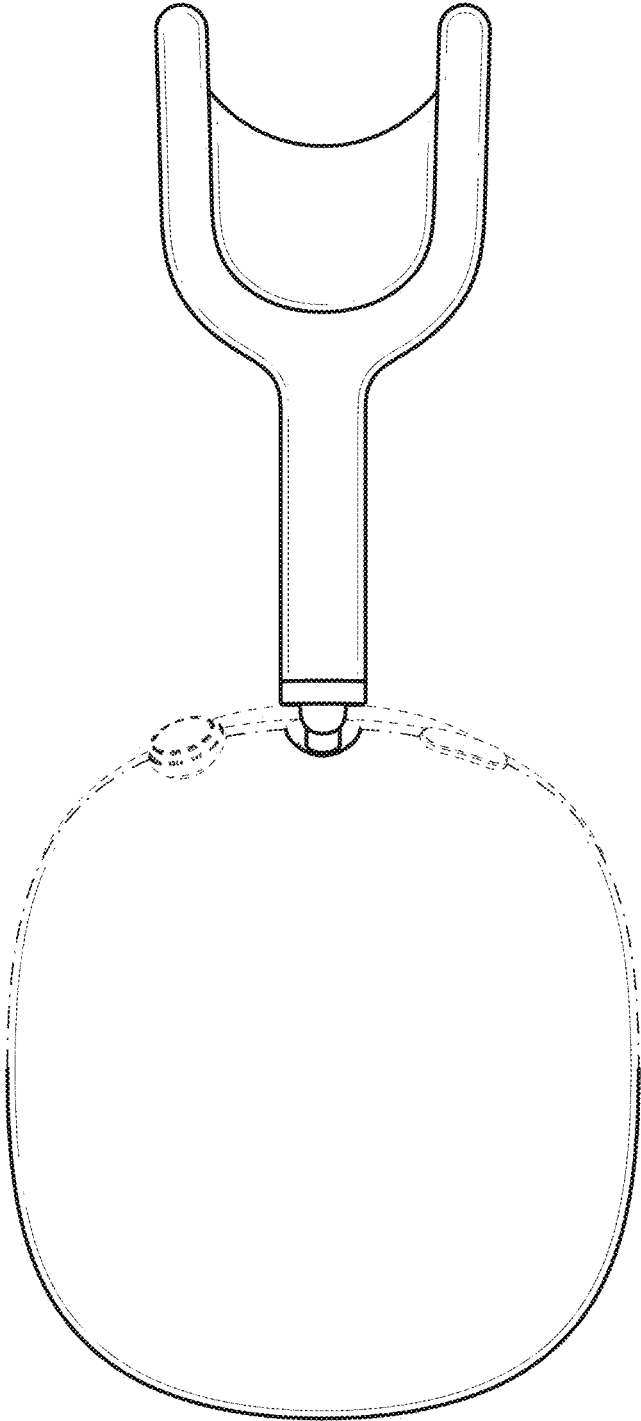


FIG. 6

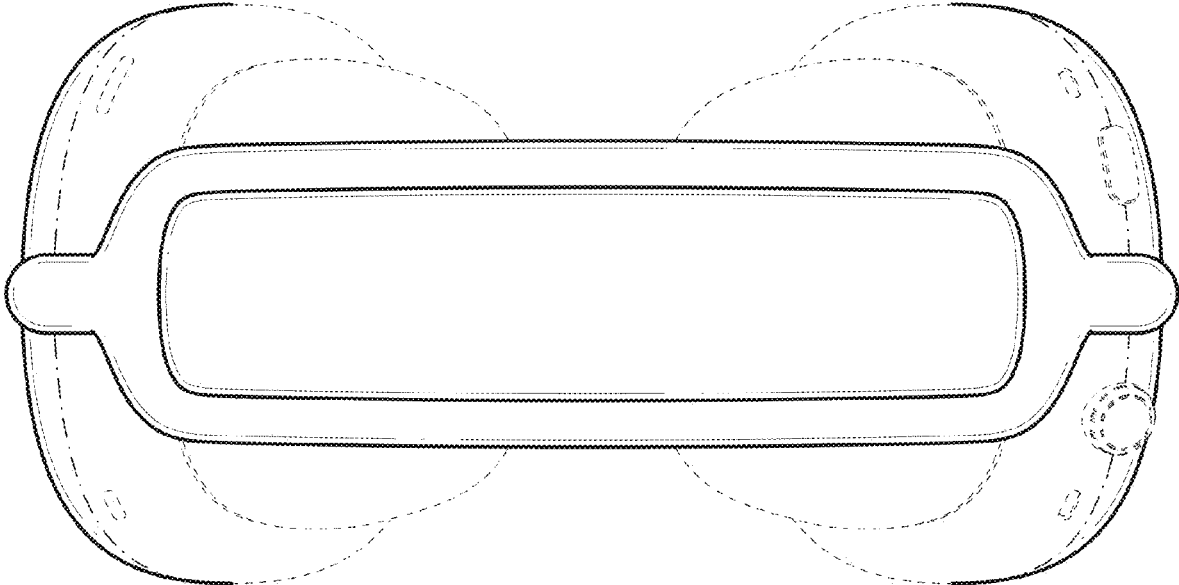


FIG. 7

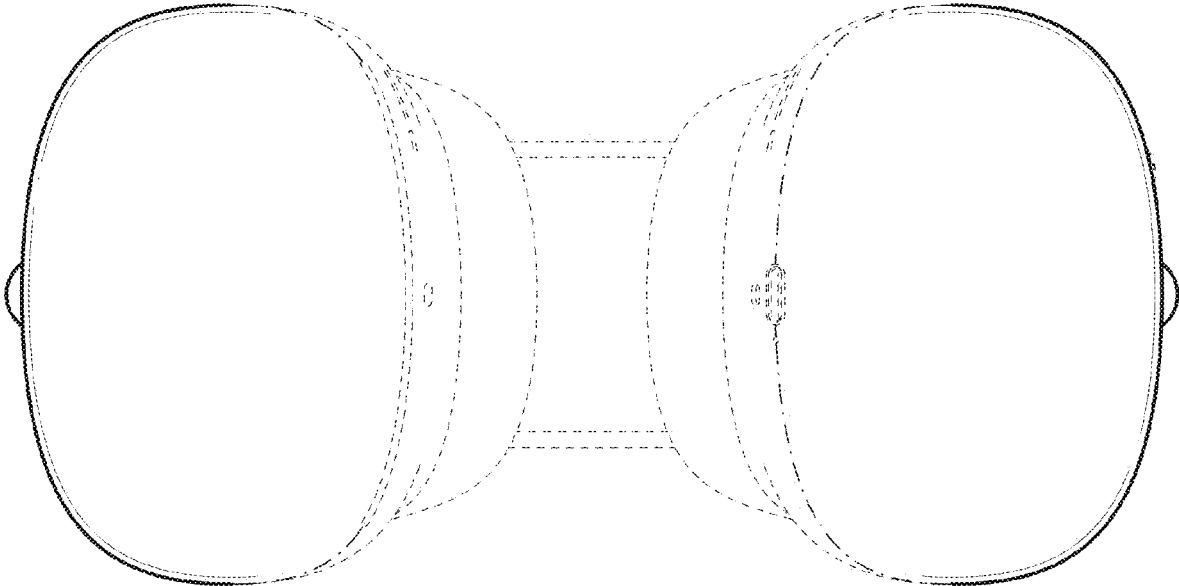


FIG. 8