



US00D782821S

(12) **United States Design Patent**
Fiorello

(10) **Patent No.:** **US D782,821 S**

(45) **Date of Patent:** **** Apr. 4, 2017**

- (54) **STORAGE BAG**
- (71) Applicant: **Kimberly Song Fiorello**, Greenwich, CT (US)
- (72) Inventor: **Kimberly Song Fiorello**, Greenwich, CT (US)
- (**) Term: **14 Years**
- (21) Appl. No.: **29/525,430**

D344,407 S *	2/1994	Derrickson	D3/245
D451,378 S *	12/2001	Kinigakis	D9/709
D541,667 S *	5/2007	Pokusa	D9/709
D669,272 S *	10/2012	Yang	D3/303
D687,717 S *	8/2013	Ewart	D9/707
D706,539 S *	6/2014	Hondos	D3/303
D709,701 S *	7/2014	Coleman	D3/303
D713,644 S *	9/2014	Johnson	D3/303
D719,346 S *	12/2014	Thomson	D3/206
D727,027 S *	4/2015	Winters	D3/301
D755,504 S *	5/2016	Thomson	D3/206

* cited by examiner

- (22) Filed: **Apr. 29, 2015**
- (51) **LOC (10) Cl.** **03-01**
- (52) **U.S. Cl.**
USPC **D3/301**
- (58) **Field of Classification Search**
USPC D3/234, 255, 271.9, 320, 256, 262, 279,
D3/299, 301, 303, 318, 319, 273, 289,
D3/292, 294-296, 232, 244; D9/420, 424
CPC .. A45C 1/00; A45C 1/02; A45C 1/024; A45C
1/08; A45C 3/00; A45C 3/10; A45C
2003/001; A45C 2011/003; A45C 5/00;
A45C 7/00; A45C 7/0018; A45C 7/0054;
A45C 7/0059; A45C 7/0095; A45C
2200/00; A45C 13/00; A45C 13/001;
A45C 13/002; A45C 13/08; A45C 11/24;
A45F 3/00; A45F 3/02; A45F 3/04; A45F
3/06; A45F 2003/001; A45F 2003/002;
A45F 2003/006; A45F 2200/00; A45F
2200/0525

Primary Examiner — Sandra Snapp
Assistant Examiner — Holly E Thurman
 (74) *Attorney, Agent, or Firm* — Dunlap Bennett & Ludwig PLLC

See application file for complete search history.

(56) **References Cited**

U.S. PATENT DOCUMENTS

- 4,186,786 A * 2/1980 Kirkpatrick B65D 33/255
383/63
- D265,149 S * 6/1982 Romano D3/303

(57) **CLAIM**

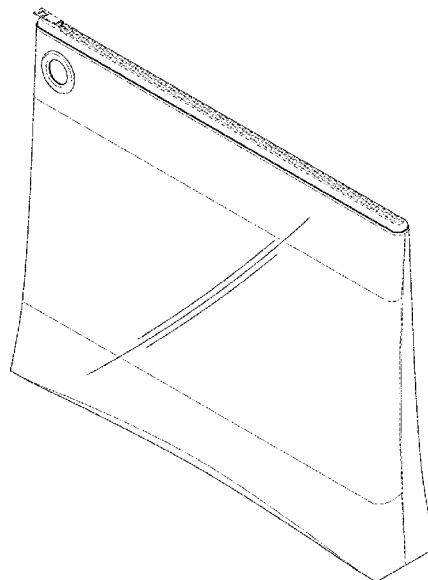
The ornamental design for a storage bag, as shown and described.

DESCRIPTION

FIG. 1 is a top front perspective view of a storage bag;
 FIG. 2 is a front elevation view thereof, the rear elevation view being a mirror image thereof without the two horizontal seams;
 FIG. 3 is a left side elevation view thereof; the right side elevation view being a mirror image thereof;
 FIG. 4 is a top plan view thereof;
 FIG. 5 is a bottom plan view thereof; and,
 FIG. 6 is a top plan view of the storage bag shown in an open configuration.

The broken lines shown in the drawings illustrate portions of the storage bag that form no part of the claimed design.

1 Claim, 3 Drawing Sheets



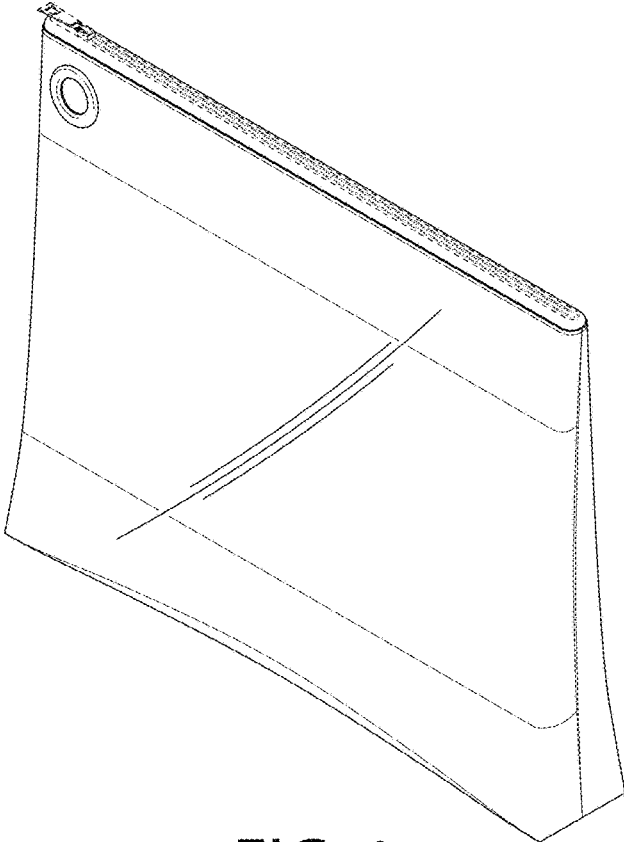


FIG. 1

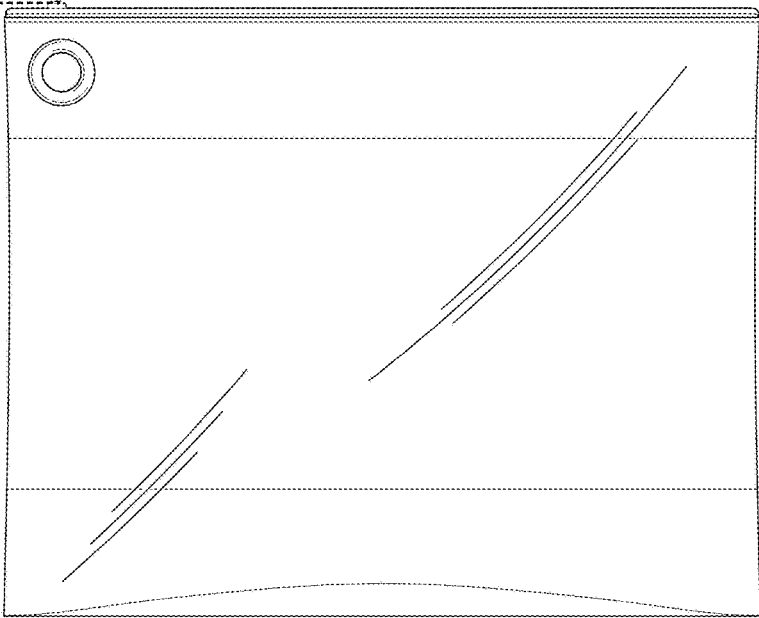


FIG. 2

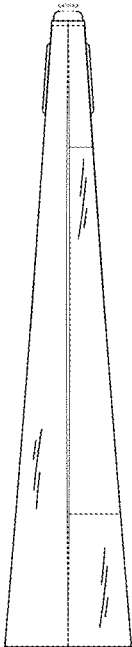


FIG. 3

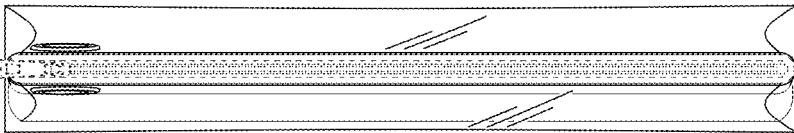


FIG. 4

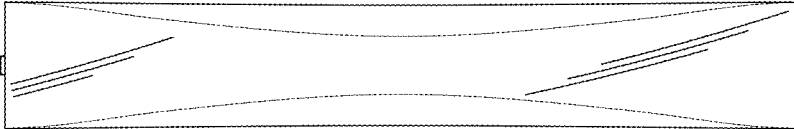


FIG. 5

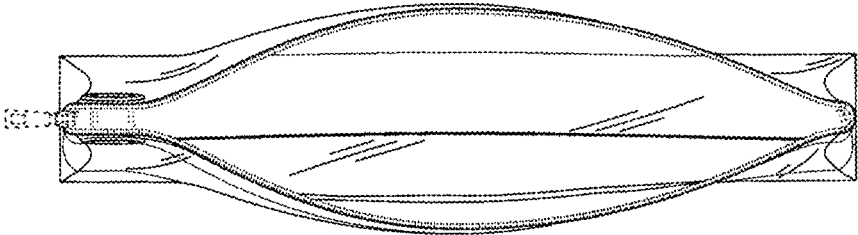


FIG. 6