



US00D700044S

(12) **United States Design Patent**  
**Goodman et al.**

(10) **Patent No.:** **US D700,044 S**

(45) **Date of Patent:** **\*\* Feb. 25, 2014**

(54) **DOUBLE HOOK**

(71) Applicant: **Spectrum Diversified Designs, Inc.**,  
Streetsboro, OH (US)

(72) Inventors: **Sheldon H. Goodman**, Solon, OH (US);  
**Phaysouk Xayoiphonh**, Akron, OH  
(US)

(73) Assignee: **Spectrum Diversified Designs, Inc.**,  
Streetsboro, OH (US)

(\*\*) Term: **14 Years**

(21) Appl. No.: **29/447,193**

(22) Filed: **Mar. 1, 2013**

(51) **LOC (10) Cl.** ..... **08-05**

(52) **U.S. Cl.**

USPC ..... **D8/372; D8/367**

(58) **Field of Classification Search**

USPC ..... D8/367, 354, 349, 373, 372; D6/323;  
248/301-304, 339, 205.3

See application file for complete search history.

(56) **References Cited**

U.S. PATENT DOCUMENTS

D317,858 S \* 7/1991 Hoskinson et al. .... D8/370  
D319,002 S \* 8/1991 Mirza et al. .... D8/373

D432,316 S \* 10/2000 Duggan ..... D6/317  
D524,636 S \* 7/2006 Burnett ..... D8/370  
D557,120 S \* 12/2007 Snell ..... D8/372  
D591,143 S \* 4/2009 Ernst et al. .... D8/372  
D613,588 S \* 4/2010 Goodman et al. .... D8/367  
D614,480 S \* 4/2010 Goodman et al. .... D8/372  
D635,846 S \* 4/2011 Klein et al. .... D8/372  
D646,960 S \* 10/2011 Goodman et al. .... D8/372  
D680,421 S \* 4/2013 Martin et al. .... D8/372

\* cited by examiner

*Primary Examiner* — Cynthia Underwood

(74) *Attorney, Agent, or Firm* — Benesch Friedlander  
Coplan & Aronoff LLP

(57) **CLAIM**

The ornamental design for a double hook, as shown and  
described.

**DESCRIPTION**

FIG. 1 is a perspective view of a double hook showing a new  
design;

FIG. 2 is a front view of the double hook of FIG. 1;

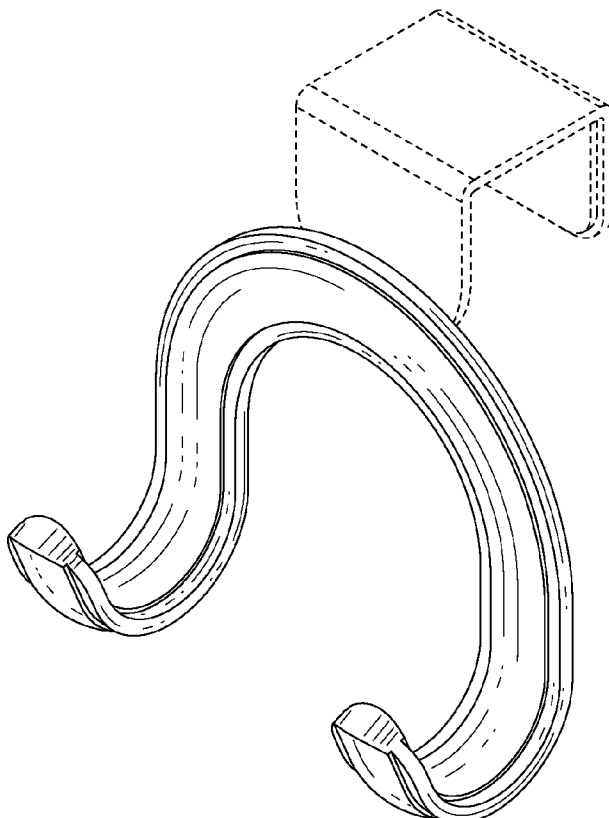
FIG. 3 is a side view of the double hook of FIG. 1;

FIG. 4 is a rear view of the double hook of FIG. 1; and,

FIG. 5 is a cross-sectional view taken along line 5-5 in FIG. 4.

The components of the display shown in broken lines illus-  
trate portions of the double hook which form no part of the  
claimed design.

**1 Claim, 2 Drawing Sheets**



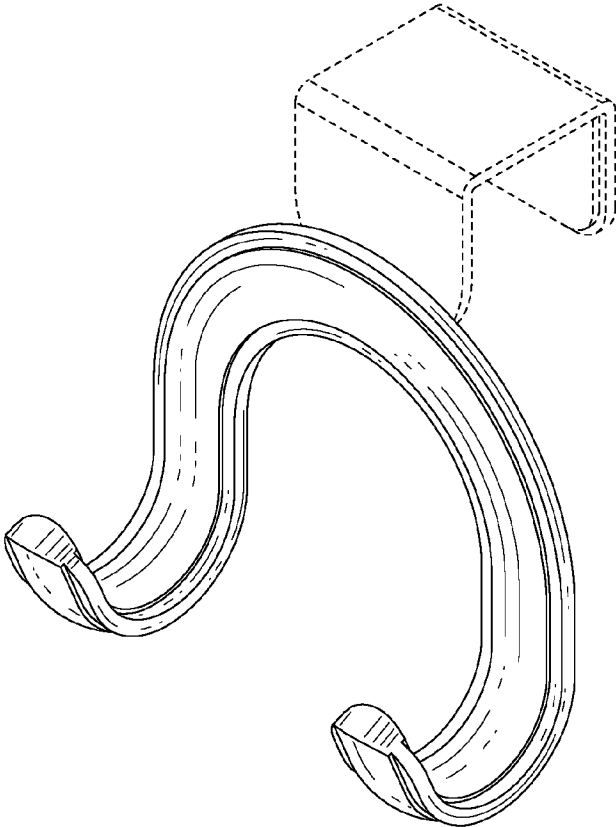


FIG 1

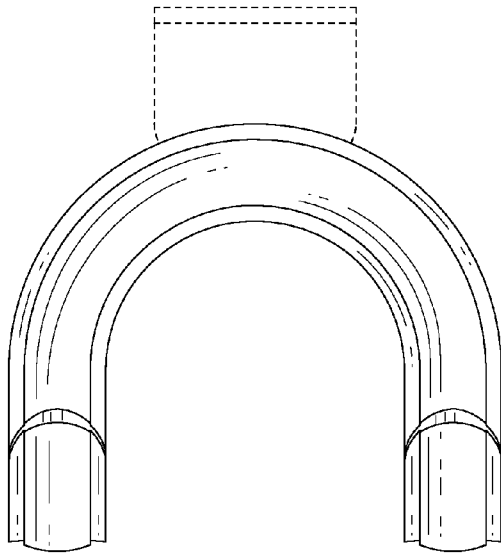


FIG 2

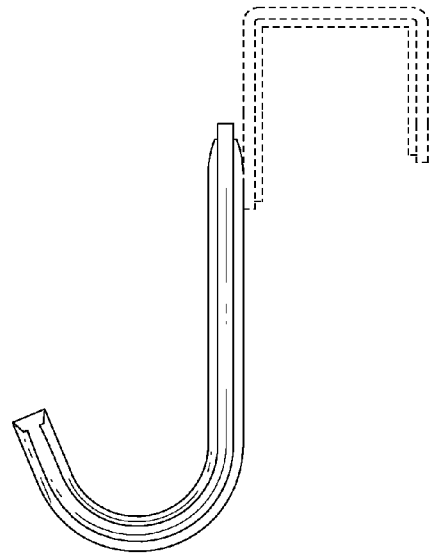


FIG 3

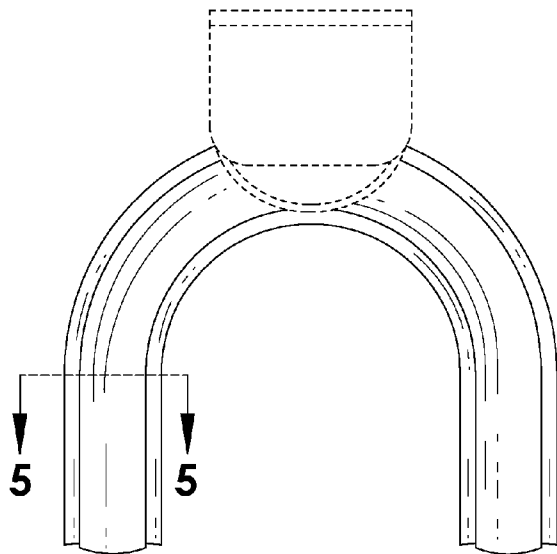


FIG 4



FIG 5