



(12) **United States Design Patent**
Amanatullah et al.

(10) **Patent No.:** **US D1,082,015 S**
(45) **Date of Patent:** **** Jul. 1, 2025**

(54) **FOOT SPLINT**

FOREIGN PATENT DOCUMENTS

(71) Applicant: **Arthrology Designs, LLC**, Menlo Park, CA (US)

GB 344590 A 3/1931
GB 2281023 A 2/1995

(72) Inventors: **Derek Amanatullah**, Menlo Park, CA (US); **Warren Mckenzie White**, Soquel, CA (US)

OTHER PUBLICATIONS

Braceability, BraceAbility Turf Toe Brace, Published on: Sep. 21, 2022, Amazon.com, Retrieved from Internet: <https://www.amazon.com/BraceAbility-Turf-Brace-Medical-Grade-Hyperextended/dp/B0BG3BKDDF?th=1> (Year: 2022).*

(Continued)

(**) Term: **15 Years**

Primary Examiner — John R Yeh

(21) Appl. No.: **29/788,488**

Assistant Examiner — Edward P Jones

(22) Filed: **Jun. 8, 2021**

(74) *Attorney, Agent, or Firm* — Knobbe, Martens, Olson & Bear, LLP

(51) **LOC (15) Cl.** **24-02**

(57) **CLAIM**

(52) **U.S. Cl.**
USPC **D24/192**

The ornamental design for a foot splint, as shown and described.

(58) **Field of Classification Search**
USPC D24/169, 143, 189, 190, 191, 200, 206, D24/231, 232, 192; D29/101.2, 102, D29/120.1, 121.2; D30/152; D3/215; D11/87, 200–201, 218, 231–232; D2/625, 627
CPC A61B 17/132; A61B 17/1327; A61B 17/1322; A61H 11/00; A61H 2011/005; A61F 5/0111; A61F 5/01; A61F 5/05825; B32B 3/06

DESCRIPTION

See application file for complete search history.

FIG. 1 is a perspective top view of a foot splint, according to a first embodiment of my new design;
FIG. 2 is a front view thereof;
FIG. 3 is a rear view thereof;
FIG. 4 is a right side view thereof;
FIG. 5 is a left side view thereof;
FIG. 6 is a top view thereof; and
FIG. 7 is a bottom view thereof.
FIG. 8 is a perspective top view of a foot splint, according to a second embodiment of my new design;
FIG. 9 is a front view thereof;
FIG. 10 is a rear view thereof;
FIG. 11 is a right side view thereof;
FIG. 12 is a left side view thereof;
FIG. 13 is a top view thereof; and,
FIG. 14 is a bottom view thereof.

Broken lines are used to illustrate features of the foot splint that form no part of the claimed design.

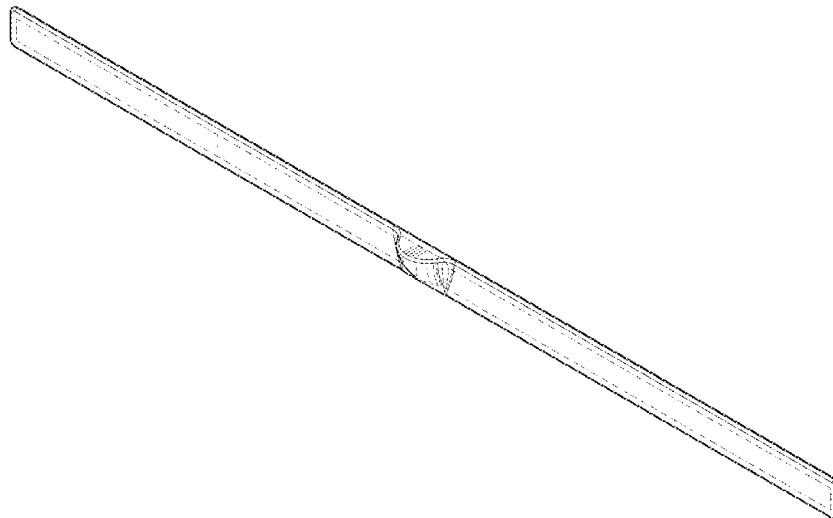
(56) **References Cited**

U.S. PATENT DOCUMENTS

643,068 A 2/1900 Pond
2,523,606 A 9/1950 Young
2,596,038 A 5/1952 Mayer
3,049,120 A 8/1962 Edit
3,063,446 A 11/1962 Levitt
3,219,032 A 11/1965 Levitt

(Continued)

1 Claim, 6 Drawing Sheets



(56)

References Cited

U.S. PATENT DOCUMENTS

4,329,982 A 5/1982 Heaney
 4,392,487 A * 7/1983 Selner A61F 13/066
 602/27
 4,566,447 A 1/1986 Deis
 4,644,940 A 2/1987 Nakamura
 4,753,228 A * 6/1988 Selner A61F 13/066
 36/89
 4,869,499 A 9/1989 Schiraldo
 D320,825 S * 10/1991 Scott D24/192
 5,257,969 A 11/1993 Mance
 5,772,621 A 6/1998 Unruh
 D438,974 S * 3/2001 Crapps D24/206
 6,908,445 B2 6/2005 Watts
 7,396,338 B2 7/2008 Huber
 D625,829 S * 10/2010 Arbesman D24/190
 7,996,924 B2 8/2011 Wright
 D685,484 S * 7/2013 Brambilla D24/190
 8,663,178 B2 3/2014 De Luca
 9,302,637 B2 4/2016 Amanatullah
 D760,395 S * 6/2016 Barbaric D24/186
 9,750,631 B2 9/2017 Amanatullah

D801,542 S * 10/2017 Anderson D24/192
 D865,986 S * 11/2019 Cryan D24/214
 D880,110 S * 4/2020 Glickfield D2/624
 D950,079 S * 4/2022 Kersen D24/192
 D986,425 S * 5/2023 Zeng D24/192
 D1,015,547 S * 2/2024 Bello D24/189
 2005/0186387 A1 8/2005 Gallant
 2009/0062714 A1 3/2009 Trujillo
 2009/0264803 A1 10/2009 Darby et al.
 2010/0262057 A1 10/2010 Chandrasekar
 2013/0060181 A1 3/2013 Fontaine
 2013/0276331 A1 10/2013 Steel
 2014/0207042 A1* 7/2014 Amanatullah A61F 5/042
 602/28
 2016/0287262 A1* 10/2016 Kirchner A61B 17/132

OTHER PUBLICATIONS

Braceability, BraceAbility Turf Toe Brace, Published on: Mar. 10, 2020, Amazon.com, Retrieved from Internet: <https://www.amazon.com/BraceAbility-Turf-Toe-Brace-Straightener/dp/B085QNR3FT?th=1> (Year: 2020).*

* cited by examiner

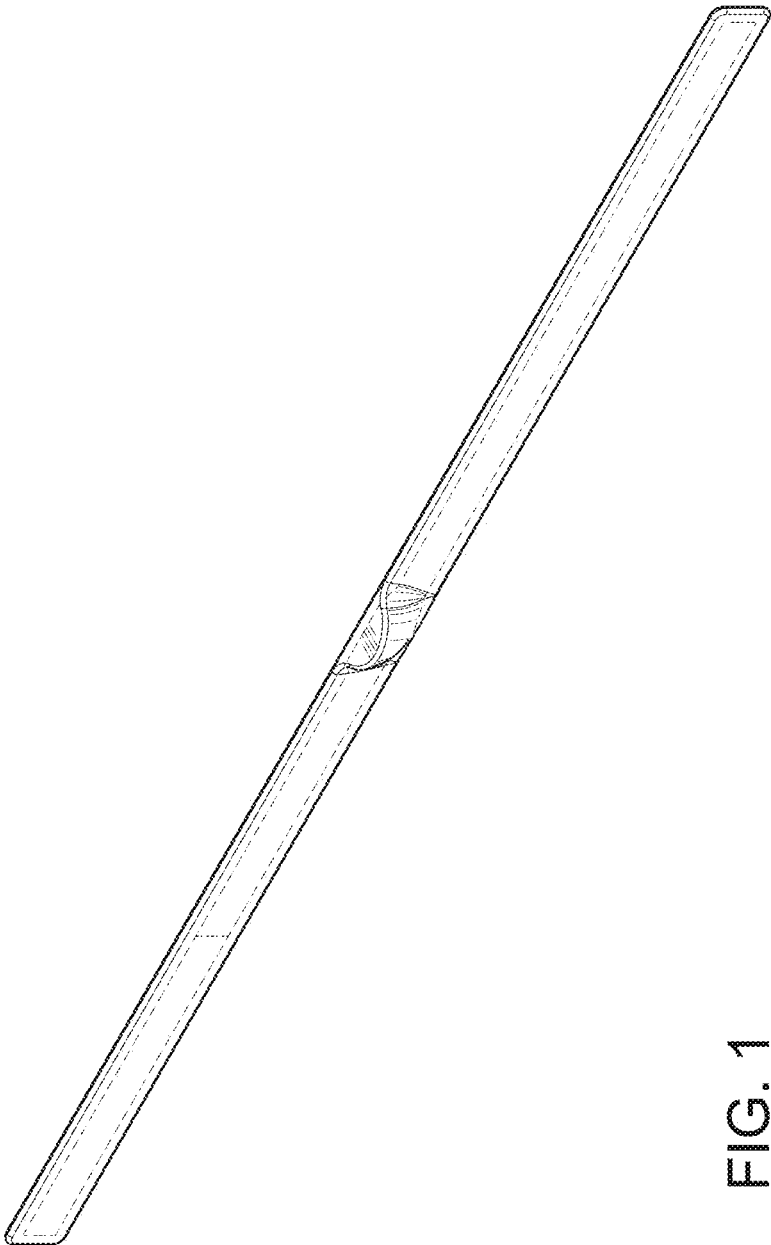


FIG. 1



FIG. 2



FIG. 3



FIG. 4



FIG. 5

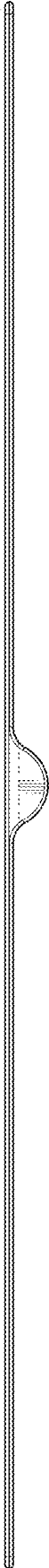


FIG. 6



FIG. 7

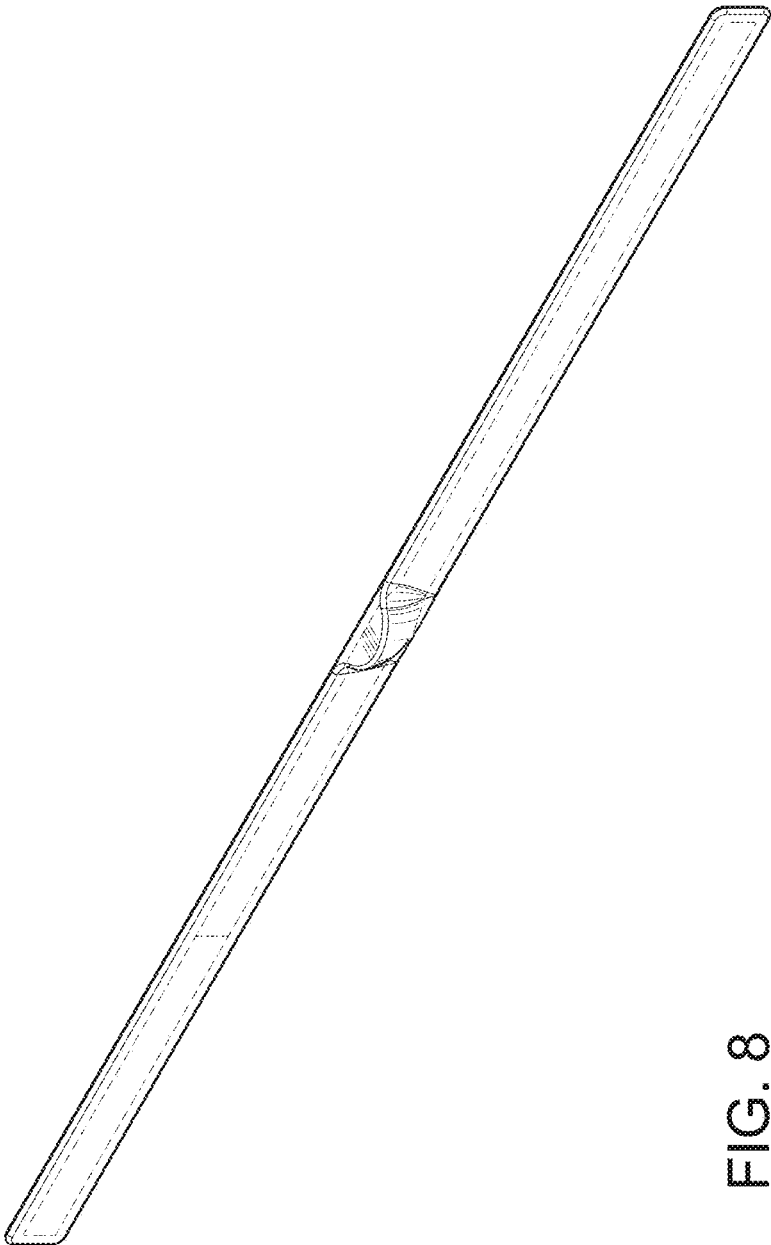


FIG. 8



FIG. 9

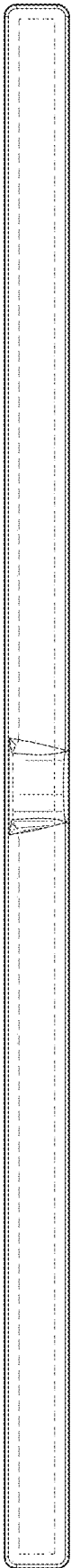


FIG. 10



FIG. 11



FIG. 12

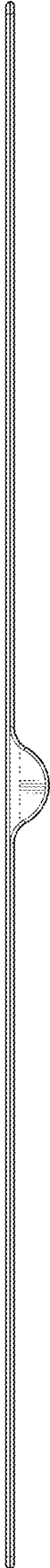


FIG. 13



FIG. 14