



US00D502016S

(12) **United States Design Patent** (10) **Patent No.:** **US D502,016 S**
Goodworth (45) **Date of Patent:** **** Feb. 22, 2005**

(54) **DRAFTING STOOL WITH ARMS**

FOREIGN PATENT DOCUMENTS

(75) Inventor: **William H. Goodworth**, Davenport, IA (US)

BE 524012 11/1953
CA 1184108 3/1985
DE 626080 8/1936

(73) Assignee: **HON Technology Inc.**, Muscatine, IA (US)

OTHER PUBLICATIONS

(**) Term: **14 Years**

www.steelcase.com, Jul. 18, 2001, 1 page.
www.troelsgrum-schwensen.com, Jul. 16, 2001, 2 pages.
www.keilhauer.com, Jul. 18, 2001, 1 page.
www.fixturesfurniture.com, Aug. 8, 2001, 2 pages.
www.virco.com, Jul. 16, 2001, 1 page.
www.virco.com, Aug. 8, 2001, 1 page.
www.visualibrary.com, Feb. 27, 2002, 1 page.
www.troelsgrum-schwensen.com, Mar. 6, 2002, 1 page.
www.tribu-design.com, Aug. 13, 2001, 1 page.
www.plantationpatterns.com, Oct. 1, 2001, 2 pages.
www.unitedchair.com, 7/01, 1 page.
www.meritalia.it.it/sedie/eng, Aug. 16, 2001, 1 page.
www.troelsgrum-schwensen.com, Jul. 24, 2001, 1 page.
www.scottriceok.com, Jul. 16, 2001, 1 page.
www.psgerry.com, Sep. 27, 2001, 2 pages.

(21) Appl. No.: **29/181,994**

(22) Filed: **May 19, 2003**

(51) **LOC (7) Cl.** **06-01**

(52) **U.S. Cl.** **D6/366; D6/360**

(58) **Field of Search** D6/334, 335, 360,
D6/364, 365, 366, 367, 500, 501, 502;
297/411.2, 423.1, 461

(56) **References Cited**

U.S. PATENT DOCUMENTS

1,950,226 A 3/1934 Cable
2,602,489 A 7/1952 Holten
3,475,054 A 10/1969 Flint
D274,675 S * 7/1984 Diffrient D6/366
D277,443 S * 2/1985 Murry D6/366
D279,246 S 6/1985 Murry
D303,597 S 9/1989 Kaminski
D303,598 S 9/1989 Tornero
D309,382 S * 7/1990 Buhk D6/360
D366,089 S 1/1996 Ackerson, Jr.
5,697,673 A 12/1997 Favaretto
D401,453 S 11/1998 Holt
D408,161 S 4/1999 Caruso
D435,746 S 1/2001 Diffrient
D438,392 S 3/2001 Lucci et al.
D439,452 S 3/2001 Turner et al.
D440,797 S 4/2001 Norman
D447,351 S 9/2001 Sato
D453,633 S 2/2002 Diffrient
D456,627 S * 5/2002 Pearce et al. D6/366
D465,938 S * 11/2002 Huang D6/366
D475,210 S * 6/2003 Tsai D6/366
D483,193 S * 12/2003 Goodworth D6/366
2002/0005658 A1 1/2002 Piretti

* cited by examiner

Primary Examiner—Gary D. Watson
(74) *Attorney, Agent, or Firm*—Joseph H. Golant; Jones Day

(57) **CLAIM**

The ornamental design for a drafting stool with arms, as shown and described.

DESCRIPTION

FIG. 1 is a front isometric view of the drafting stool with arms showing the new design.
FIG. 2 is a front view thereof.
FIG. 3 is a left side elevation view thereof.
FIG. 4 is a right side elevation view thereof.
FIG. 5 is a rear view thereof.
FIG. 6 is a top plan view thereof; and,
FIG. 7 is a bottom plan view thereof.

1 Claim, 4 Drawing Sheets

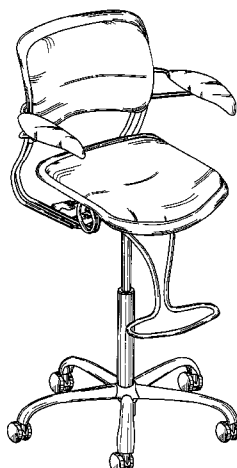


Fig. 1

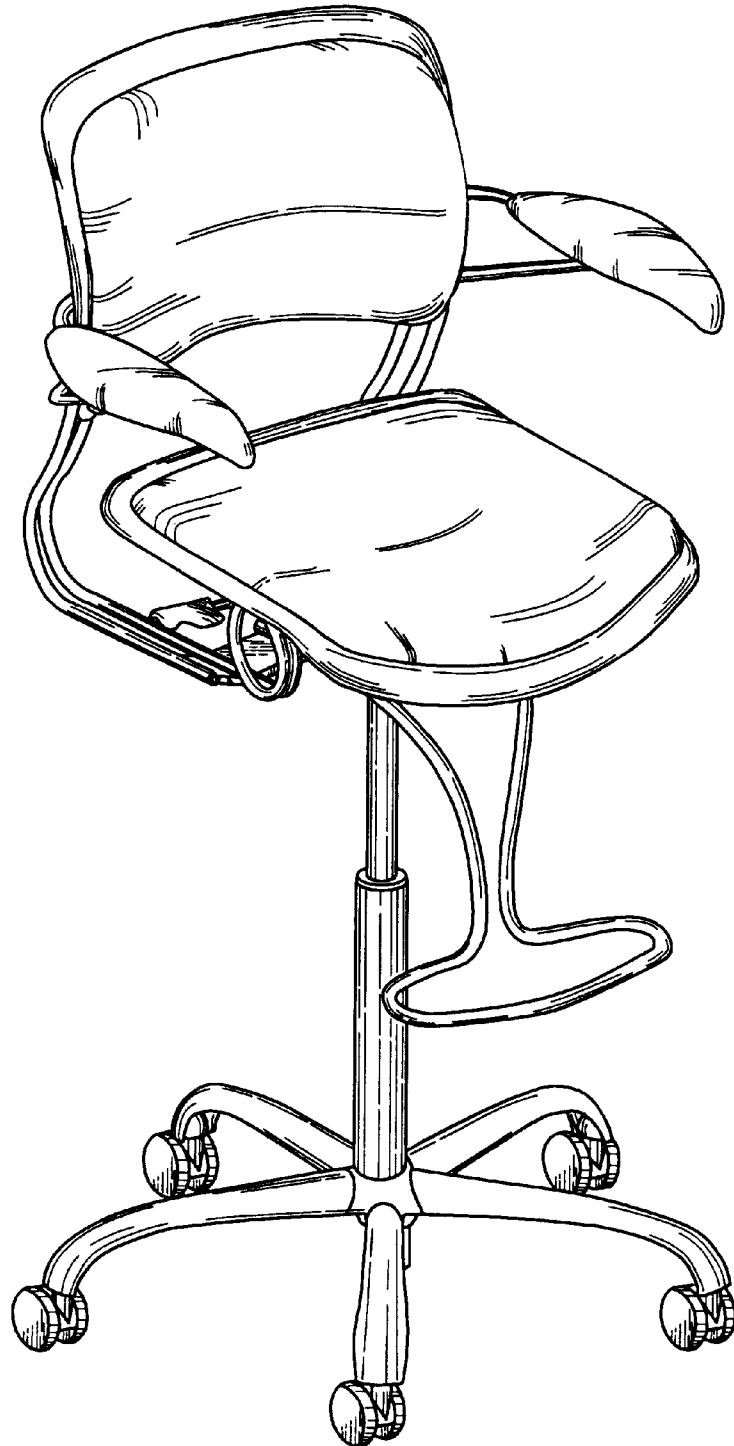


Fig. 2

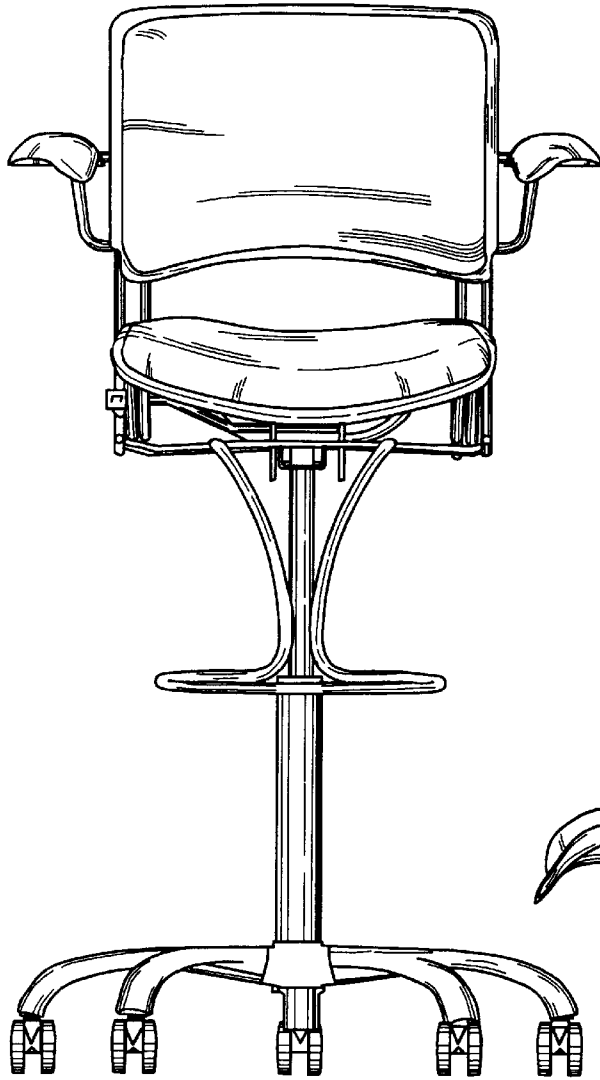


Fig. 3

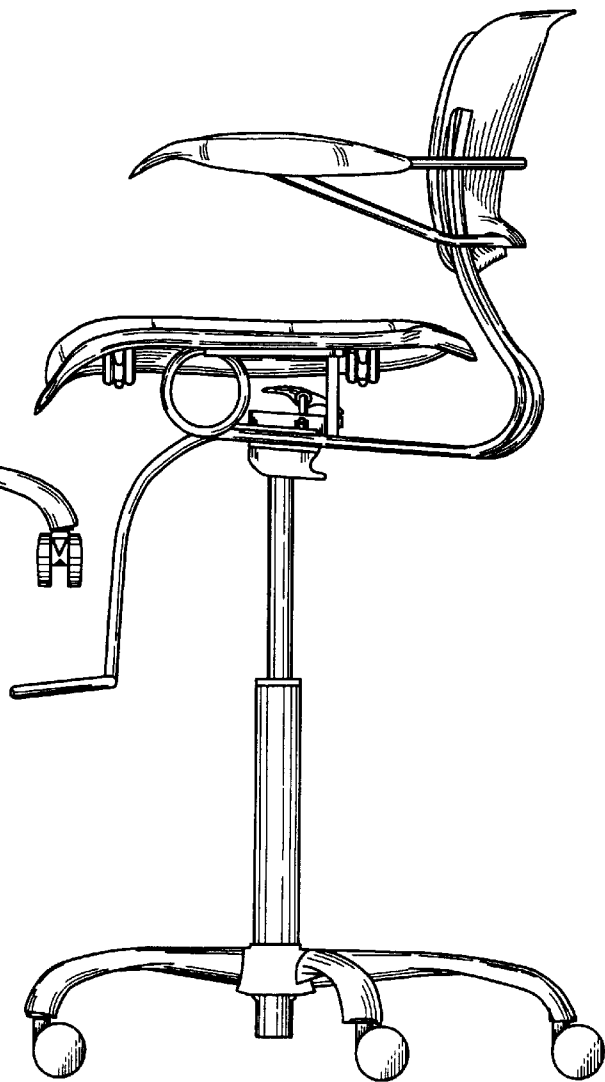


Fig. 4

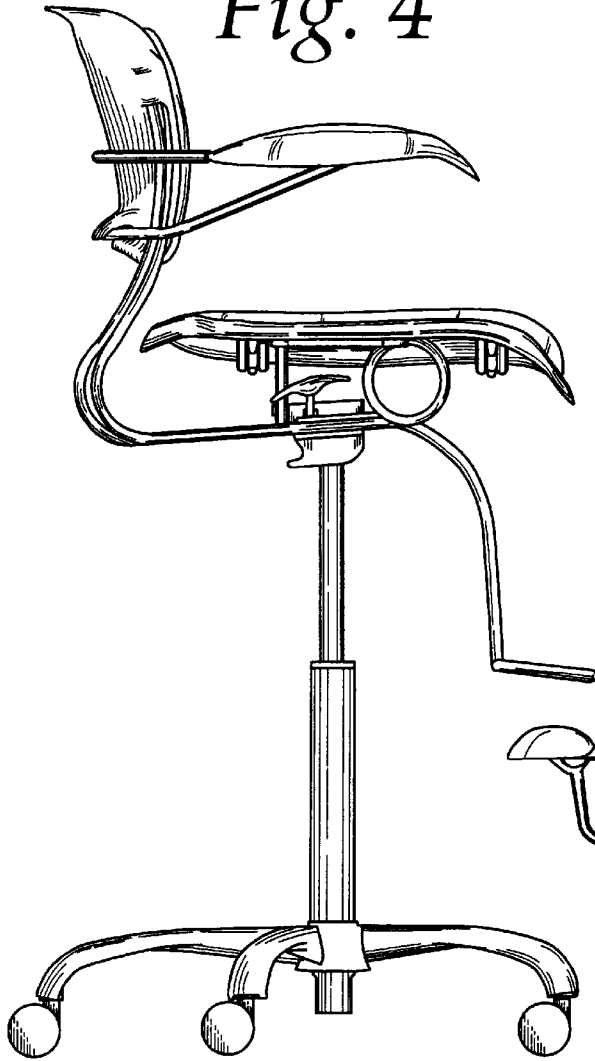


Fig. 5

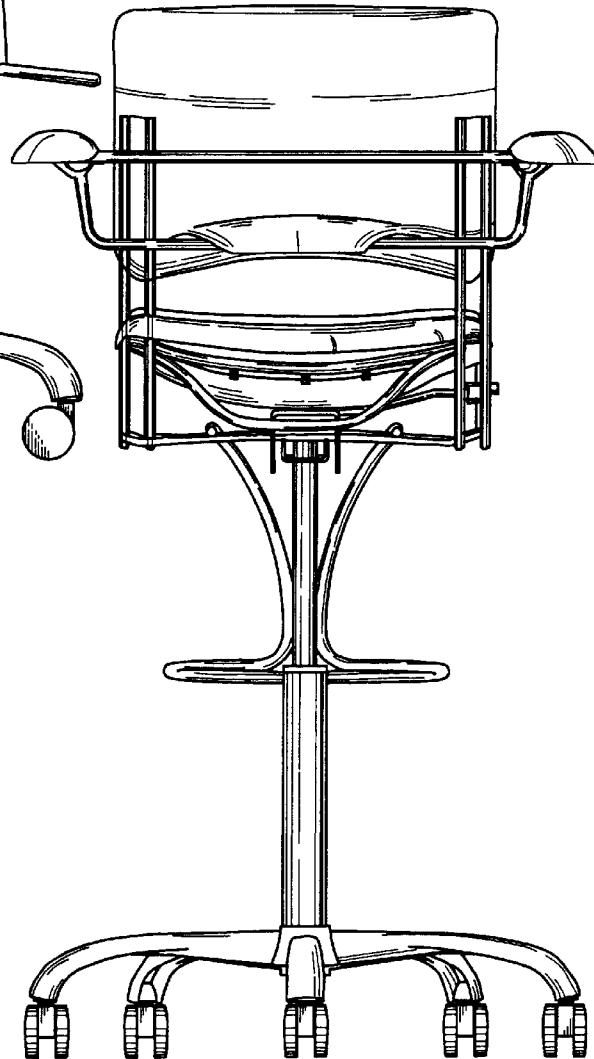


Fig. 6

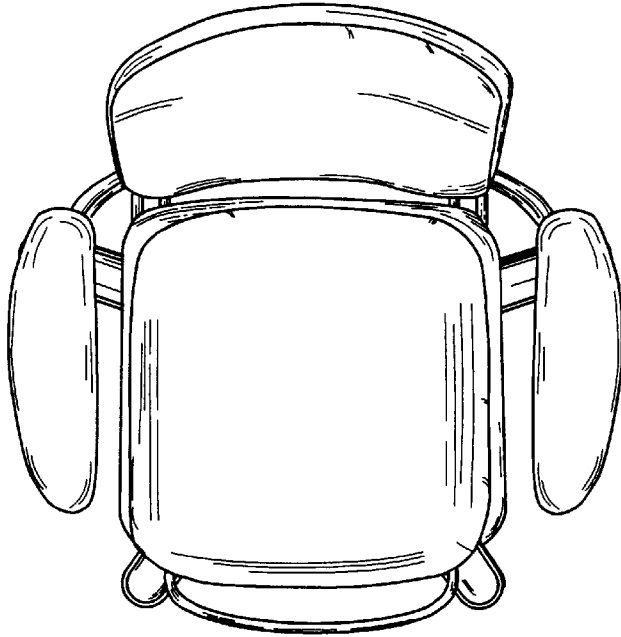


Fig. 7

