



US00D346465S

United States Patent [19]

[11] Patent Number: **Des. 346,465**

Russell et al.

[45] Date of Patent: **** Apr. 26, 1994**

- [54] **PET FOOD AND WATER BOWL**
- [76] Inventors: **David Russell; Cherie Russell**, both of
3550 Iris Cir., Seal Beach, Calif.
90740
- [**] Term: **14 Years**
- [21] Appl. No.: **948,724**
- [22] Filed: **Sep. 14, 1992**
- [52] U.S. Cl. **D30/130**
- [58] Field of Search 119/61, 51.5, 72, 74;
D30/121, 129-133; D22/122

4,896,627 1/1990 Riddell 119/51.5
 5,125,363 6/1992 McGaha 119/61

FOREIGN PATENT DOCUMENTS

8401729 12/1985 Netherlands 119/51.5

Primary Examiner—A. Hugo Word
Assistant Examiner—Cathy Anne MacCormac
Attorney, Agent, or Firm—Charles H. Thomas

[57] CLAIM

The ornamental design for a pet food and water bowl, as shown and described.

DESCRIPTION

FIG. 1 is a perspective view of a pet food and water bowl illustrating our new design;
 FIG. 2 is a top plan view thereof;
 FIG. 3 is a side elevational view thereof, the opposite side being a mirror image of that shown;
 FIG. 4 is a bottom plan view thereof; and,
 FIG. 5 is a front elevational view thereof, the rear being identical thereto.

[56] References Cited

U.S. PATENT DOCUMENTS

D. 230,033	1/1974	Goldman	D30/130
D. 294,531	3/1988	Neunzig	D30/130
D. 299,771	2/1989	Kennedy	D30/130
D. 312,896	12/1990	Goetz	D30/130
D. 326,742	6/1992	Tart	D30/130
D. 335,940	5/1993	McGrath et al.	D30/130
4,128,080	12/1978	Haney	119/51.5

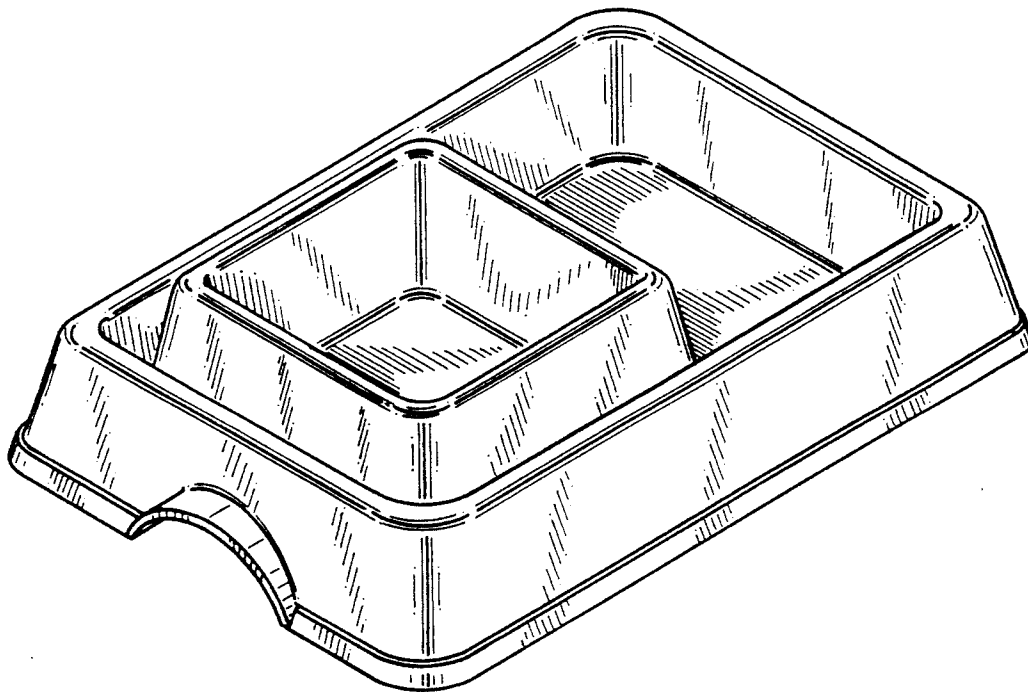


FIG-1

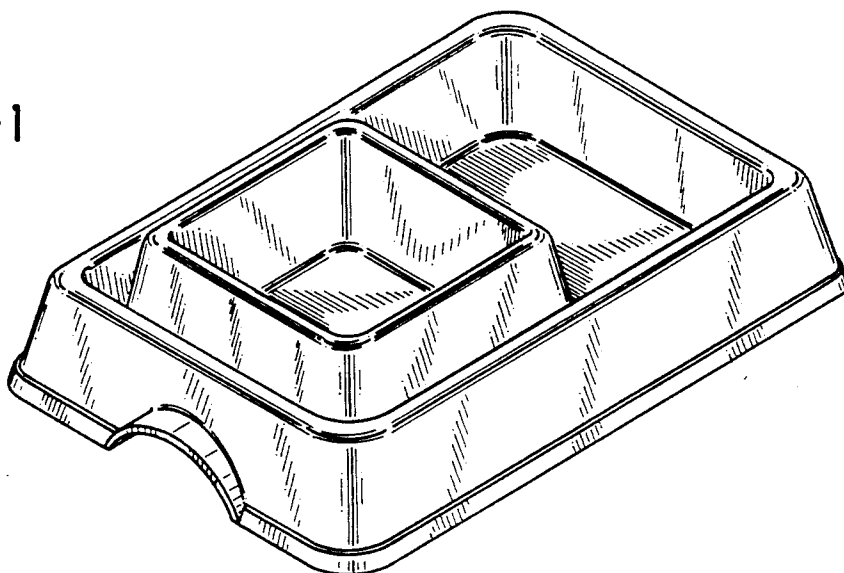


FIG-2

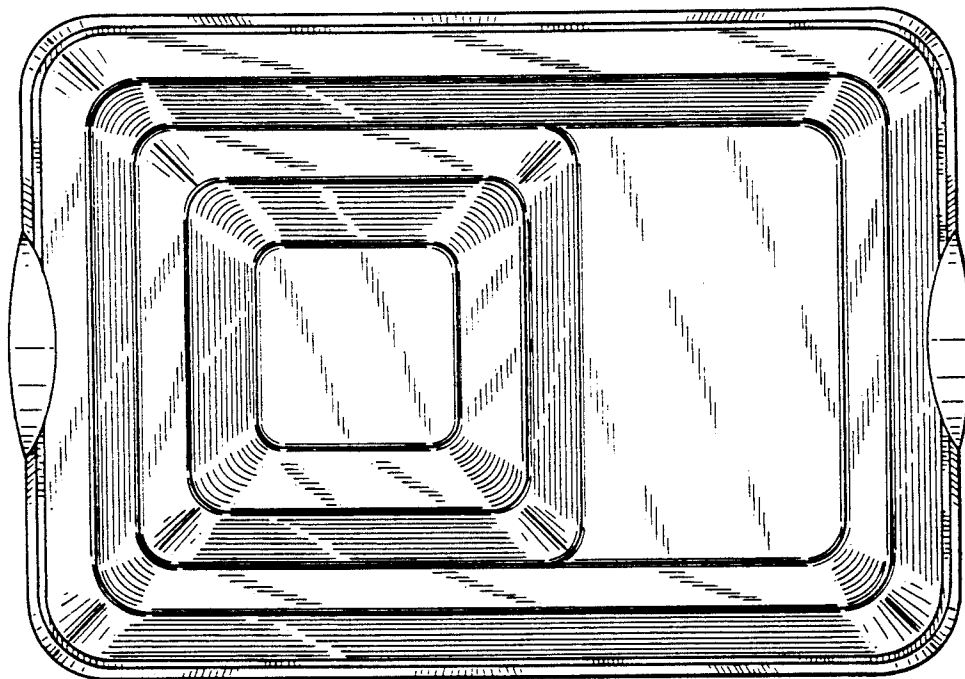


FIG-3

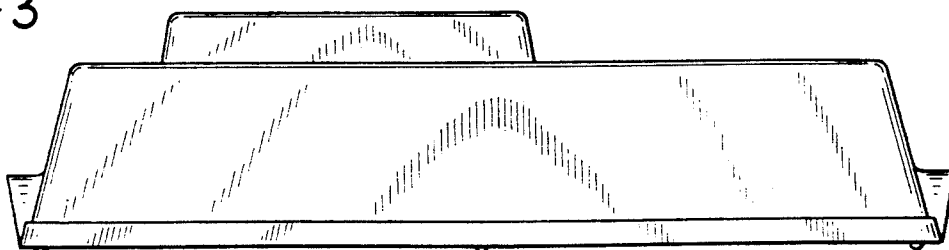


FIG-4

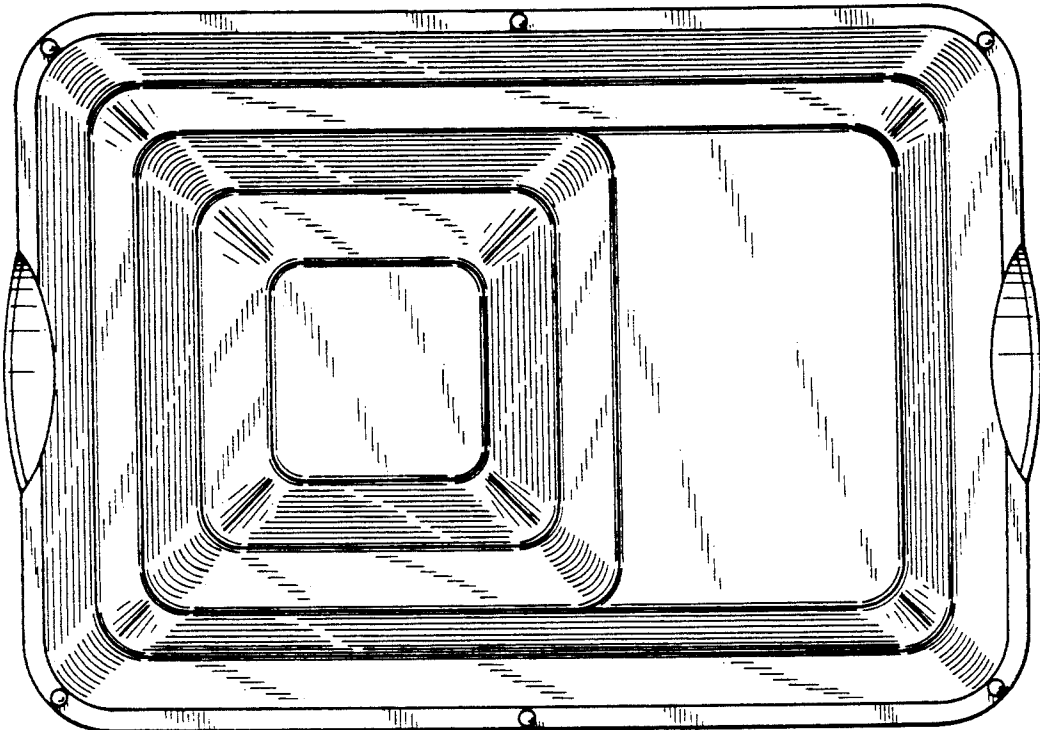


FIG-5

