



(12) **United States Design Patent**
Yan

(10) **Patent No.:** **US D1,069,050 S**
(45) **Date of Patent:** **** Apr. 1, 2025**

- (54) **ELBOW**
- (71) Applicant: **Anping County Kaixuan Stainless Steel Products Co., Ltd., Hebei (CN)**
- (72) Inventor: **Shaolong Yan, Hebei (CN)**
- (73) Assignee: **Anping County Kaixuan Stainless Steel Products Co., Ltd., Hengshui (CN)**
- (**) Term: **15 Years**
- (21) Appl. No.: **29/981,909**
- (22) Filed: **Jan. 3, 2025**
- (51) **LOC (15) Cl.** **23-01**
- (52) **U.S. Cl.**
USPC **D23/263; D23/262**
- (58) **Field of Classification Search**
USPC D23/259–264, 206, 207, 209, 213, 227, D23/229, 230, 235, 237, 244, 249, 253, D23/266–269, 307, 332, 341, 354, 363, D23/386; D8/2, 341, 343, 349, 374–375, D8/381–383, 397–399; D7/553.6, 554.2, D7/665, 667; D12/204, 207–208; D6/301, 313, 325, 328, 512, 545, 682.3, D6/702, 708.11
CPC E03C 1/023; E03C 2001/026; F04D 29/00; F04D 29/40; F04D 29/052; F04D 29/04; F04D 13/06; F16L 43/00; F16L 37/0925; F16L 11/00; F16L 9/02; F24H 9/146
See application file for complete search history.

D480,787	S	*	10/2003	Wilk, Jr.	D23/263
D482,103	S	*	11/2003	Snyder, Sr.	D23/263
D517,666	S	*	3/2006	Wilk, Jr.	D23/262
D652,122	S	*	1/2012	Bonhag	D23/263
D676,941	S	*	2/2013	Kluss	D23/262
D712,015	S	*	8/2014	Yu	D23/263
D729,909	S		5/2015	Castrigno		
D731,880	S	*	6/2015	Thrush	D8/382
D738,472	S	*	9/2015	Bednarz	D23/263
D771,780	S		11/2016	Scifres		
D831,174	S	*	10/2018	Lee	D23/263
D831,797	S	*	10/2018	Lee	D23/263
D835,245	S	*	12/2018	Salchi-Bakhtiari	D23/263
D851,739	S	*	6/2019	Naber	D23/263
D908,849	S	*	1/2021	Decaria	D23/263
D971,384	S	*	11/2022	You	D23/263
D999,884	S	*	9/2023	Lee	D23/263
D1,041,623	S	*	9/2024	Gobreski	D23/263
2001/0045748	A1	*	11/2001	Muto	F16L 37/0926 285/308

(Continued)

Primary Examiner — Jennifer Rivard
Assistant Examiner — Jonathan E Fiencke
(74) *Attorney, Agent, or Firm* — Nicholas Makridakis

(57) **CLAIM**

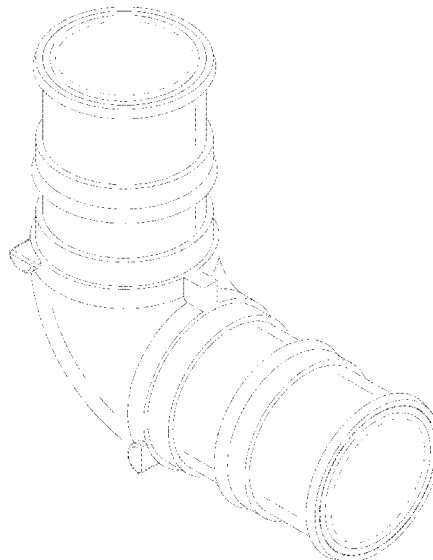
The ornamental design for an elbow, as shown and described.

DESCRIPTION

FIG. 1 is a perspective view of an elbow showing my new design;
FIG. 2 is another perspective view thereof;
FIG. 3 is a front elevation view thereof;
FIG. 4 is a back elevation view thereof;
FIG. 5 is a left side elevation view thereof;
FIG. 6 is a right side elevation view thereof;
FIG. 7 is a top plan view thereof; and,
FIG. 8 is a bottom plan view thereof.
The dash dot broken lines denote the boundaries of the claim and form no part thereof.

1 Claim, 8 Drawing Sheets

- (56) **References Cited**
U.S. PATENT DOCUMENTS
6,467,812 B1 * 10/2002 Klemm E04G 21/04
285/55
6,499,771 B1 * 12/2002 Snyder, Sr. F16L 37/0925
285/319



(56)

References Cited

U.S. PATENT DOCUMENTS

2002/0074801	A1*	6/2002	Chan	F16L 43/00 285/415
2009/0134619	A1*	5/2009	Houghton	F16L 43/00 285/39
2010/0244442	A1*	9/2010	Jones	F16L 37/0925 285/374
2020/0224802	A1*	7/2020	Rook	F16L 15/06

* cited by examiner

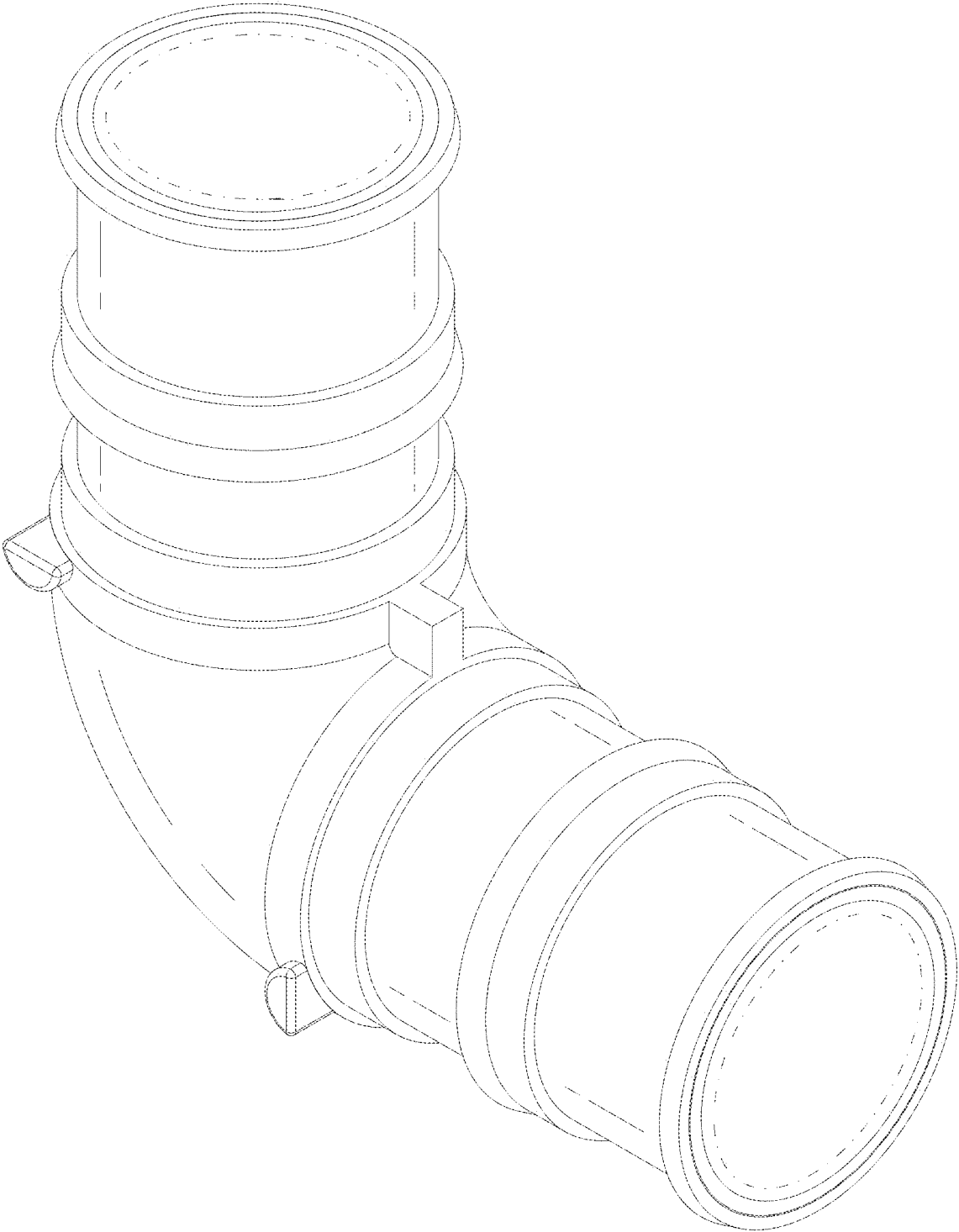


FIG. 1

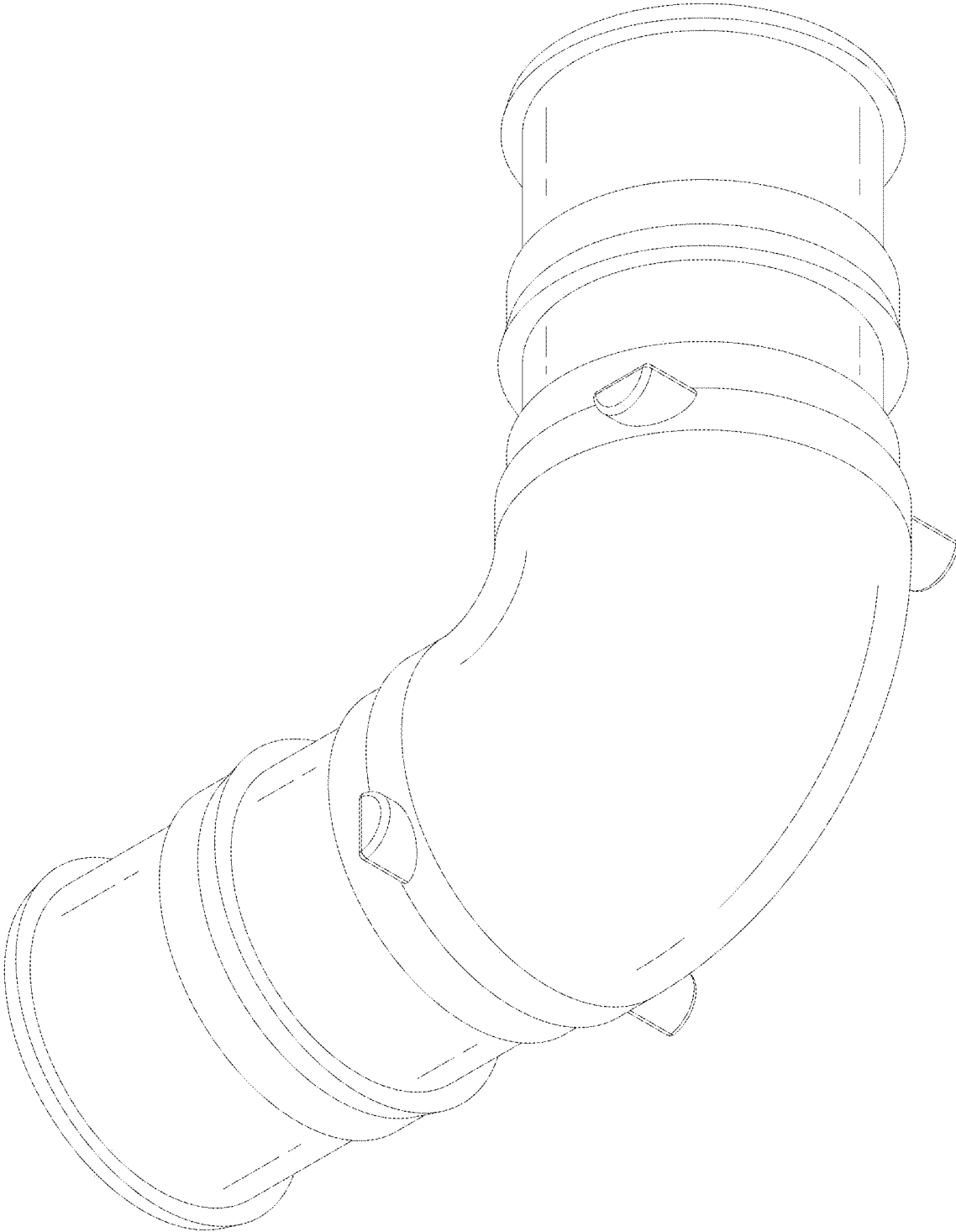


FIG. 2

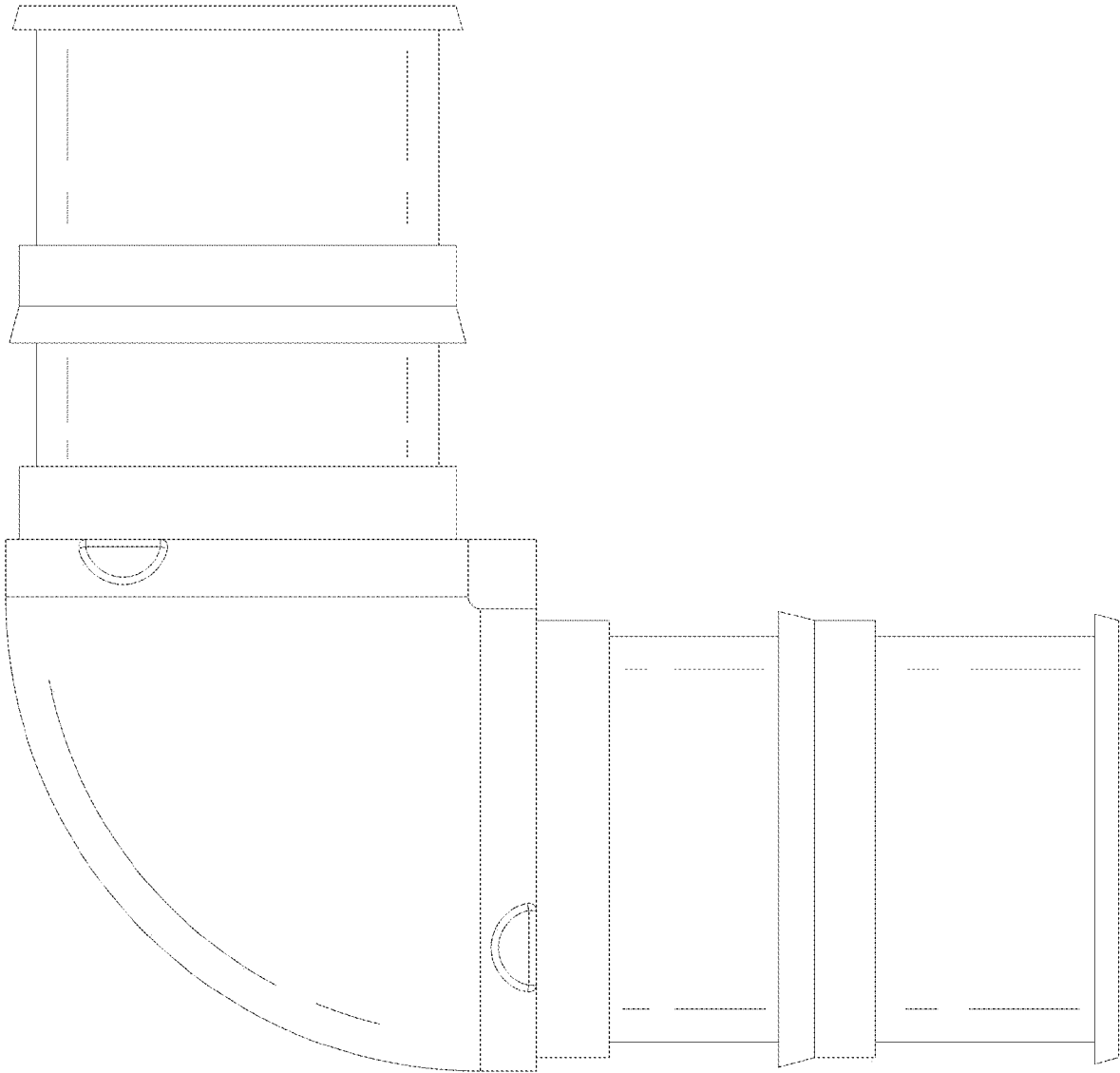


FIG. 3

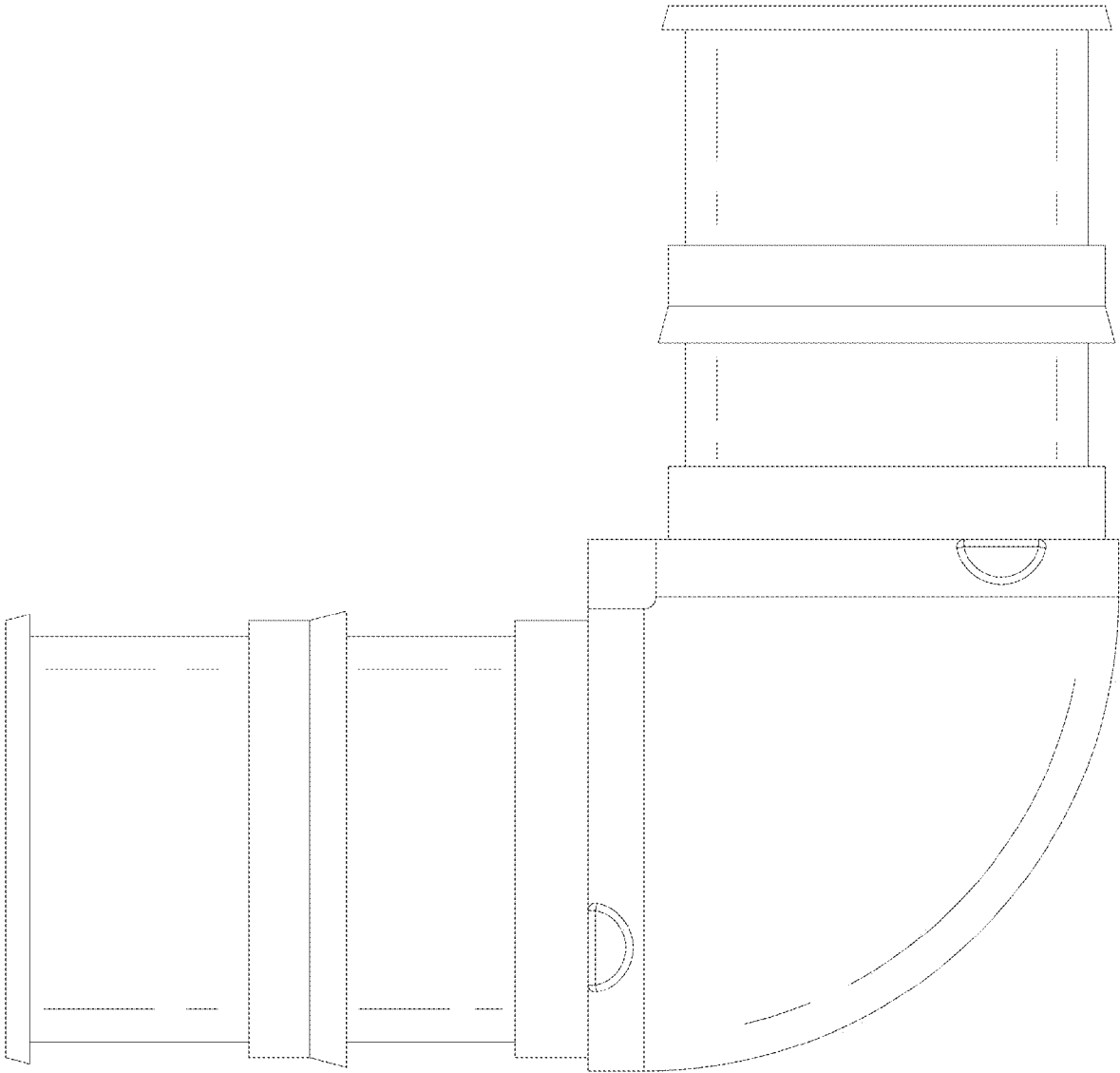


FIG. 4

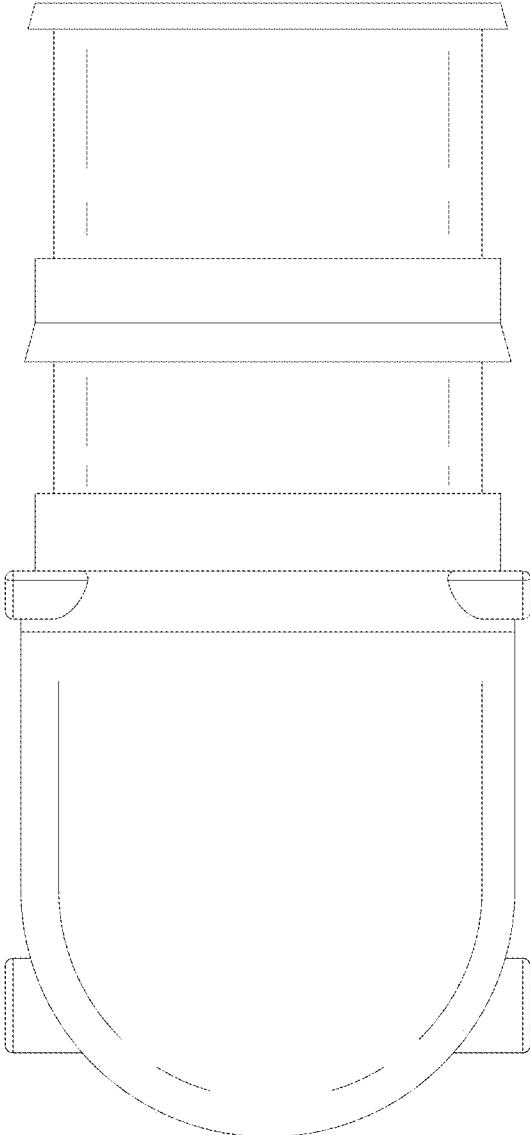


FIG. 5

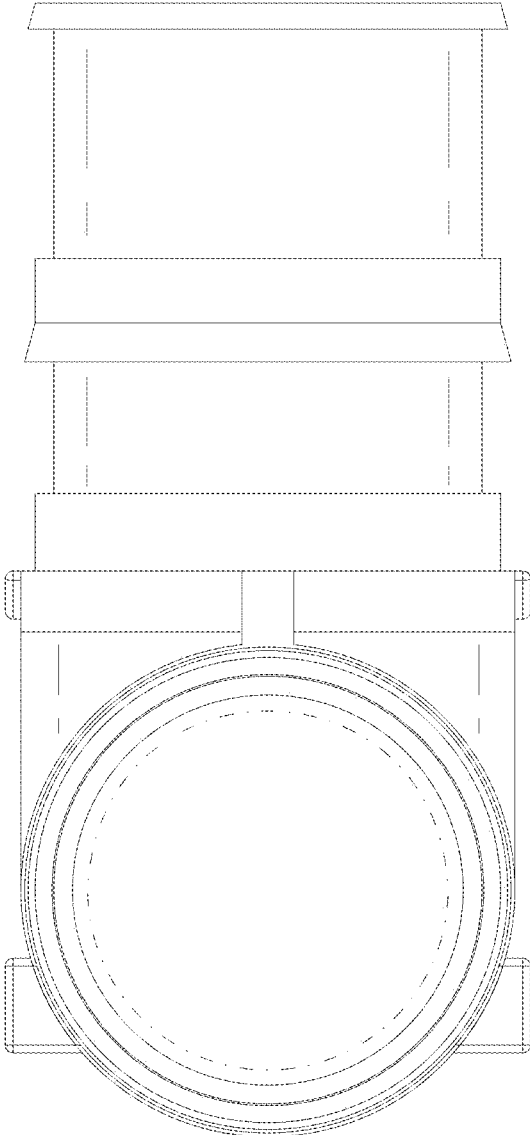


FIG. 6

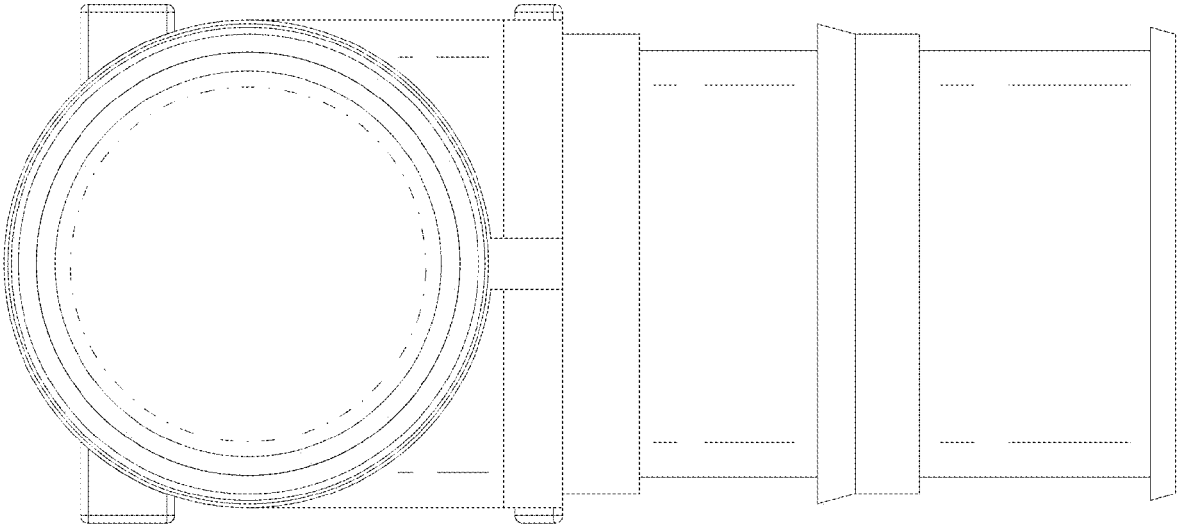


FIG. 7

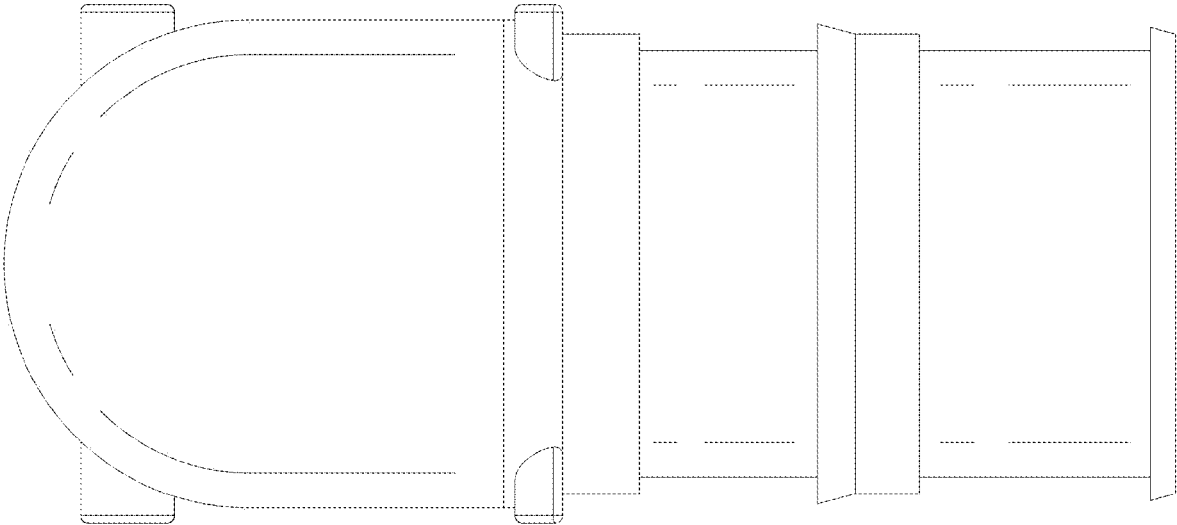


FIG. 8