



US00D862272S

(12) **United States Design Patent**  
**Foxcroft**

(10) **Patent No.:** **US D862,272 S**  
(45) **Date of Patent:** **\*\* Oct. 8, 2019**

(54) **THREE CHAMBER SPORTS AND SAFETY MOUTH WHISTLE**

FOREIGN PATENT DOCUMENTS

(71) Applicant: **David Ronald Foxcroft**, Burlington (CA)

CN 304710228 \* 7/2018  
CN 305045131 \* 2/2019

(Continued)

(72) Inventor: **David Ronald Foxcroft**, Burlington (CA)

OTHER PUBLICATIONS

(73) Assignee: **FOX 40 INTERNATIONAL INC.**, Hamilton (CA)

“Fuziun CMG” available May 1, 2019, [online], [site visited May 19, 2019]. Retrieved from Internet, <URL:https://fox40shopusa.com/collections/pealess-whistles/products/fuziun-cmg> (Year: 2019).\*

(Continued)

(\*\*) Term: **15 Years**

*Primary Examiner* — Cathron C Brooks

*Assistant Examiner* — Katrina N Gonzalez

(21) Appl. No.: **29/624,575**

(74) *Attorney, Agent, or Firm* — Ridout & Maybee LLP

(22) Filed: **Nov. 2, 2017**

(57) **CLAIM**

(30) **Foreign Application Priority Data**

The ornamental design for the three chamber sports and safety mouth whistle, as shown and described.

Oct. 26, 2017 (CA) ..... 177792

**DESCRIPTION**

(51) **LOC (12) Cl.** ..... **10-06**

(52) **U.S. Cl.**

USPC ..... **D10/119.3**

(58) **Field of Classification Search**

USPC ..... D10/116.1, 118, 118.1, 118.2, 119.1, D10/119.2, 119.3, 119.4, 120, 121; 446/202, 203, 204, 205, 206, 207, 208, 446/209

CPC ..... G10K 5/00; G10K 11/004; G10K 5/02; G10K 11/26; G10K 11/28; G10K 9/12

See application file for complete search history.

FIG. 1 is front top right perspective view of the three chamber sports and safety mouth whistle according to the invention;

FIG. 2 is bottom rear right perspective view of the three chamber sports and safety mouth whistle shown in FIG. 1; FIG. 3 is a top plan view of the three chamber sports and safety mouth whistle shown in FIG. 1;

FIG. 4 is a bottom plan view of the three chamber sports and safety mouth whistle shown in FIG. 1;

FIG. 5 is a left side elevational view of the three chamber sports and safety mouth whistle shown in FIG. 1;

FIG. 6 is a right side elevational view of the three chamber sports and safety mouth whistle shown in FIG. 1;

FIG. 7 is a rear plan view of the three chamber sports and safety mouth whistle shown in FIG. 1; and,

FIG. 8 is a front plan view of the three chamber sports and safety mouth whistle shown in FIG. 1.

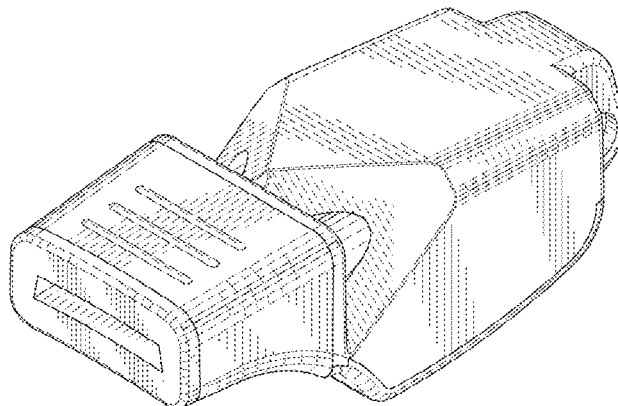
(56) **References Cited**

U.S. PATENT DOCUMENTS

D76,516 S \* 10/1928 Zisch ..... D10/119.2  
D409,939 S \* 5/1999 Sharp ..... D10/119.3  
D462,917 S \* 9/2002 Hills ..... D10/119.3  
D488,085 S \* 4/2004 Cheng ..... D10/119.2

(Continued)

**1 Claim, 5 Drawing Sheets**



(56)

**References Cited**

## U.S. PATENT DOCUMENTS

D555,529	S	*	11/2007	Foxcroft	.....	D10/119.3
D622,172	S	*	8/2010	Hills	.....	D10/119.3
D623,967	S	*	9/2010	Shupp	.....	D10/119.3
7,987,809	B2	*	8/2011	Uribe	.....	G10K 5/00 116/137 R
D661,215	S	*	6/2012	Foxcroft	.....	D10/119.3
D776,554	S	*	1/2017	Foxcroft	.....	D10/119.3

## FOREIGN PATENT DOCUMENTS

IN	305098-0001	*	2/2019
JP	D1628675	*	4/2019
KR	300735664.0000	*	3/2014

## OTHER PUBLICATIONS

“Fox 40 Fuziun CMG Whistle Black FO8602” available May 1, 2019, [online], [site visited May 1, 2019]. Retrieved from Internet, <URL: <https://www.amazon.com/Fox-40-Fuziun-Whistle-FO8602/dp/B07GWWGJPMH>> (Year: 2019).\*

“Fox 40 Fuziun CMG Pealess Whistle” (via YouTube), available May 23, 2018, [online], [site visited May 1, 2019]. Retrieved from Internet, <URL:<https://www.youtube.com/watch?v=vG4P7eFhWZw>> (Year: 2018).\*

“Fox 40 Fuziun CMG Whistle” available Jul. 4, 2018, [online], [site visited May 1, 2019]. Retrieved from Internet, <URL:<https://www.refereestore.com/fox-40-fuziun-cmg-whistle/>> (Year: 2018).\*

\* cited by examiner

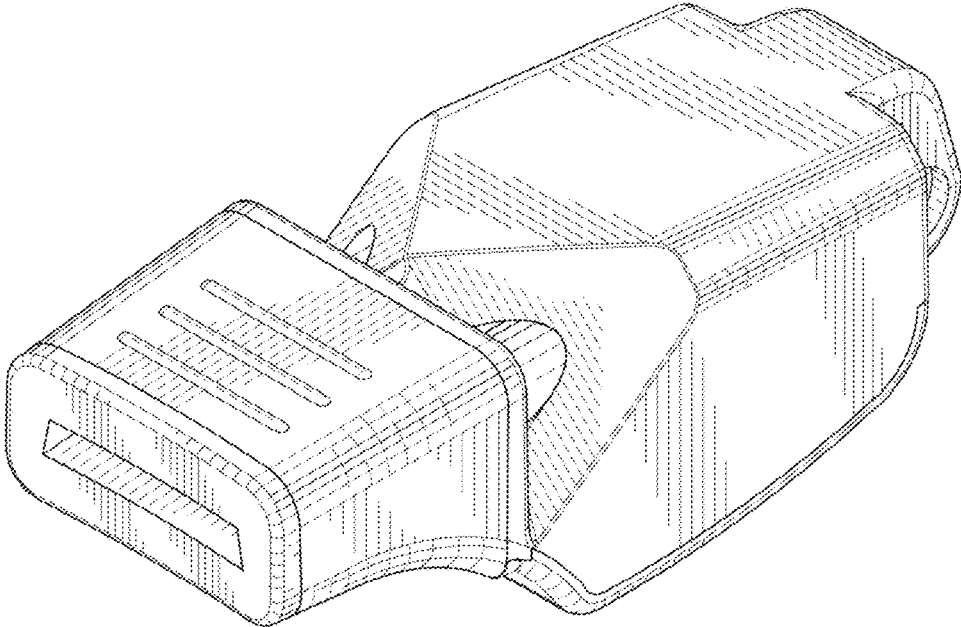


FIG.1

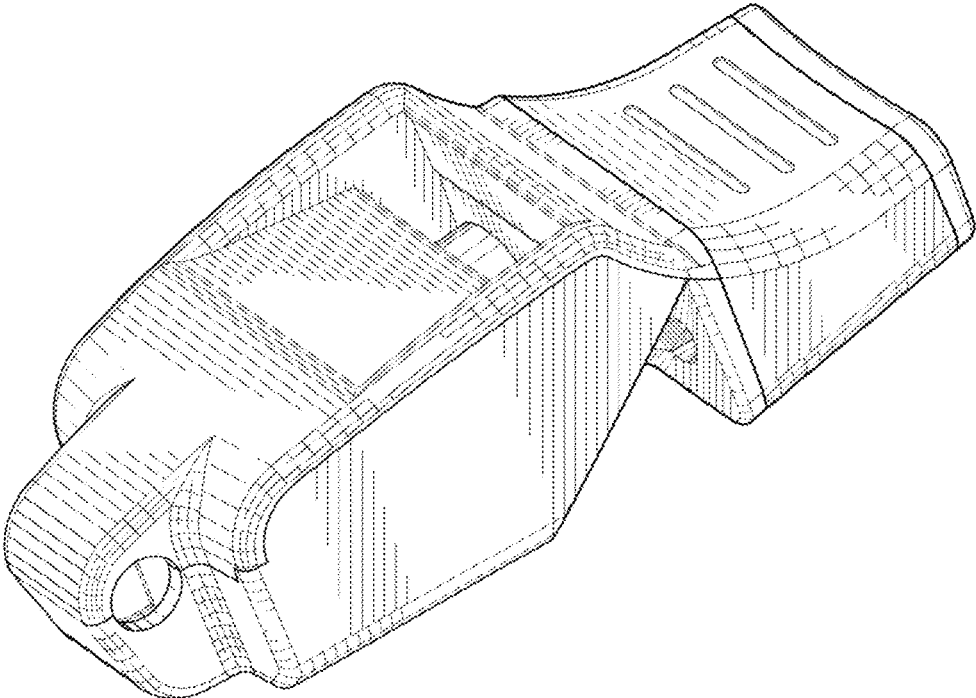


FIG.2

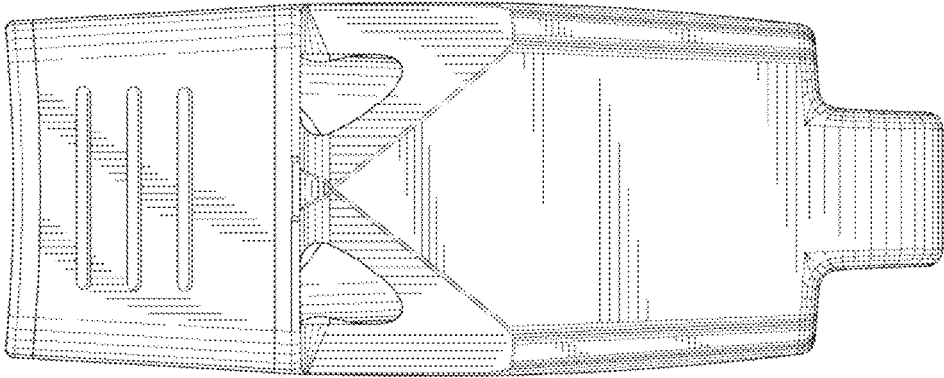


FIG.3

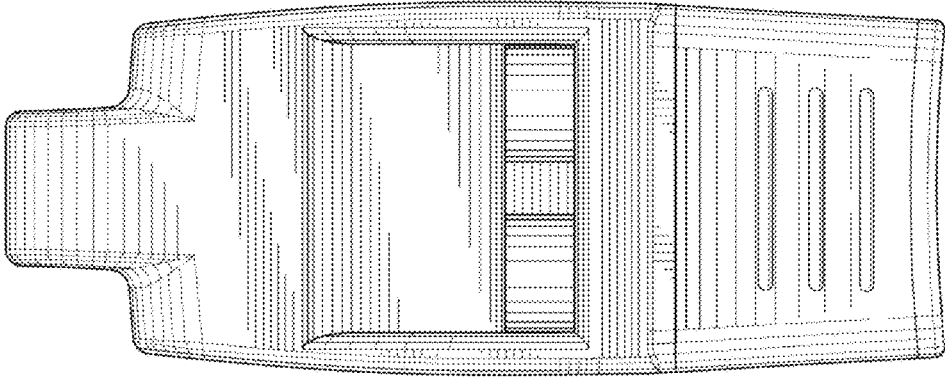


FIG.4

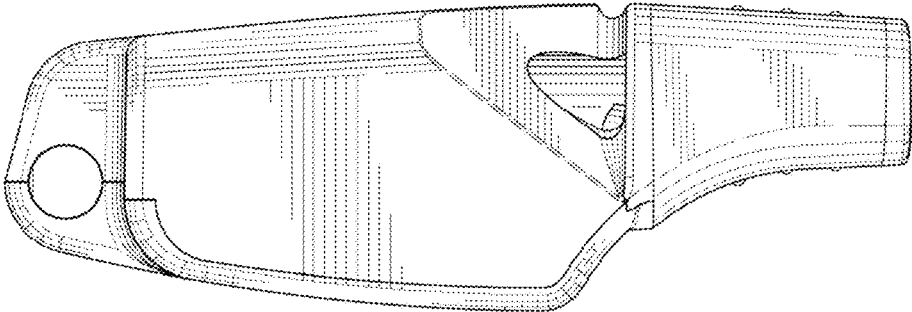


FIG.5

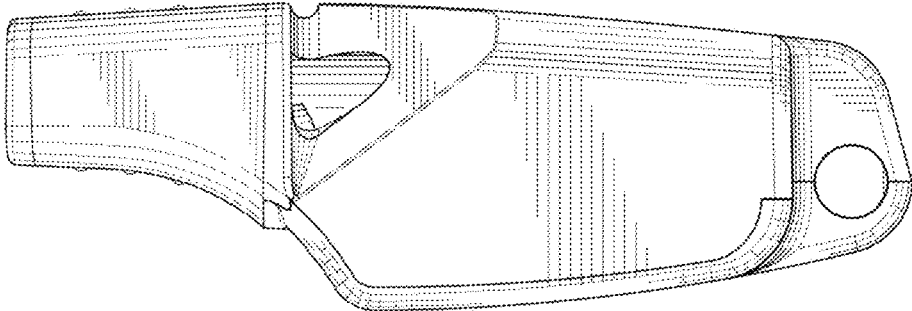


FIG.6

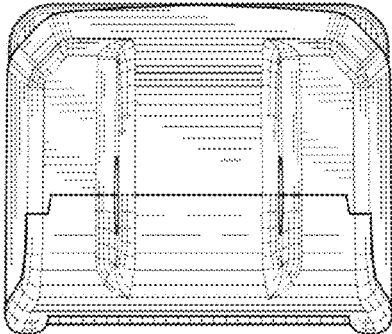


FIG. 7

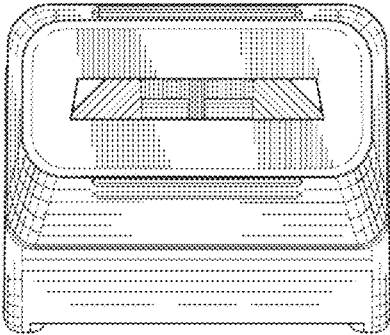


FIG. 8