

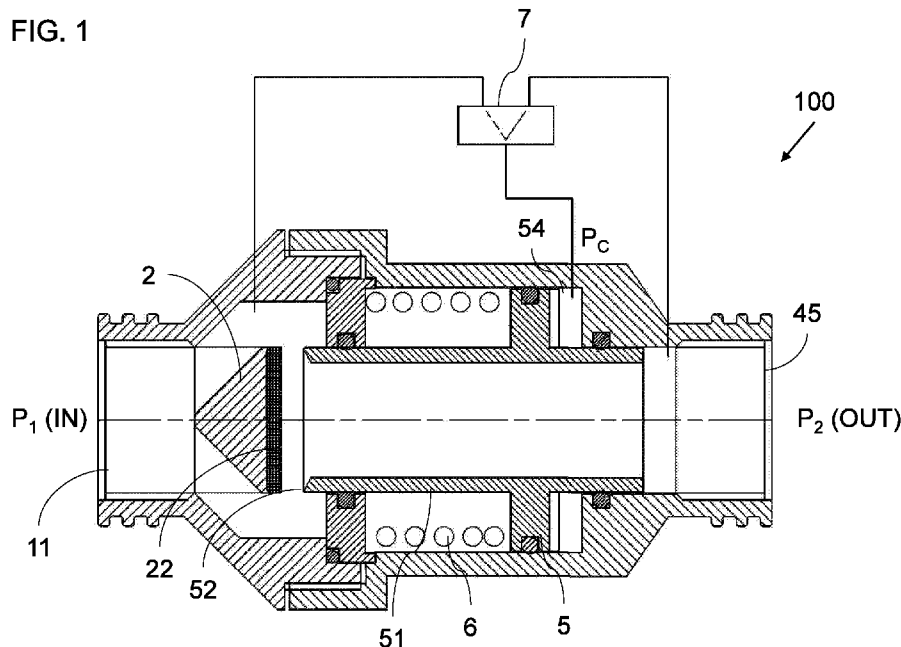


- (51) International Patent Classification:
F16K 31/122 (2006.01)
- (21) International Application Number:
PCT/IL2018/050246
- (22) International Filing Date:
05 March 2018 (05.03.2018)
- (25) Filing Language: English
- (26) Publication Language: English
- (30) Priority Data:
62/467,145 05 March 2017 (05.03.2017) US
- (71) Applicant: **BERMAD CS LTD.** [IL/IL]; Kibbutz Evron,
22808 Kibbutz Evron (IL).
- (72) Inventor: **WEINGARTEN, Zvi**; c/o Bermad CS Ltd.,
22808 Kibbutz Evron (IL).
- (74) Agent: **FRIEDMAN, Mark**; Moshe Aviv Tower 54th
Floor, 7 Jabotinski St., 5252007 Ramat-Gan (IL).

- (81) Designated States (*unless otherwise indicated, for every kind of national protection available*): AE, AG, AL, AM, AO, AT, AU, AZ, BA, BB, BG, BH, BN, BR, BW, BY, BZ, CA, CH, CL, CN, CO, CR, CU, CZ, DE, DJ, DK, DM, DO, DZ, EC, EE, EG, ES, FI, GB, GD, GE, GH, GM, GT, HN, HR, HU, ID, IL, IN, IR, IS, JO, JP, KE, KG, KH, KN, KP, KR, KW, KZ, LA, LC, LK, LR, LS, LU, LY, MA, MD, ME, MG, MK, MN, MW, MX, MY, MZ, NA, NG, NI, NO, NZ, OM, PA, PE, PG, PH, PL, PT, QA, RO, RS, RU, RW, SA, SC, SD, SE, SG, SK, SL, SM, ST, SV, SY, TH, TJ, TM, TN, TR, TT, TZ, UA, UG, US, UZ, VC, VN, ZA, ZM, ZW.
- (84) Designated States (*unless otherwise indicated, for every kind of regional protection available*): ARIPO (BW, GH, GM, KE, LR, LS, MW, MZ, NA, RW, SD, SL, ST, SZ, TZ, UG, ZM, ZW), Eurasian (AM, AZ, BY, KG, KZ, RU, TJ, TM), European (AL, AT, BE, BG, CH, CY, CZ, DE, DK, EE, ES, FI, FR, GB, GR, HR, HU, IE, IS, IT, LT, LU, LV, MC, MK, MT, NL, NO, PL, PT, RO, RS, SE, SI, SK, SM,

(54) Title: PRESSURE REDUCING VALVE WITH SHUT OFF

FIG. 1



(57) Abstract: A pressure reducing valve (100) includes a displaceable throttling element (51) displaceable between a fully-open position in which fluid flows along a flow path from an inlet (11) to an outlet (45), and a closed position in which the flow path is blocked. A spring (6) acts to displace the displaceable throttling element to the fully-open position while pressure within a control chamber (54) acts on a pressure-actuated surface to displace the displaceable throttling element towards the closed position. A switchable hydraulic control circuit in fluid connection with the inlet, the outlet and the control chamber, is switchable between first state in which a pressure within the control chamber is equalized with the outlet pressure, and a second state in which the pressure within the control chamber is equalized with an inlet pressure.



TR), OAPI (BF, BJ, CF, CG, CI, CM, GA, GN, GQ, GW,
KM, ML, MR, NE, SN, TD, TG).

Published:

- *with international search report (Art. 21(3))*
- *with amended claims (Art. 19(1))*

Pressure Reducing Valve With Shut Off

FIELD AND BACKGROUND OF THE INVENTION

The present invention relates to a pressure reducing valve and, in particular, it concerns a pressure reducing valve with a shut-off function.

5 It is known to provide pressure reducing valves to regulate the pressure provided to a device, particularly for devices which have specific pressure supply requirements for proper operation. One example of such a device is a sprinkler system. In various cases, it is also necessary to provide electrically controllable on/off switching functionality.

10 SUMMARY OF THE INVENTION

The present invention is a pressure reducing valve with a shut-off function.

According to the teachings of an embodiment of the present invention there is provided, a pressure reducing valve comprising: (a) a valve assembly defining a flow path from an inlet to an outlet; (b) a throttling arrangement forming part of the flow path, the throttling arrangement comprising a displaceable throttling element displaceable between a fully-open position in which the flow path is open and a closed position in which the flow path is substantially blocked; (c) a spring acting to displace the displaceable throttling element to the fully-open position; (d) a control chamber including at least one pressure-actuated surface mechanically associated with the
15 displaceable throttling element such that pressure within the control chamber acts to
20 displace the displaceable throttling element against the spring towards the closed

position; and (e) a switchable hydraulic control circuit in fluid connection with the inlet, the outlet and the control chamber, the switchable hydraulic control circuit assuming: (i) a first state in which a pressure within the control chamber is equalized with an outlet pressure, and (ii) a second state in which the pressure within the control chamber
5 is equalized with an inlet pressure.

According to a further feature of an embodiment of the present invention, the hydraulic control circuit is electrically actuated to switch between the first and second states.

According to a further feature of an embodiment of the present invention,
10 switching of the hydraulic control circuit between the first and second states is achieved via a three-port pilot valve.

According to a further feature of an embodiment of the present invention, switching of the hydraulic control circuit between the first and second states is achieved via a two-port on/off pilot valve.

15 According to a further feature of an embodiment of the present invention, the hydraulic control circuit comprises a flow restriction deployed within a control circuit flow path interconnecting between the fluid connection to the inlet and the control chamber, and wherein the on/off valve controls a fluid interconnection between the control chamber and the fluid connection to the outlet.

20 According to a further feature of an embodiment of the present invention, the flow restriction is implemented as a labyrinth.

According to a further feature of an embodiment of the present invention, the control circuit flow path includes, sequentially, a filter configuration, a stilling chamber and the labyrinth.

BRIEF DESCRIPTION OF THE DRAWINGS

The invention is herein described, by way of example only, with reference to the accompanying drawings, wherein:

FIG. 1 is a schematic representation of a first implementation of a pressure
5 reducing valve, constructed and operative according to an embodiment of the present invention, employing a three-way pilot valve;

FIG. 2 is a schematic representation of a variant implementation of a pressure reducing valve, constructed and operative according to an embodiment of the present invention, employing a two-way pilot valve;

10 FIG. 3 is an isometric view of a pressure reducing valve, constructed and operative according to an embodiment of the present invention, employing a three-way pilot valve;

FIG. 4 is an axial cross-sectional view taken along a central axis of the valve of FIG. 3 from the inlet to the outlet;

15 FIG. 5 is an axial view of the valve of FIG. 3 taken along the inlet axis, with partial cross-sectional views in regions labeled 'A' and 'B' taken along lines 'A' and 'B' of FIG. 4;

FIG. 6 is an isometric cut-away view of the valve of FIG. 3 cut away along both a central axial plane between the inlet and the outlet and along the line denoted 'A' in
20 FIG. 4; and

FIG. 7 is an isometric view of a labyrinth bracket from the valve of FIG. 3, viewed from a downstream side of the bracket.

DESCRIPTION OF THE PREFERRED EMBODIMENTS

The present invention is a pressure reducing valve with a shut-off function.

The principles and operation of valves according to the present invention may be better understood with reference to the drawings and the accompanying description.

5 Referring collectively to the drawings, a pressure reducing valve **100** includes a valve assembly defining a flow path from an inlet **11** to an outlet **45**. A throttling arrangement forms part of the flow path. The throttling arrangement includes a displaceable throttling element (piston tube **51**) displaceable between a fully-open position (to the right as shown) in which the flow path is open and a closed position
10 (displaced to the left) in which the flow path is substantially blocked by closing of the displaceable throttling element against a seal plug **2**. The phrase “substantially blocked” in this context typically refers to blocking sufficient to reduce any residual flow by at least two orders of magnitude relative to the flow rate when the valve is fully open. A spring **6** acts to bias the displaceable throttling element to the fully-open position. A
15 control chamber **54** includes at least one pressure-actuated surface (right side of a piston **5**) mechanically associated with the displaceable throttling element such that pressure within the control chamber **54** acts to displace the displaceable throttling element against the bias of spring **6** towards the closed position.

The valve is preferably remotely switchable by changing the state of a
20 switchable hydraulic control circuit that is in fluid connection with the inlet **11**, the outlet **45** and the control chamber **54**. The switchable hydraulic control circuit assumes:

- (i) a first state in which a pressure P_C within the control chamber is equalized with an outlet pressure P_2 , and

- (ii) a second state in which the pressure within the control chamber P_C is equalized with an inlet pressure P_1 .

When $P_C = P_2$, throttling occurs in a manner known for direct acting pressure reduction valves, balancing the output pressure against the force of the spring in order to maintain the output pressure around a predetermined value, and without requiring external control or actuation.

When $P_C = P_1$, the full inlet pressure is applied to displace the displaceable throttling element towards its fully closed position, overcoming the bias of spring **6** and thereby blocking the flow and switching the valve “off”. Where full sealing is required, an elastomer seal **22** may be provided to ensure complete sealing on closure. In applications where slow leakage through the valve is acceptable for the “off” state, closure of the rigid elements against each other may be sufficient.

The use of a single control chamber **54** for both the pressure reduction regulation and for the valve closure function renders the proposed valve structures particularly compact and structurally simple.

Switching of the hydraulic control circuit is most preferably electrically actuated, typically by use of a solenoid-controlled pilot valve, to switch between the first and second states. According to a first option, illustrated schematically in FIG. 1, switching is performed directly by use of a three-port pilot valve **7** which alternately connects the control chamber **54** to either the outlet pressure or the inlet pressure. The switching is actuated by suitable control circuitry, forming part of a control system (not shown), as is well known in the art, and may include a local or otherwise hard-wired controller including circuitry and/or one or more processor configured for implementing a preset switching schedule, or to work together with other sensors or control components as

part of a more complex control system. Additionally or alternatively, the control system may include communication components for linking the controller to a local-area network and/or a wide-area network for implementing remote control of the valve from another location in the network, either automatically or manually. The control system of
5 the present invention is essentially similar to that used in conventional systems, and will therefore not be described herein in further detail.

According to a further, particularly preferred option illustrated schematically in FIG. 2, and in a more detailed exemplary embodiment in FIGS. 3-5B, switching of the hydraulic control circuit between the first and second states is achieved via a two-port
10 on/off pilot valve **71**, thereby rendering the pilot valve and pilot valve actuator particularly simple, reliable and low-cost. The operational principle of the hydraulic control circuit according to this approach is best understood with reference to FIG. 2.

Specifically, the hydraulic control circuit as shown here includes a flow restriction **42** deployed within a control circuit flow path interconnecting between the
15 fluid connection to the inlet **11** and the control chamber **54**, while the on/off valve **7** controls a fluid interconnection between the control chamber **54** and the fluid connection to the outlet **45**. As a result, when the valve is open, the hydraulic control loop defines an open loop flow from a region of inlet pressure to a region of outlet pressure. Since the flow restriction **42** is designed to be the primary flow impedance in
20 that loop, the flow through the control loop stabilizes at a (very small) flow rate when the pressure drop across the flow restriction is substantially equal to the pressure difference between the inlet and the outlet. (“Substantially equal” in this context refers to following of the pressure difference sufficient to provide the recited pressure regulating effect, but does not exclude the possibility of some degree of lag in

approaching pressure equalization and/or some residual pressure difference on a scale of up to about 5% of the pressure difference between the inlet and outlet pressures.) As a result, control chamber **54**, located downstream of the flow restriction, is effectively maintained at outlet pressure P_2 , thereby providing the desired pressure reduction regulation functionality.

When the pilot valve **7** is switched to its flow-interrupting state, preventing flow to the outlet region, pressure within the now dead-end hydraulic control loop circuit quickly equalizes across the flow restriction, thereby bringing pressure P_C within control volume **54** to inlet pressure P_1 , resulting in cutting-off of the flow, as described above.

It would be possible to achieve a similar result using a reversed arrangement where the flow restriction **42** would be located in the flow path between control volume **54** and the outlet, and the two-port pilot valve would be deployed in the flow path between the inlet and the control volume. In this reversed arrangement, it would be the open state of the control valve which would correspond to the “off” state of the valve, and the control loop would generate a slow leakage across the valve via the flow restriction **42**. For this reason, it is generally considered preferable to have the configuration as illustrated here, where the flow restriction is upstream of the control volume, and the valve is downstream.

Although illustrated herein in a non-limiting example of a three-port or two-port solenoid-actuated pilot valve, it will be clear that other pilot valve control modalities may be used to implement the invention, such as for example, a hydraulically actuated pilot valve, or a manually-switchable control valve.

Exemplary Preferred Embodiment

Further details of a particularly preferred exemplary implementation of a valve according to the operating principles of FIG. 2 are illustrated in FIGS. 3-7. In this case, the flow restriction is implemented as a labyrinth **42**, and the control circuit flow path includes, sequentially, a filter configuration provided by a set of slots **24**, a stilling chamber **25** to reduce turbulence in water that has passed the filter and to allow settling of any solids before reaching the labyrinth, and the labyrinth **42**.

Referring particularly to FIG. 4, the outer casing of valve **100** here is formed primarily from a valve closure **1**, providing threaded inlet **11**, which is in threaded engagement with a valve base **4**, which provides threaded outlet **45**. Pressure regulation is achieved by a sliding motion of a piston **5** which slides in sealing contact with a cylinder **41** of base **4**, sealed by an O-ring **91**. Motion of the piston **5** is governed by the balance of forces between the pressure in a control chamber **54** acting against force in a spring element **6**, preferably a helical compression spring.

Throttling of flow through valve **100** is achieved by sliding motion of a closing edge (rim) **52** of a piston tube **51** integrated with piston **5**, as the rim moves towards and away from a closure surface **22** (optionally a resilient seal) of seal plug **2**. Seal plug **2** is held in place by a number of ribs **23** which suspend the seal plug relative to a flow-guiding ring **21** which forms part of flow pathways **12** from inlet **11** to the piston cylinder **41**.

In order to feed inlet pressure to the control loop, a number of filter slots **24** formed in flow-guiding ring **21** allow egress of a small filtered part of the flow to an annular stilling chamber **25**, where turbulence is reduced and any small entrained solid particles tend to settle. Water is fed from stilling chamber **25** via a flow passage **32** to

the inlet of a labyrinth **42**. The labyrinth is shown here formed by a series of baffles **39** supported by a labyrinth bracket **3** so as to abut adjacent surfaces of valve base **4**, as best seen in FIGS. 5 (region 'A'), 6 and 7, so as to define a long, thin meandering flow path extending annularly around the valve structure. FIG. 7 shows labyrinth bracket **3** from the downstream side. An elongated passageway **43** through valve body **4** defines an outlet from labyrinth **42** which connects via the solenoid valve chamber **72** and a connecting passageway **44** to control chamber **54**. Solenoid valve chamber **72** is also connected via solenoid valve orifice **8** and drain passage **81** to outlet flow path near outlet **45**. Solenoid plunger **71** is selectively displaced by the solenoid to either open or seal orifice **8**.

A set of O-ring seals **91, 92, 93, 94, 95** and **96** provide seals between the various components, where seals **91, 92** and **93** are sliding seals and seals **94, 95** and **96** are static seals. A vent hole (not shown) preferably allows venting of the volume containing spring **6** to the atmosphere.

15 Operation of Preferred Embodiment

Water flow enters the valve inlet **11**, flows through piston tube **51** and exits the valve via outlet **45**. During normal open-flow operation, the upstream pressure P_1 is throttled down to a desired output pressure as water flows through the passageway between the plug seal **22** and the piston closure **52** (rim). A preset force from spring **6** drives the piston **5** to open the valve, which is balanced by the downstream pressure P_2 acting on piston **5** to close the valve.

The pressure regulation is attained as the spring **6** force and the piston **5** force reach equilibrium. Should the downstream pressure P_2 rise, piston **5** force prevails over

the spring **6** load, and the valve throttles down the downstream P_2 pressure, and vice versa.

Control flow loop operation:

The control loop flow starts as the water enters the narrow and outwardly-fanned
5 slots **24** which act as a coarse filter. From filter slots **24**, water enters the stilling chamber **25**, then passing through passageway **32** into labyrinth **42**, across which the pressure drops from the upstream pressure P_1 to the downstream P_2 (preset) pressure.

Labyrinth **42** defines a long and turbulent flow pathway F which achieves the required pressure reduction using a relatively large channel (compared to an equivalent
10 flow impedance achieved using a capillary flow restriction), thereby minimizing risks of clogging. From labyrinth **42**, the water flows through elongated passageway **43** into solenoid chamber **72** and to the control chamber **54** via passageway **44**. Piston stopping ribs **53** ensure that control chamber **54** is never completely emptied.

As long as solenoid plunger **71** remains in its withdrawn, open position, away
15 from orifice **8**, the water will bleed to the downstream outlet duct **45** via orifice drain passage **81**. so that the pressure at the solenoid chamber **72** and control chamber **54** drops to the downstream pressure P_2 . Valve **100** then regulates the pressure P_2 as described above.

When solenoid plunger **71** is actuated to close orifice **8**, water flow through the
20 control loop stops, and the pressure at solenoid chamber **72** and control chamber **54** rises from the dynamic downstream P_2 to the static upstream P_1 pressure. Thus the force on piston **5** increases beyond that of the regulation mode, and the valve is driven to its closed position, when the closure **52** is pressed against the plug seal **22**.

List of nomenclature:

- 1 Valve closure
- 2 Seal plug
- 5 3 Labyrinth bracket
- 4 Valve body
- 5 Piston
- 6 Spring
- 7 Solenoid pilot valve
- 10 8 Solenoid valve orifice
- 11 Valve inlet duct
- 12 Valve inlet pathways
- 21 Flow-guiding ring
- 22 Plug seal, optionally with resilient plug seal (not shown)
- 15 23 Rib
- 24 Filter slot
- 25 Stilling chamber
- 31 Piston guide
- 32 Flow passage
- 20 39 Baffles
- 41 Piston's cylinder
- 42 Labyrinth
- 43 Elongated passageway
- 44 Connecting passageway
- 25 45 Valve exit conduit
- 51 Piston tube
- 52 Closure (piston tube rim)
- 53 Piston stopping ribs
- 54 Control chamber
- 30 71 Solenoid plunger
- 72 Solenoid valve chamber

81 Solenoid orifice drain passage

91, 92, 93, 94, 95, 96 O-Ring seals

P_1 Upstream (inlet) pressure

P_2 Downstream (outlet) pressure

5

Although described and illustrated above in the context of a piston-based implementation, it will be immediately clear to a person having ordinary skill in the art that control chamber **54** may alternatively be implemented using a diaphragm-based structure, where the control pressure P_C acts on a diaphragm that is mechanically linked
10 with the displaceable throttling element. The principles of operation, and details of the hydraulic control loop, remain as described above.

It will be appreciated that the above descriptions are intended only to serve as examples, and that many other embodiments are possible within the scope of the
15 present invention as defined in the appended claims.

WHAT IS CLAIMED IS:

1. A pressure reducing valve comprising:
 - (a) a valve assembly defining a flow path from an inlet to an outlet;
 - (b) a throttling arrangement forming part of said flow path, said throttling
5 arrangement comprising a displaceable throttling element displaceable between a fully-open position in which said flow path is open and a closed position in which said flow path is substantially blocked;
 - (c) a spring acting to displace said displaceable throttling element to said fully-open position;
 - 10 (d) a control chamber including at least one pressure-actuated surface mechanically associated with said displaceable throttling element such that pressure within said control chamber acts to displace said displaceable throttling element against said spring towards said closed position; and
 - 15 (e) a switchable hydraulic control circuit in fluid connection with said inlet, said outlet and said control chamber, said switchable hydraulic control circuit assuming:
 - (i) a first state in which a pressure within said control chamber is equalized with an outlet pressure, and
 - 20 (ii) a second state in which the pressure within said control chamber is equalized with an inlet pressure.

2. The pressure reducing valve of claim 0, wherein said hydraulic control circuit is electrically actuated to switch between said first and second states.

3. The pressure reducing valve of claim 0, wherein switching of said hydraulic control circuit between said first and second states is achieved via a three-port pilot
5 valve.

4. The pressure reducing valve of claim 0, wherein switching of said hydraulic control circuit between said first and second states is achieved via a two-port on/off pilot valve.

5. The pressure reducing valve of claim 4, wherein said hydraulic control circuit
10 comprises a flow restriction deployed within a control circuit flow path interconnecting between said fluid connection to said inlet and said control chamber, and wherein said on/off valve controls a fluid interconnection between said control chamber and said fluid connection to said outlet.

6. The pressure reducing valve of claim 5, wherein said flow restriction is
15 implemented as a labyrinth.

7. The pressure reducing valve of claim 6, wherein said control circuit flow path includes, sequentially, a filter configuration, a stilling chamber and said labyrinth.

AMENDED CLAIMS

received by the International Bureau on 14 August 2018 (14.08.2018)

1. A pressure reducing valve comprising:

- (a) a valve assembly defining a flow path from an inlet to an outlet;
- (b) a throttling arrangement forming part of said flow path, said throttling
5 arrangement comprising a displaceable tube having a rim, said
displaceable tube being displaceable relative to a closure surface of a plug
between a fully-open position in which said rim is spaced from said
closure surface so that said flow path is open and a closed position in
which said rim closes against said closure surface so that said flow path is
10 substantially blocked;
- (c) a spring acting to displace said displaceable tube to said fully-open
position;
- (d) a control chamber including at least one pressure-actuated piston surface
integrated with said tube such that pressure within said control chamber
15 acts to displace said displaceable tube against said spring towards said
closed position; and
- (e) a switchable hydraulic control circuit in fluid connection with said inlet,
said outlet and said control chamber, said switchable hydraulic control
circuit assuming:
- (i) a first state in which a pressure within said control chamber is
20 equalized with an outlet pressure, and
- (ii) a second state in which the pressure within said control chamber is
equalized with an inlet pressure.

2. The pressure reducing valve of claim 1, wherein said hydraulic control circuit is electrically actuated to switch between said first and second states.

3. The pressure reducing valve of claim 1, wherein switching of said hydraulic control circuit between said first and second states is achieved via a three-port pilot
5 valve.

4. The pressure reducing valve of claim 1, wherein switching of said hydraulic control circuit between said first and second states is achieved via a two-port on/off pilot valve.

5. The pressure reducing valve of claim 4, wherein said hydraulic control circuit
10 comprises a flow restriction deployed within a control circuit flow path interconnecting between said fluid connection to said inlet and said control chamber, and wherein said on/off valve controls a fluid interconnection between said control chamber and said fluid connection to said outlet.

6. The pressure reducing valve of claim 5, wherein said flow restriction is
15 implemented as a labyrinth.

7. The pressure reducing valve of claim 6, wherein said control circuit flow path includes, sequentially, a filter configuration, a stilling chamber and said labyrinth.

8. The pressure reducing valve of claim 6, wherein said labyrinth defines a meandering flow path extending annularly around the valve.

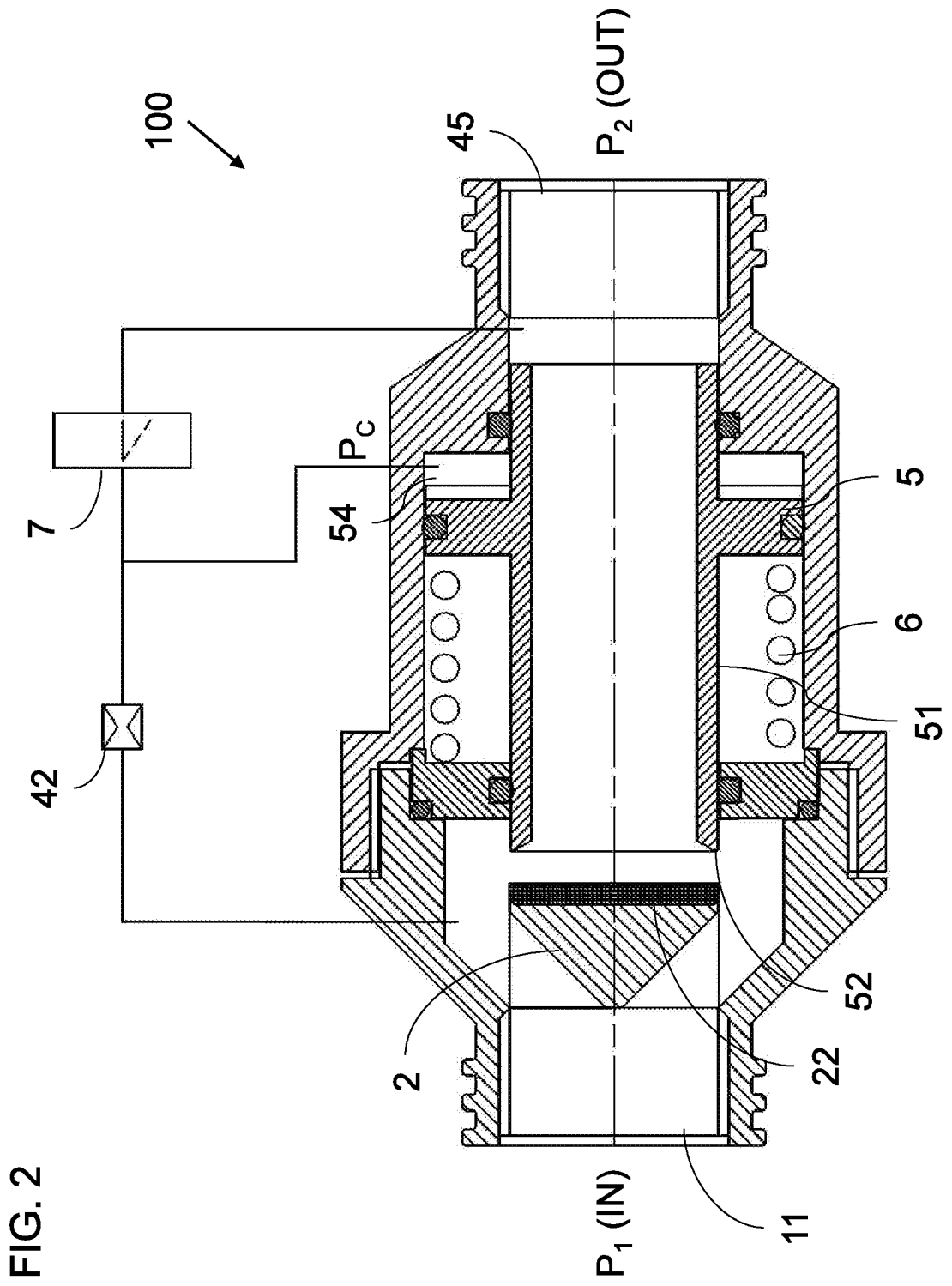


FIG. 2

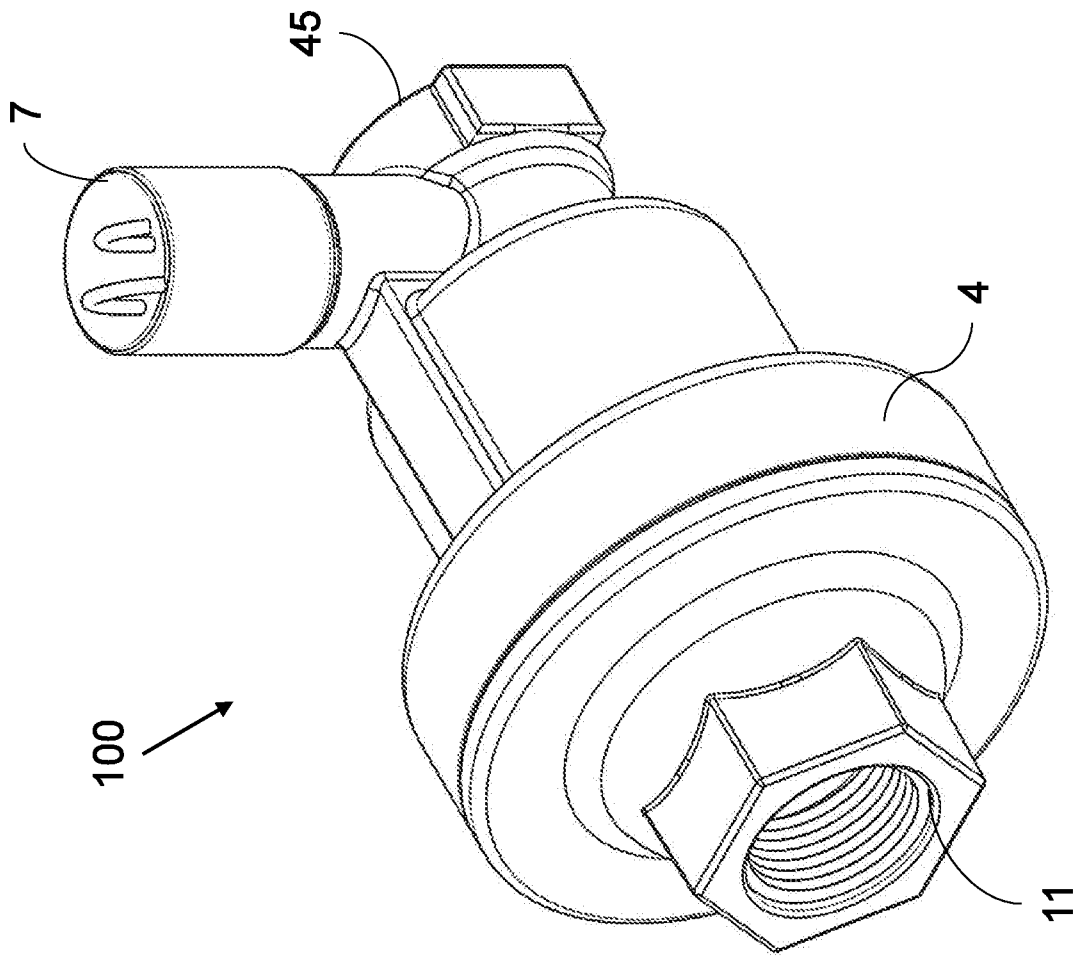


FIG. 3

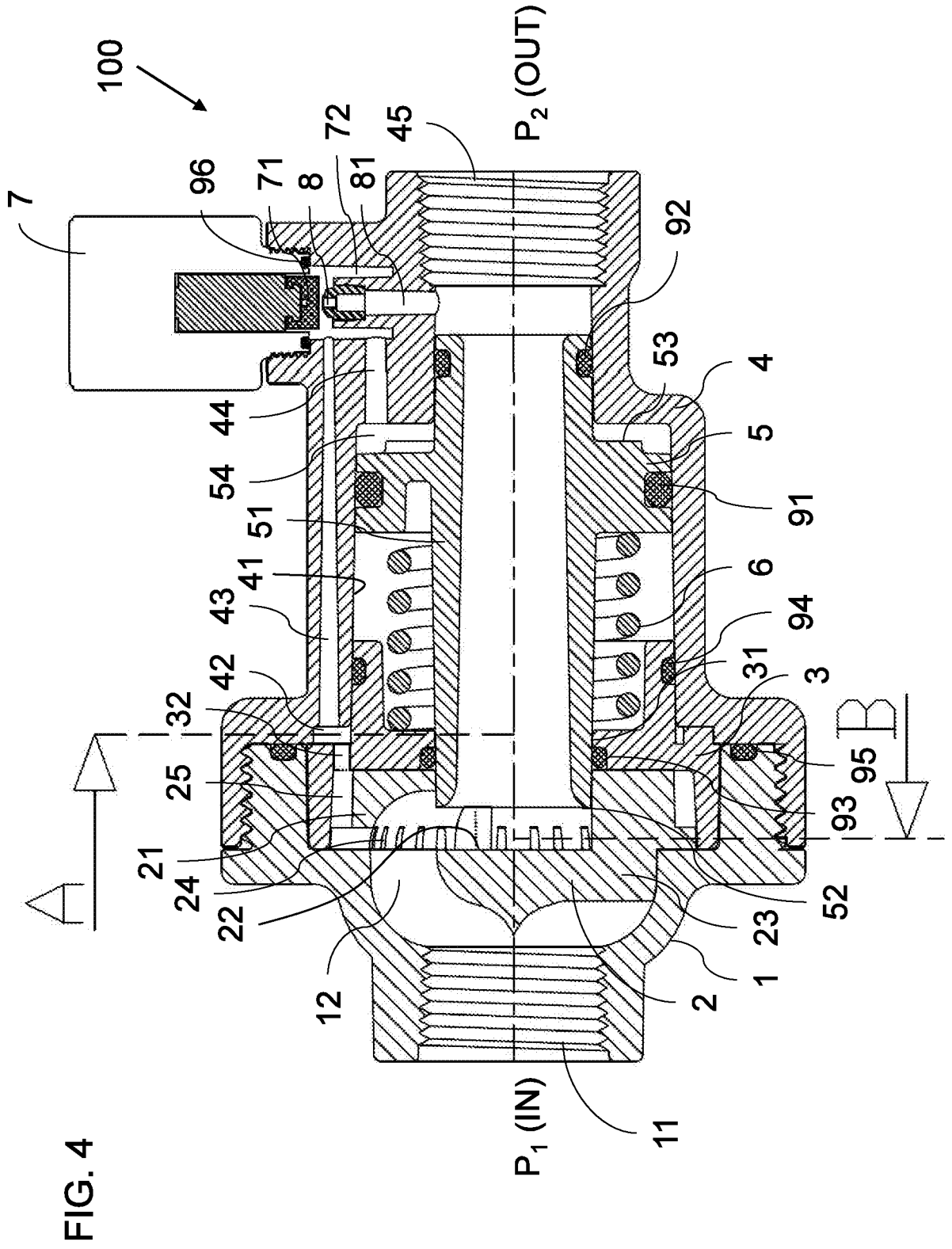


FIG. 4

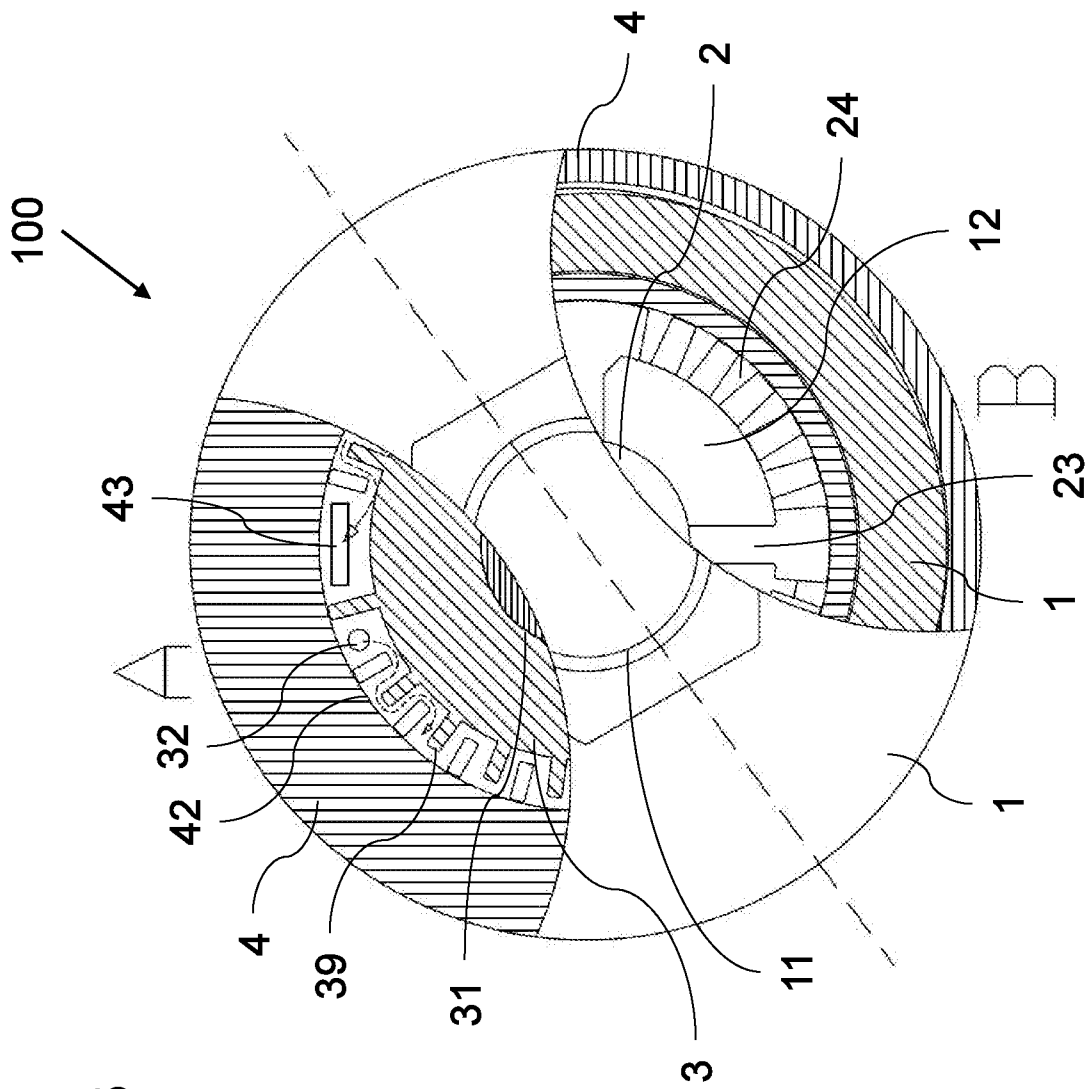


FIG. 5

FIG. 7

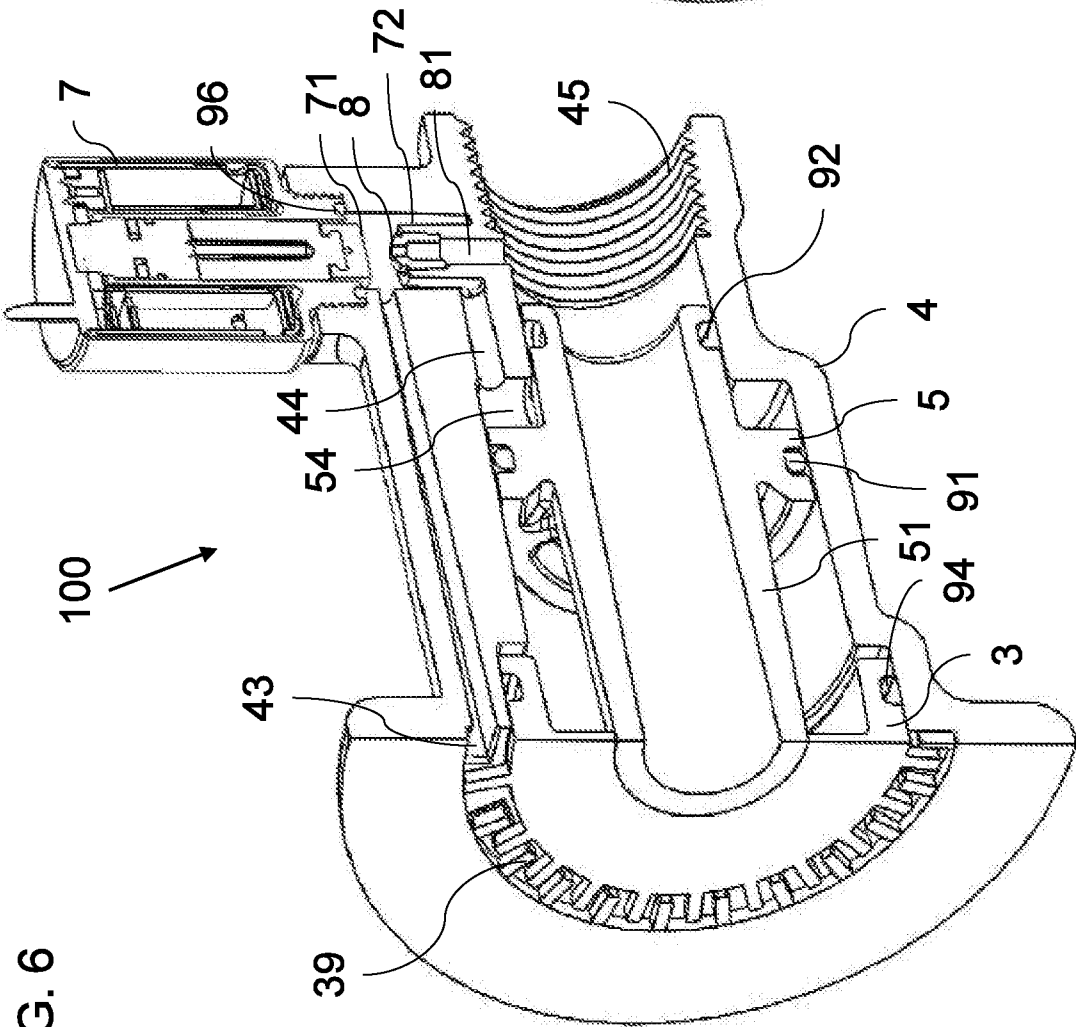
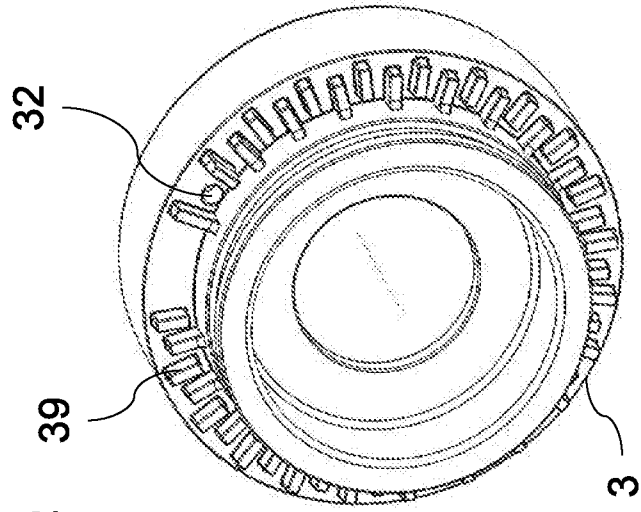


FIG. 6

INTERNATIONAL SEARCH REPORT

International application No.

PCT/IL2018/050246

A. CLASSIFICATION OF SUBJECT MATTER

IPC (2018.01) F16K 31/122

According to International Patent Classification (IPC) or to both national classification and IPC

B. FIELDS SEARCHED

Minimum documentation searched (classification system followed by classification symbols)

IPC (2018.01) F16K 31/122

Documentation searched other than minimum documentation to the extent that such documents are included in the fields searched

Electronic data base consulted during the international search (name of data base and, where practicable, search terms used)

Databases consulted: Google Patents

Search terms used: pressure, regulating, valve, shut off, control, inlet, outlet, chamber, spring, pilot

C. DOCUMENTS CONSIDERED TO BE RELEVANT

Category*	Citation of document, with indication, where appropriate, of the relevant passages	Relevant to claim No.
X	US 570727 A1 (HORACE B. GALE) 03 Nov 1896 (1896/11/03) Pg. 2, right column, Ln. 70-85, Pg. 2, left column, Ln. 37-57; Fig. 1, Fig. 3	1-4
Y	Whole document	5-7
Y	US 2011297252 A1 (HURLEY RICHARD JAMES et. al.) 08 Dec 2011 (2011/12/08) Fig. 1	5-7
A	US 4586533 A 9CROSBY VALVE & GAGE) 06 May 1986 (1986/05/06) Whole document	1-7
A	US 6035878 A (FISHER CONTROLS INT) 14 Mar 2000 (2000/03/14) Whole document	1-7

Further documents are listed in the continuation of Box C.

See patent family annex.

* Special categories of cited documents:

“A” document defining the general state of the art which is not considered to be of particular relevance

“E” earlier application or patent but published on or after the international filing date

“L” document which may throw doubts on priority claim(s) or which is cited to establish the publication date of another citation or other special reason (as specified)

“O” document referring to an oral disclosure, use, exhibition or other means

“P” document published prior to the international filing date but later than the priority date claimed

“T” later document published after the international filing date or priority date and not in conflict with the application but cited to understand the principle or theory underlying the invention

“X” document of particular relevance; the claimed invention cannot be considered novel or cannot be considered to involve an inventive step when the document is taken alone

“Y” document of particular relevance; the claimed invention cannot be considered to involve an inventive step when the document is combined with one or more other such documents, such combination being obvious to a person skilled in the art

“&” document member of the same patent family

Date of the actual completion of the international search

14 Jun 2018

Date of mailing of the international search report

14 Jun 2018

Name and mailing address of the ISA:

Israel Patent Office
Technology Park, Bldg.5, Malcha, Jerusalem, 9695101, Israel
Facsimile No. 972-2-5651616

Authorized officer

AGMAIL Waleed Ibrahim Ramadan

Telephone No. 972-2-5651626

INTERNATIONAL SEARCH REPORT

International application No.

PCT/IL2018/050246

C (Continuation). DOCUMENTS CONSIDERED TO BE RELEVANT		
Category*	Citation of document, with indication, where appropriate, of the relevant passages	Relevant to claim No.
A	US 2014182694 A1 (EMERSON PROCESS MAN REGULATOR TECHNOLOGIES INC.) 03 Jul 2014 (2014/07/03) Whole document	1-7
A	US 2009288718 A1 (JABLONSKI JASON et. al.) 26 Nov 2009 (2009/11/26) Whole document	1-7
A	US 4609008 A (ANDERSON GREENWOOD & CO.) 02 Sep 1986 (1986/09/02) Whole document	1-7
A	US 2016320779 A1 (GLOBAL AGRICULTURAL TECH AND ENG. LLC.) 03 Nov 2016 (2016/11/03) Whole document	1-7

INTERNATIONAL SEARCH REPORT
Information on patent family members

International application No. PCT/IL2018/050246
--

Patent document cited search report	Publication date	Patent family member(s)	Publication Date
US 570727 A1	03 Nov 1896	NONE	
US 2011297252 A1	08 Dec 2011	US 2011297252 A1 AU 2008263589 A1 CN 101720454 A EP 2162814 A2 GB 0711413 D0 GB 2450125 A WO 2008152427 A2 WO 2008152427 A3	08 Dec 2011 18 Dec 2008 02 Jun 2010 17 Mar 2010 25 Jul 2007 17 Dec 2008 18 Dec 2008 05 Feb 2009
US 4586533 A	06 May 1986	US 4586533 A AU 5434686 A AU 583353 B2 BR 8601686 A CA 1254483 A CN 86102606 A DE 3668685 D1 EP 0216439 A1 EP 0216439 B1 ES 8702618 A1 IN 166816 B JP S624972 A JP H0627556 B2 KR 940001216 B1	06 May 1986 08 Jan 1987 27 Apr 1989 10 Mar 1987 23 May 1989 04 Feb 1987 08 Mar 1990 01 Apr 1987 31 Jan 1990 01 Jan 1987 21 Jul 1990 10 Jan 1987 13 Apr 1994 17 Feb 1994
US 6035878 A	14 Mar 2000	US 6035878 A AT 310191 T AU 9229098 A BR 9812494 A CA 2302611 A1	14 Mar 2000 15 Dec 2005 12 Apr 1999 26 Sep 2000 01 Apr 1999

INTERNATIONAL SEARCH REPORT
Information on patent family members

International application No.
PCT/IL2018/050246

Patent document cited search report	Publication date	Patent family member(s)	Publication Date
		CA 2302611 C	07 Nov 2006
		CN 1271410 A	25 Oct 2000
		CN 1143971 C	31 Mar 2004
		DE 69832400 D1	22 Dec 2005
		DE 69832400 T2	13 Jul 2006
		DE 69832400 T8	26 Oct 2006
		EP 1017950 A1	12 Jul 2000
		EP 1017950 B1	16 Nov 2005
		JP 2001517820 A	09 Oct 2001
		JP 4067273 B2	26 Mar 2008
		JP 2008059611 A	13 Mar 2008
		JP 4740218 B2	03 Aug 2011
		JP 2008052757 A	06 Mar 2008
		JP 4741567 B2	03 Aug 2011
		WO 9915823 A1	01 Apr 1999
US 2014182694 A1	03 Jul 2014	US 2014182694 A1	03 Jul 2014
		US 9176505 B2	03 Nov 2015
		AR 094320 A1	29 Jul 2015
		BR 112015015566 A2	11 Jul 2017
		CA 2894902 A1	03 Jul 2014
		CN 103982686 A	13 Aug 2014
		CN 103982686 B	06 Mar 2018
		CN 203906925 U	29 Oct 2014
		EP 2938409 A2	04 Nov 2015
		EP 2938409 B1	13 Sep 2017
		JP 2016505982 A	25 Feb 2016
		JP 6290923 B2	07 Mar 2018
		MX 2015008455 A	29 Oct 2015
		RU 2015128803 A	02 Feb 2017
		RU 2643428 C2	01 Feb 2018

INTERNATIONAL SEARCH REPORT
Information on patent family members

International application No.
PCT/IL2018/050246

Patent document cited search report	Publication date	Patent family member(s)	Publication Date
		WO 2014106151 A2	03 Jul 2014
		WO 2014106151 A3	27 Nov 2014
US 2009288718 A1	26 Nov 2009	US 2009288718 A1	26 Nov 2009
		US 8136545 B2	20 Mar 2012
		BR PI0910749 A2	29 Sep 2015
		CA 2724404 A1	26 Nov 2009
		CA 2724404 C	16 Jun 2015
		CN 102246112 A	16 Nov 2011
		CN 102246112 B	08 Apr 2015
		EP 2288973 A2	02 Mar 2011
		EP 2288973 B1	21 Jun 2017
		JP 2011529212 A	01 Dec 2011
		JP 5607029 B2	15 Oct 2014
		RU 2010150293 A	27 Jun 2012
		RU 2508569 C2	27 Feb 2014
		WO 2009142861 A2	26 Nov 2009
		WO 2009142861 A3	12 Jan 2012
US 4609008 A	02 Sep 1986	US 4609008 A	02 Sep 1986
		CA 1254484 A	23 May 1989
		DE 3672297 D1	02 Aug 1990
		EP 0215541 A1	25 Mar 1987
		EP 0215541 B1	27 Jun 1990
		JP S6262064 A	18 Mar 1987
		JP H0520763 B2	22 Mar 1993
US 2016320779 A1	03 Nov 2016	US 2016320779 A1	03 Nov 2016
		CN 105900034 A	24 Aug 2016
		EP 3092537 A1	16 Nov 2016
		JP 2017510872 A	13 Apr 2017

INTERNATIONAL SEARCH REPORT
Information on patent family members

International application No.
PCT/IL2018/050246

Patent document cited search report	Publication date	Patent family member(s)	Publication Date
		WO 2015105481 A1	16 Jul 2015