



(12) **United States Design Patent**
Salmon et al.

(10) **Patent No.:** **US D623,064 S**
(45) **Date of Patent:** **** Sep. 7, 2010**

(54) **DISPENSING CONTAINER AND CLOSURE**

(75) Inventors: **Scott Douglas Salmon**, Tenafly, NJ (US); **Mario Alexander Turchi**, Tenafly, NJ (US)

(73) Assignee: **Reckitt Benckiser Inc.**, Parsippany, NJ (US)

(**) Term: **14 Years**

(21) Appl. No.: **29/340,749**

(22) Filed: **Jul. 24, 2009**

(51) **LOC (9) Cl.** **09-01**

(52) **U.S. Cl.** **D9/524; D9/539; D9/540**

(58) **Field of Classification Search** D9/414, D9/420, 421, 423, 424, 434, 435, 444, 447, D9/449, 516, 523, 524, 526, 529, 537, 539, D9/540, 551, 564, 737, 738, 741; 215/381-385; 220/662, 669

See application file for complete search history.

(56) **References Cited**

U.S. PATENT DOCUMENTS

D328,710 S *	8/1992	Deflander	D9/529
D394,204 S *	5/1998	Seddon	D9/737
D442,485 S *	5/2001	Sumpmann et al.	D9/432
D451,019 S *	11/2001	Lueders	D9/434
D467,801 S *	12/2002	Baerenwald et al.	D9/432
D469,011 S *	1/2003	Miller	D9/417
D540,162 S *	4/2007	Chin et al.	D9/417
D541,161 S *	4/2007	Ames	D9/529
D547,649 S *	7/2007	Larocca	D9/423
D557,600 S *	12/2007	Pettigrew et al.	D9/420
D592,961 S *	5/2009	Short et al.	D9/529

* cited by examiner

Primary Examiner—Stella M Reid

Assistant Examiner—Keli L Hill

(74) *Attorney, Agent, or Firm*—Norris, McLaughlin & Marcus

(57) **CLAIM**

The ornamental design for a dispensing container and closure, as shown and described.

DESCRIPTION

FIG. 1 is a front, right side perspective view of a first embodiment of a dispensing container and closure, embodying our new design, with the closure shown in a closed position;

FIG. 2 is a right side elevation view thereof;

FIG. 3 is left side elevation view thereof;

FIG. 4 is a front elevation view thereof;

FIG. 5 is a rear elevation view thereof;

FIG. 6 is a top plan view thereof;

FIG. 7 is a bottom plan view thereof;

FIG. 8 is a front, right side perspective view of a second embodiment, the only difference from Embodiment 1 being a disclaimed opening tab;

FIG. 9 is a front, right side perspective view of a third embodiment of a dispensing container and closure, embodying our new design, with the closure shown in an open position;

FIG. 10 is a right side elevation view thereof;

FIG. 11 is a left side elevation view thereof;

FIG. 12 is a front elevation view thereof;

FIG. 13 is a rear elevation view thereof;

FIG. 14 is a top plan view thereof;

FIG. 15 is a bottom plan view; and,

FIG. 16 is a front, right side perspective view of a fourth embodiment, the only difference from Embodiment 2 being a disclaimed opening tab.

The broken lines immediately adjacent the shaded areas represent the bounds of the claimed design while all other broken lines are directed to environment and are for illustrative purposes only; the broken lines form no part of the claimed design.

1 Claim, 8 Drawing Sheets

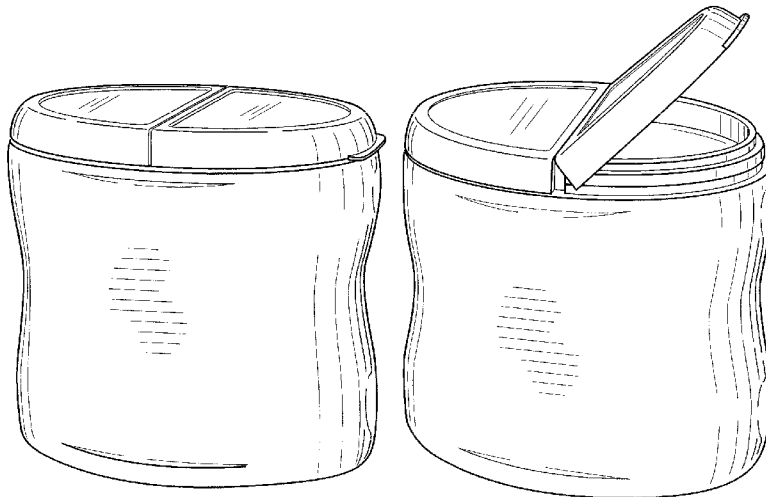


FIG. 1

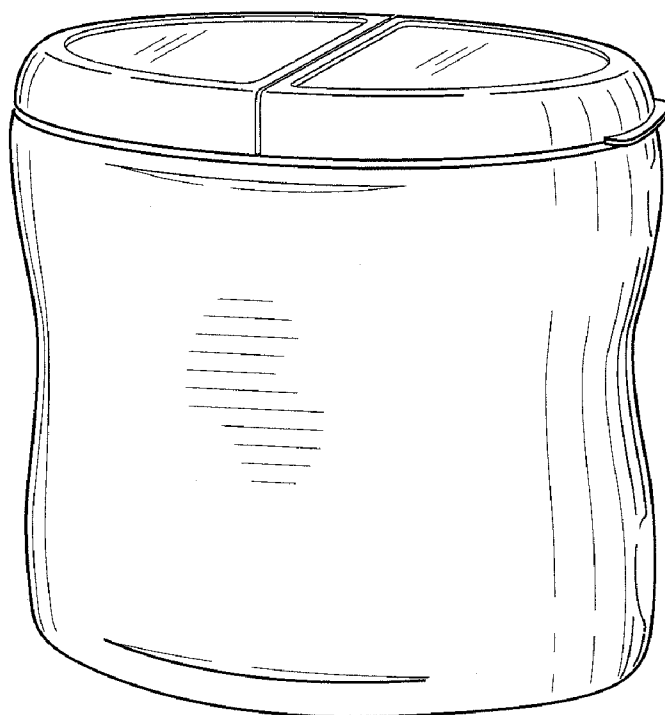


FIG. 2

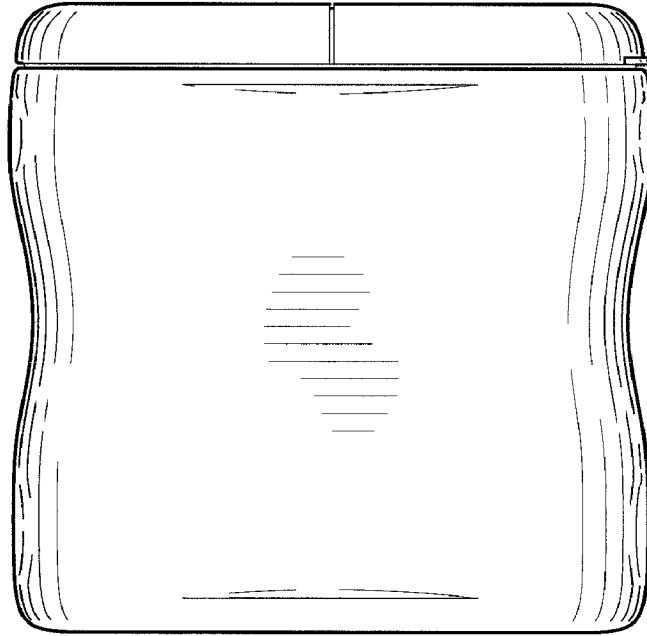


FIG. 3

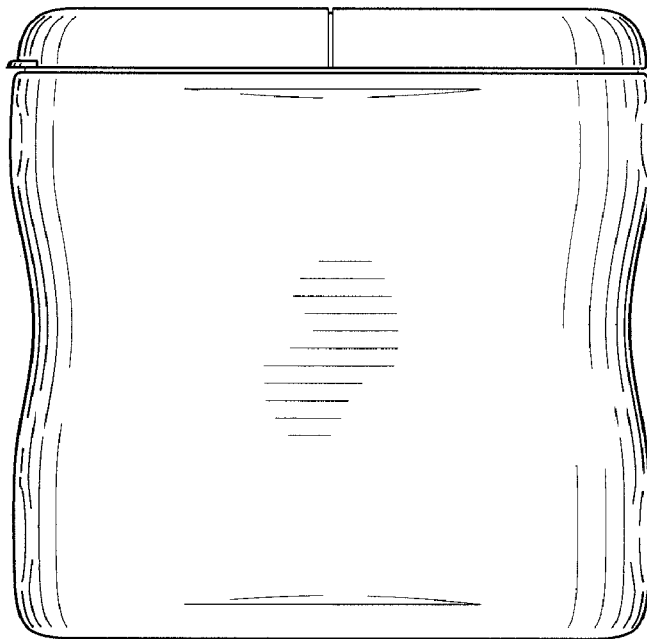


FIG. 4

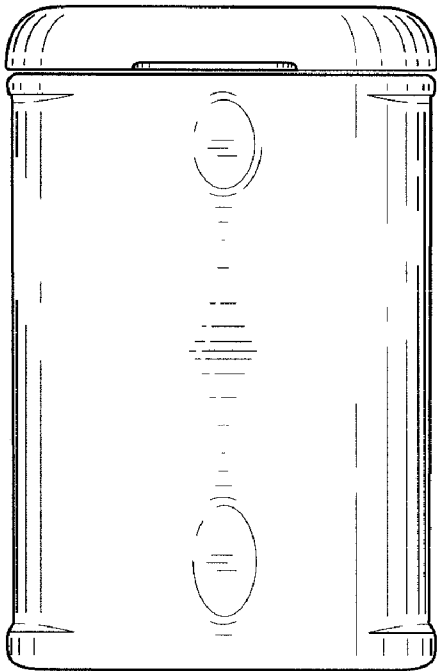


FIG. 5

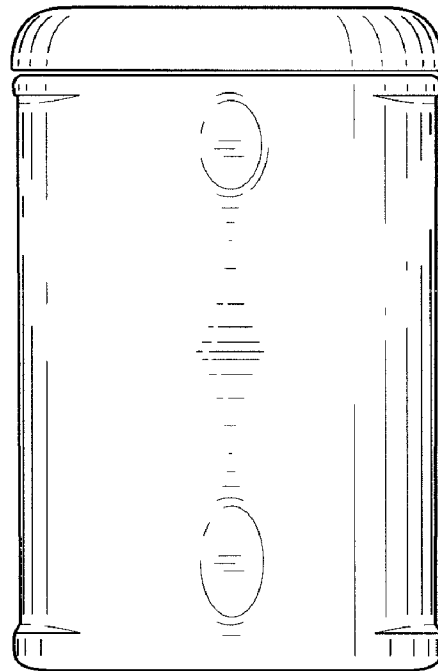


FIG. 6

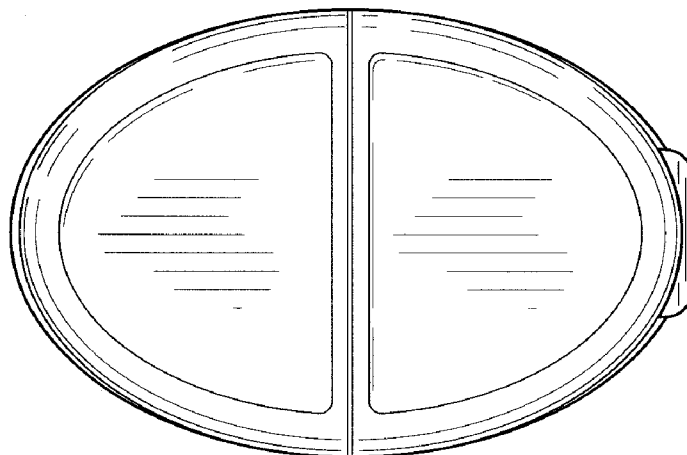


FIG. 7

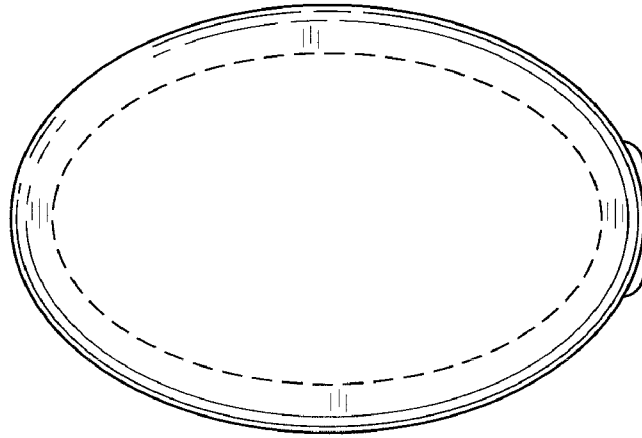


FIG. 8

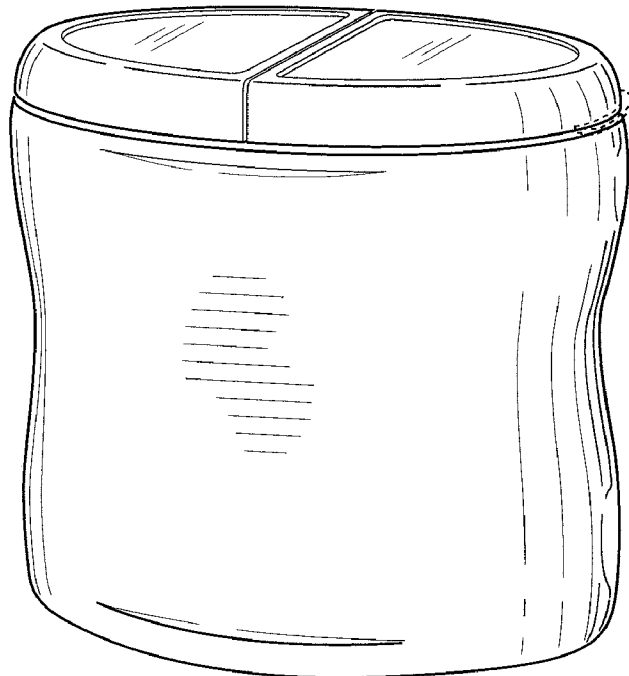


FIG. 9

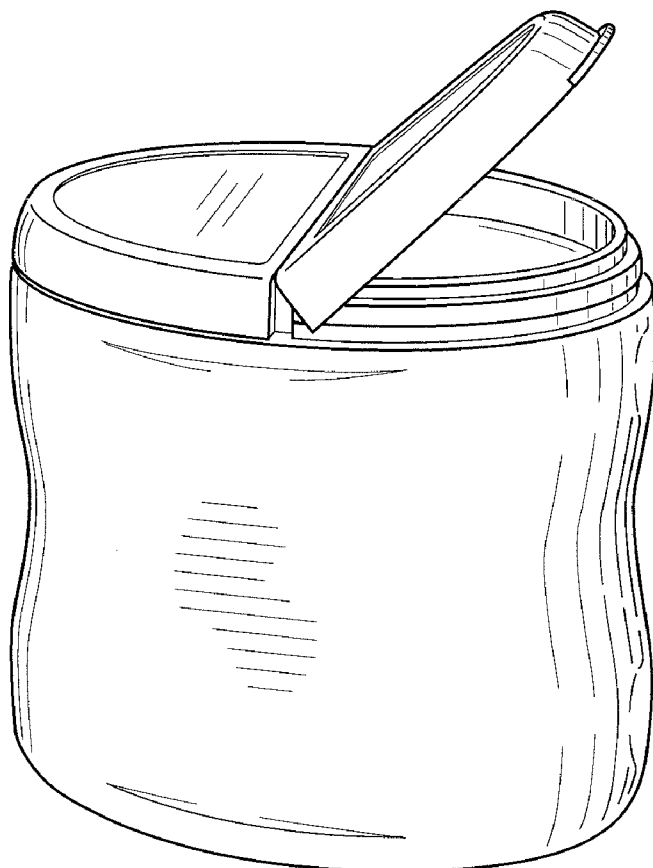


FIG. 11

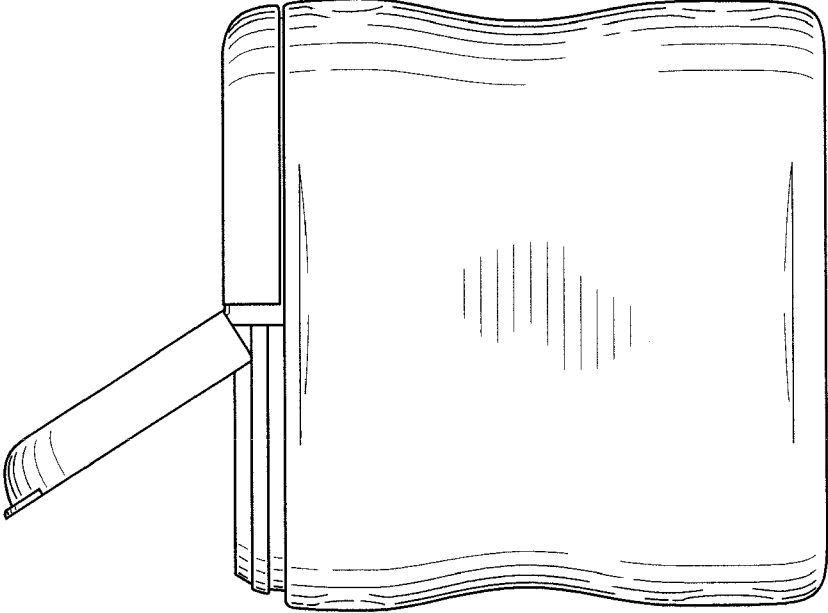


FIG. 10

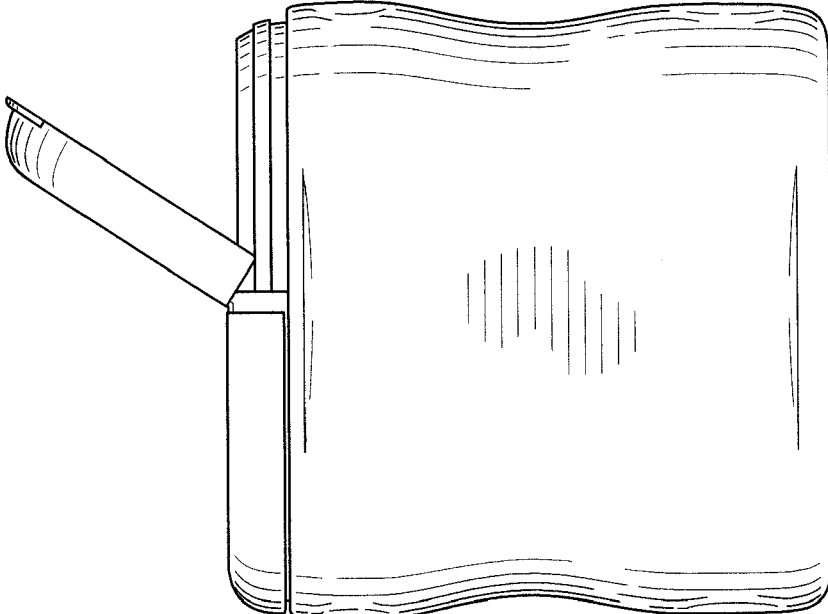


FIG. 12

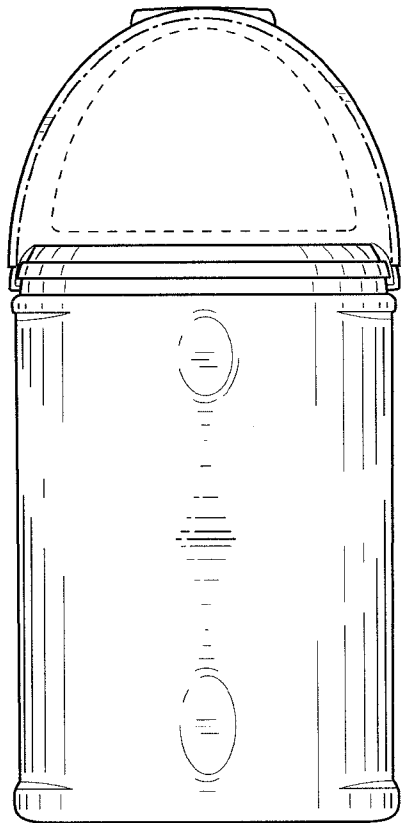


FIG. 13

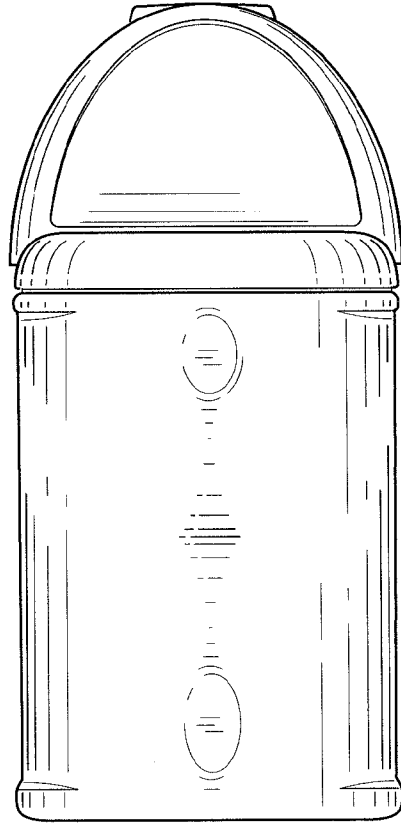


FIG. 14

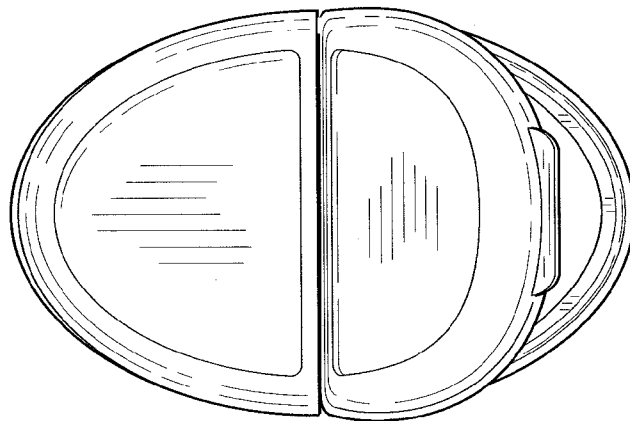


FIG. 15

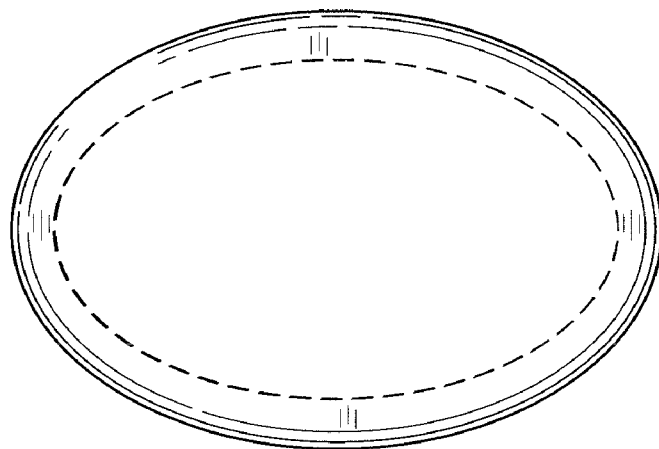


FIG. 16

