



US00D375748S

United States Patent [19]
Hartman

[11] **Patent Number:** **Des. 375,748**
[45] **Date of Patent:** ****Nov. 19, 1996**

- [54] **HAND HELD REMOTE**
- [76] **Inventor:** **William M. Hartman**, 76 Longwood Rd., Quincy, Mass. 02169
- [**] **Term:** **14 Years**
- [21] **Appl. No.:** **45,950**
- [22] **Filed:** **Nov. 3, 1995**
- [52] **U.S. Cl.** **D14/218; D14/114**
- [58] **Field of Search** **D10/104, 106; D13/168; D14/114, 217, 218, 299; 348/734; 455/151.1-151.4, 352-355**

"Hot Buttons", The International Design Magazine, May Jun. 1995, pp. 56-59.
 "You've got questions. We've got answers", RadioShack 1996 Catalog, publication date believed to be 1995, p. 207.
 MicroWAREHOUSE catalog, publication date believed to be 1995, pp. 121-123.
 "Compact Disc-Interactive", Brochure by Philips, publication date unknown.

Primary Examiner—Sandra L. Morris
Attorney, Agent, or Firm—Craig A. Summerfield; Brinks Hofer Gilson & Lione

[56] **References Cited**
U.S. PATENT DOCUMENTS

D. 326,261	5/1992	Ashmun et al. .	
D. 346,152	4/1994	Zaugg	D13/168
D. 350,736	9/1994	Takahashi et al.	D14/114
D. 352,930	11/1994	Tsuji	D13/168
D. 366,876	2/1996	Labohm	D14/218
D. 367,061	2/1996	Davidson	D14/218
D. 368,080	3/1996	Aeschbacher et al.	D14/114
D. 368,475	4/1996	Scott	D14/218
4,562,347	12/1985	Hovey et al. .	
5,008,528	4/1991	Duchon .	
5,280,276	1/1994	Kwok .	
5,428,368	6/1995	Grant .	
5,457,479	10/1995	Cheng .	

OTHER PUBLICATIONS

Audio Video Intl Jan. 1994 p. 35, Pioneer Premier remote control.
 Video Magazine Aug. 1994 p. 32 Phillips CD-i remote.

[57] **CLAIM**

The ornamental design for a hand held remote, as shown and described.

DESCRIPTION

FIG. 1 is a perspective view of a hand held remote, showing my new design;
 FIG. 2 is a front elevational view thereof;
 FIG. 3 is a rear elevational view thereof;
 FIG. 4 is a right side elevational view thereof;
 FIG. 5 is a left side elevational view thereof;
 FIG. 6 is a top plan view thereof; and,
 FIG. 7 is a bottom plan view thereof.

1 Claim, 1 Drawing Sheet

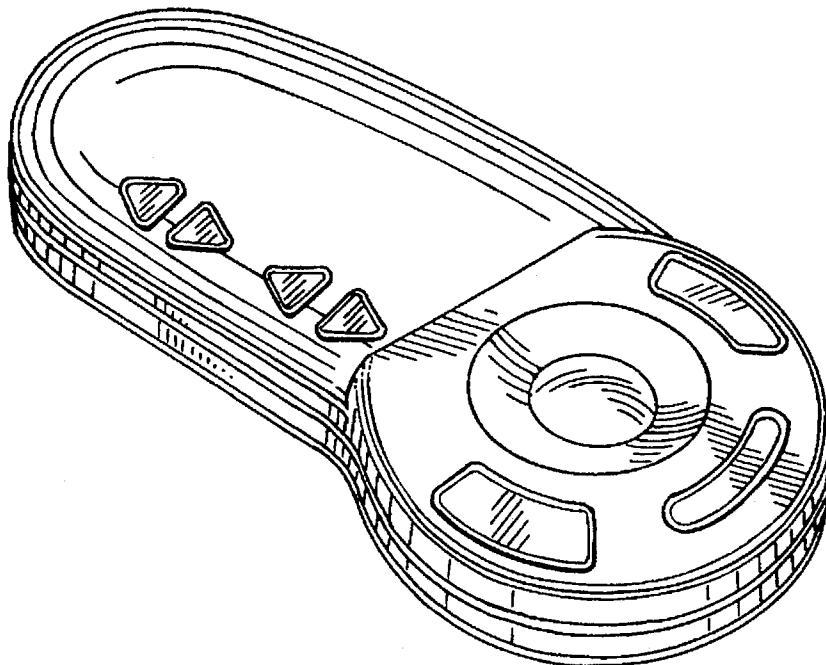


FIG.1

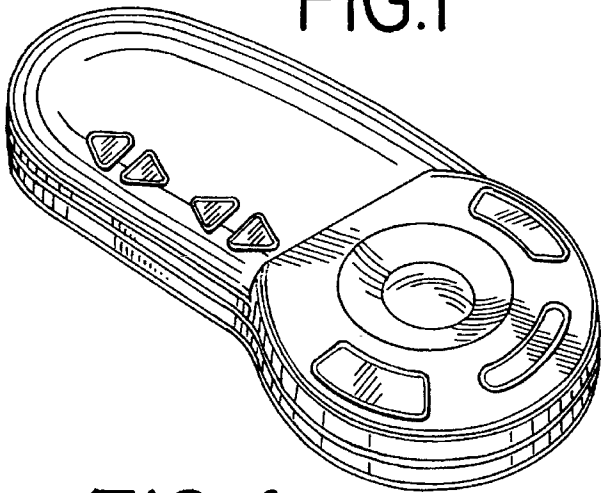


FIG.2



FIG.3

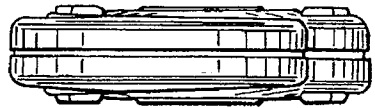


FIG.4

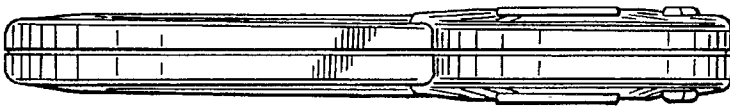


FIG.5

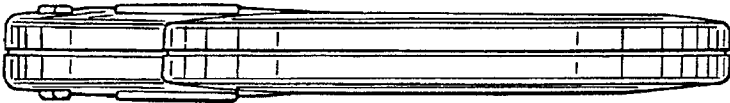


FIG.6

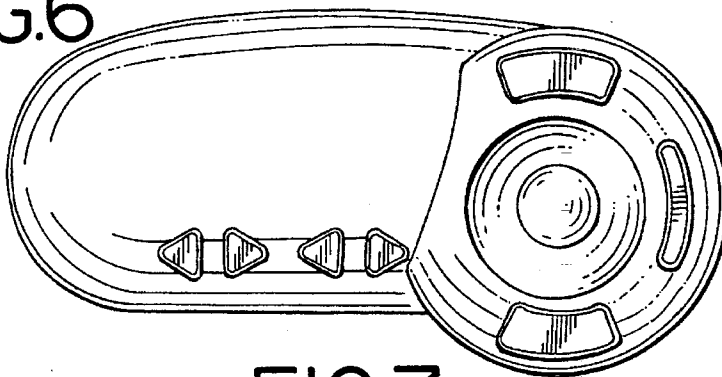


FIG.7

