



US00D607289S

(12) **United States Design Patent**
Lambert

(10) **Patent No.:** **US D607,289 S**

(45) **Date of Patent:** **** Jan. 5, 2010**

(54) **SLIM PROFILE WRENCH**

(75) Inventor: **J. Ewing Lambert**, Indianola, IA (US)

(73) Assignee: **TR Tools, L.L.C.**, Orange City, IA (US)

(**) Term: **14 Years**

(21) Appl. No.: **29/339,570**

(22) Filed: **Jul. 2, 2009**

(51) **LOC (9) Cl.** **08-05**

(52) **U.S. Cl.** **D8/28**

(58) **Field of Classification Search** D8/21-29;
81/60-63.2, 176.119, 120, 121.1, 124.3,
81/177.75, 177.7, 177.85, 186, 176.1, 176.15,
81/176.2; 206/373, 378; 16/429; 7/100,
7/138, 168

See application file for complete search history.

(56) **References Cited**

U.S. PATENT DOCUMENTS

562,689 A	6/1896	Willows	
730,509 A	6/1903	Baker	
835,034 A *	11/1906	Riddle	81/61
1,310,641 A	7/1919	Welch	
1,350,315 A	8/1920	Katzmarek	
1,635,102 A	7/1927	Watson	
1,747,527 A	2/1930	Peterson	
2,322,856 A	6/1943	LeRoue	
2,421,038 A *	5/1947	Schultz	81/61
2,466,456 A	4/1949	Lybyer	
2,669,147 A	2/1954	Koenig	
2,830,479 A	4/1958	Finn	
3,138,983 A	6/1964	Frizzell	
3,270,597 A	9/1966	Neff et al.	
3,283,621 A	11/1966	Faso	
D214,018 S *	5/1969	Traughber	D8/25
D225,606 S *	12/1972	Teichmeier	D8/25
3,714,852 A	2/1973	Giangrasso	
3,838,614 A	10/1974	Odonnell	
3,987,691 A	10/1976	Savage	
4,063,475 A	12/1977	Perkins	
4,231,271 A *	11/1980	Yamada	81/57.3
4,366,731 A	1/1983	Vallevand	

4,406,186 A	9/1983	Gummow	
4,488,461 A	12/1984	Hurtig	
4,491,042 A	1/1985	Lopochonsky	
4,534,245 A	8/1985	Rossmann	
4,593,585 A	6/1986	Hurtig	
4,748,875 A	6/1988	Lang	
4,817,475 A	4/1989	Kelly et al.	
4,819,521 A	4/1989	Lang	
4,838,131 A	6/1989	Rhoades	
4,867,016 A	9/1989	DiEdwardo	
5,144,869 A *	9/1992	Chow	81/63
D332,730 S *	1/1993	Usuda	D8/25
5,199,332 A	4/1993	Batten	
5,355,751 A	10/1994	Specht	
5,477,758 A	12/1995	Cunningham	

(Continued)

FOREIGN PATENT DOCUMENTS

GB 2 056 348 3/1981

Primary Examiner—Philip S Hyder
Assistant Examiner—Randall H Gholson
(74) *Attorney, Agent, or Firm*—McKee, Voorhees & Sease, P.L.C.

(57) **CLAIM**

The ornamental design for a slim profile wrench, as shown and described.

DESCRIPTION

FIG. 1 is a perspective view of the slim profile wrench of the present invention.

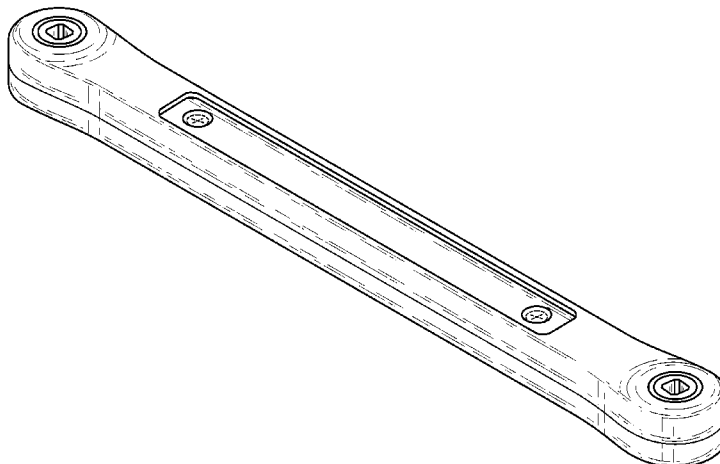
FIG. 2 is a top plan view of the wrench.

FIG. 3 is a bottom plan view of the wrench.

FIG. 4 is a side elevation view of the wrench, with the opposite side being identical; and,

FIG. 5 is an end elevation view of the wrench, with the opposite end view being identical.

1 Claim, 3 Drawing Sheets



US D607,289 S

Page 2

U.S. PATENT DOCUMENTS								
				6,752,048	B1	6/2004	Chiang	
5,540,122	A *	7/1996	Lund	6,832,531	B1 *	12/2004	Marquardt	81/57.3
5,709,137	A	1/1998	Blacklock	6,877,404	B2	4/2005	Chen	
5,732,605	A	3/1998	Mann	6,928,904	B2	8/2005	Hsien	
5,996,448	A	12/1999	Suekage	6,993,998	B1	2/2006	Kao et al.	
6,032,555	A	3/2000	Whitley	7,055,409	B2	6/2006	Hsien	
6,053,076	A	4/2000	Barnes	7,093,519	B1	8/2006	Huang	
6,151,996	A	11/2000	Whiteford	7,137,319	B2	11/2006	Hough	
6,234,049	B1	5/2001	Ju et al.	7,197,965	B1	4/2007	Anderson	
6,257,102	B1	7/2001	Perry	2002/0069728	A1	6/2002	Kady et al.	
6,286,396	B1	9/2001	Johnson	2005/0120836	A1	6/2005	Anderson	
6,311,583	B1	11/2001	Izumisawa	2006/0266167	A1	11/2006	Cole	
6,588,304	B2	7/2003	Kady et al.	2007/0074607	A1	4/2007	Balls	
D486,366	S	2/2004	Tuanmu					

* cited by examiner

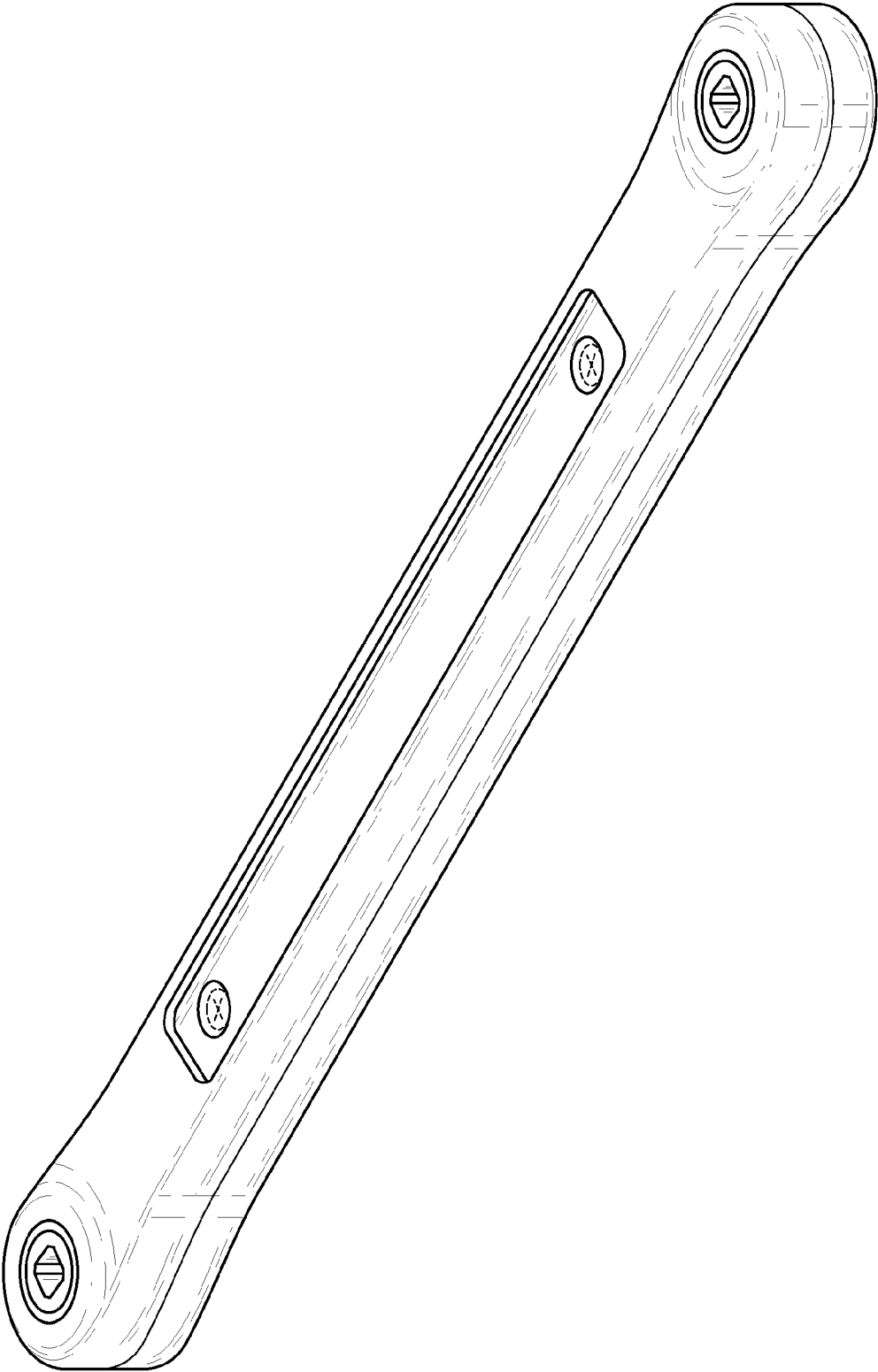


FIG. 1

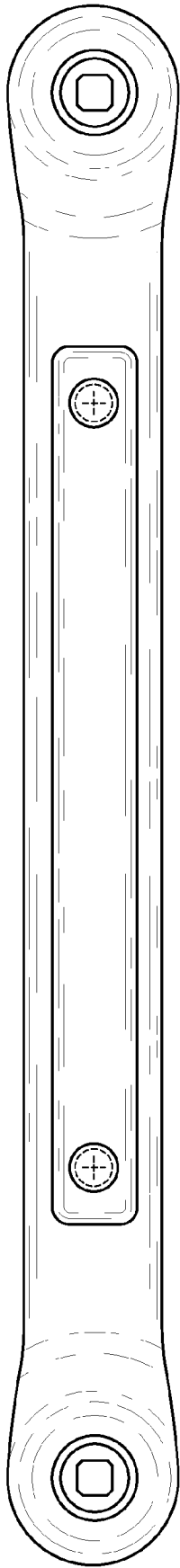


FIG. 2

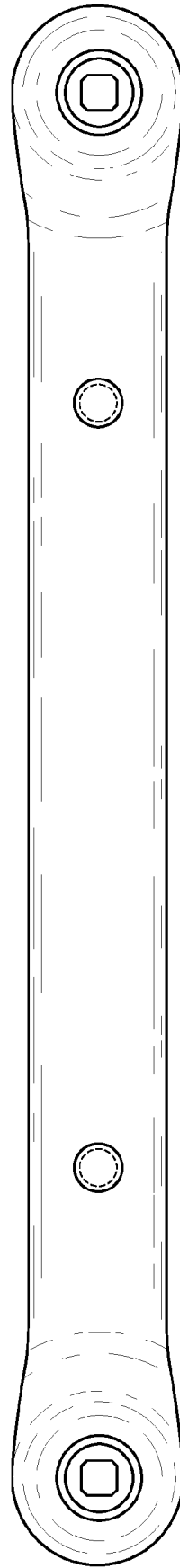


FIG. 3

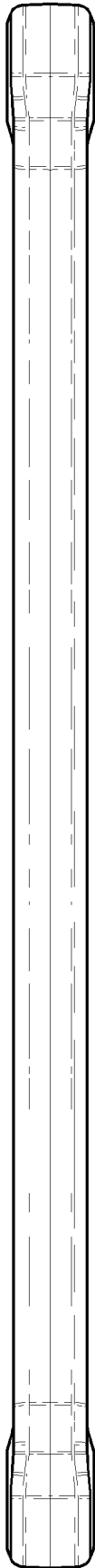


FIG. 4

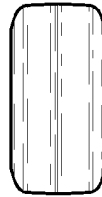


FIG. 5