



US00D757705S

(12) **United States Design Patent**  
**Esses**

(10) **Patent No.:** **US D757,705 S**

(45) **Date of Patent:** **\*\* May 31, 2016**

(54) **MOBILE DEVICE HOLDER WITH AIR FRESHENER**

(71) Applicant: **Alfred Esses**, Brooklyn, NY (US)

(72) Inventor: **Alfred Esses**, Brooklyn, NY (US)

(73) Assignee: **Alfred Esses**, Brooklyn, NY (US)

(\*\*) Term: **14 Years**

(21) Appl. No.: **29/499,842**

(22) Filed: **Aug. 19, 2014**

(51) **LOC (10) Cl.** ..... **14-03**

(52) **U.S. Cl.**  
USPC ..... **D14/251**

(58) **Field of Classification Search**  
USPC ..... D12/415; D14/140, 142, 203.8, 217,  
D14/251, 252, 253, 256, 432, 433, 434, 447,  
D14/451; 239/6, 8; 248/176.1, 451;  
348/373, 376; 361/679.09, 679.21,  
361/679.26, 679.3, 679.55, 679.56;  
455/575.1, 575.9

See application file for complete search history.

(56) **References Cited**

**U.S. PATENT DOCUMENTS**

6,099,137	A	8/2000	McCormack	
D690,707	S	* 10/2013	Minn	D14/447
D716,215	S	* 10/2014	Dunn	D12/415
D720,759	S	* 1/2015	Deng	D14/447
D733,115	S	* 6/2015	Aspinall	D14/253
D735,112	S	* 7/2015	Deng	D12/415

**FOREIGN PATENT DOCUMENTS**

CN	200947724	Y	9/2007
CN	202950996	U	5/2013
GB	2292271	A	2/1996

**OTHER PUBLICATIONS**

<http://terrywhite.com/i-found-the-perfect-smartphone-car-mount/>  
Posted Jun. 28, 2013.\*

\* cited by examiner

*Primary Examiner* — Susan Bennett Hattan

*Assistant Examiner* — Leanne Was

(74) *Attorney, Agent, or Firm* — Morritt Hock & Hamroff LLP; Steven S. Rubin, Esq.

(57) **CLAIM**

The ornamental design for a mobile device holder with air freshener, as shown and described.

**DESCRIPTION**

FIG. 1 is a side isometric view of a mobile device holder with air freshener;

FIG. 2 is a rear perspective view thereof;

FIG. 3 is a left side perspective view thereof;

FIG. 4 is a front perspective view thereof;

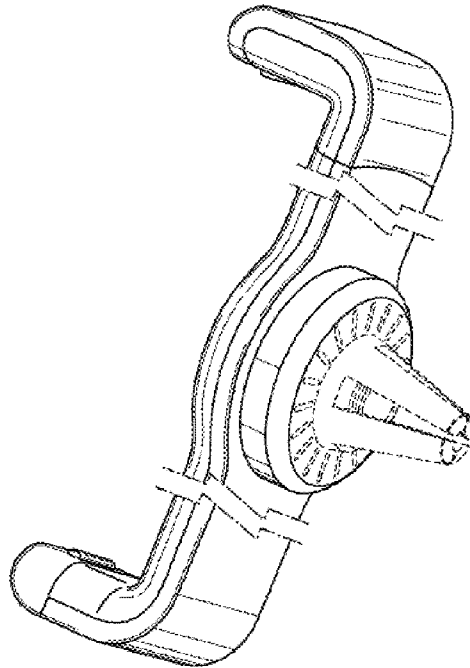
FIG. 5 is a right perspective view thereof;

FIG. 6 is a top perspective view thereof; and,

FIG. 7 is a bottom perspective view thereof.

The dash-dash-dash lines depict unclaimed environment. The dash-dash-dash lines and regions bounded by the dash-dash-dash lines form no part of the claimed design. The unevenly spaced dashed break lines in the drawings depict the boundaries of the Claim. The portion between the break lines forms no part of the claimed design.

**1 Claim, 4 Drawing Sheets**



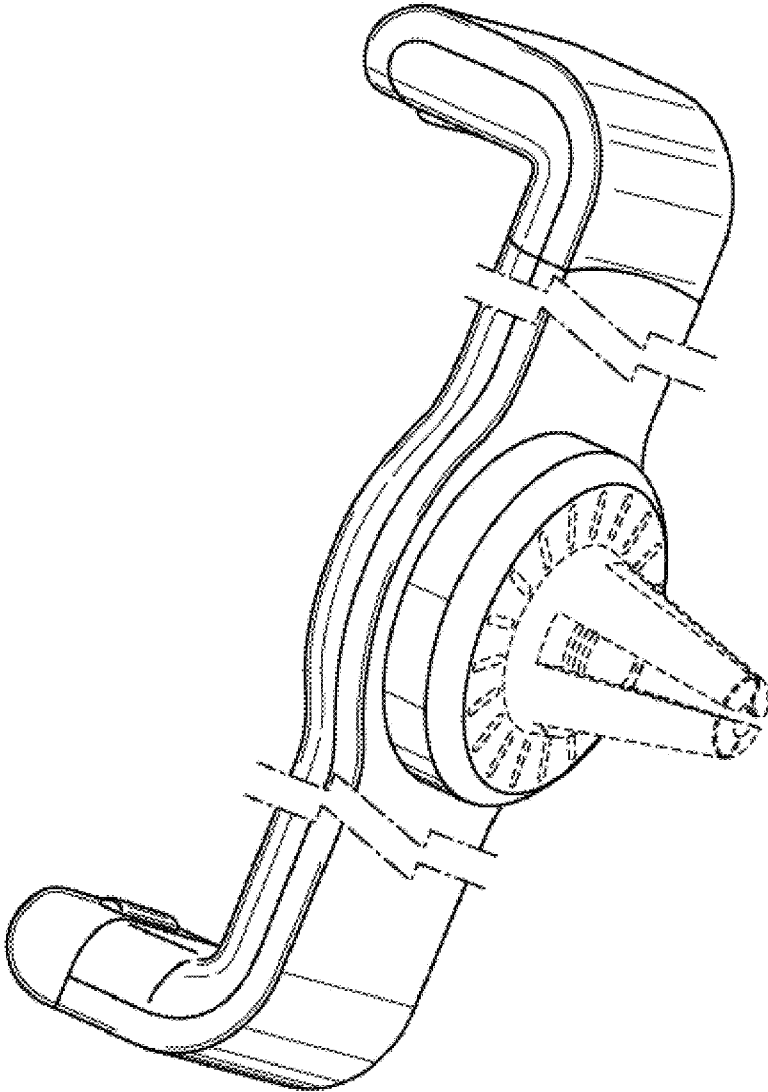


FIG. 1

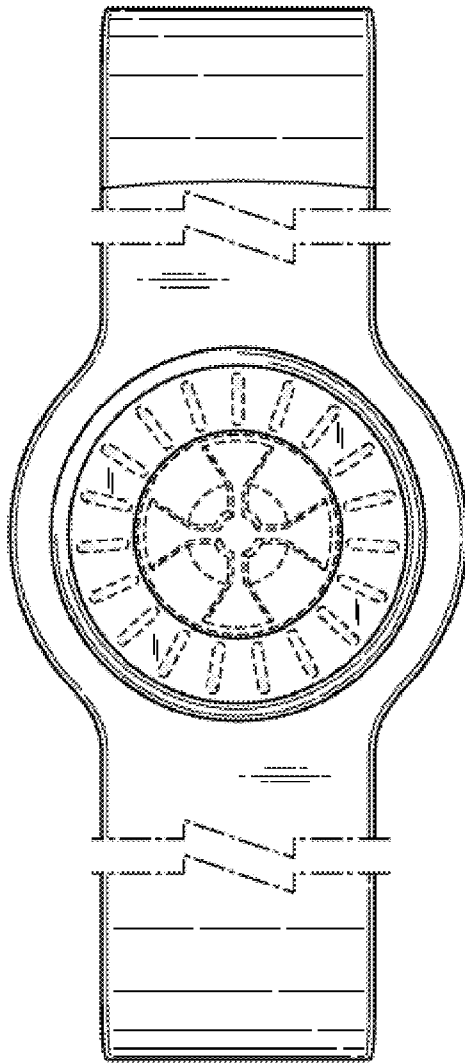


FIG. 2

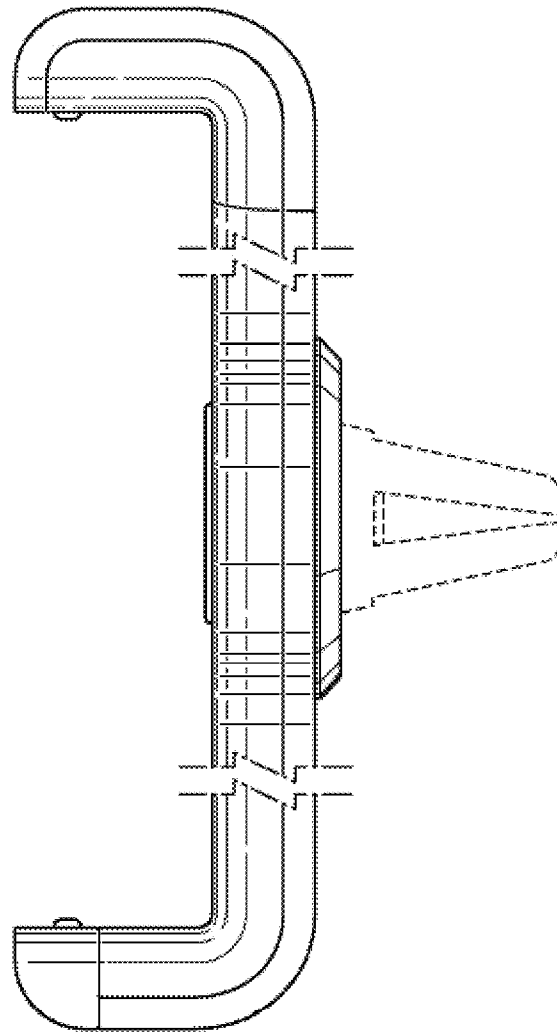


FIG. 3

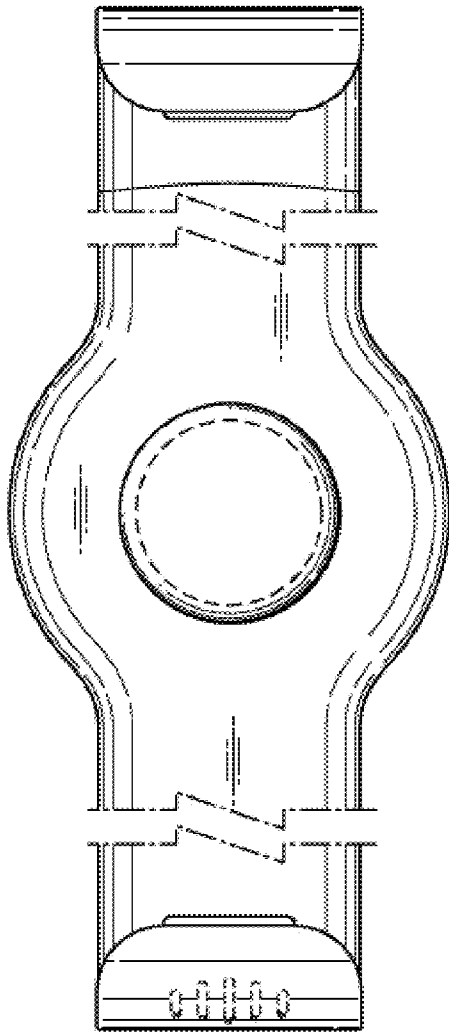


FIG. 4

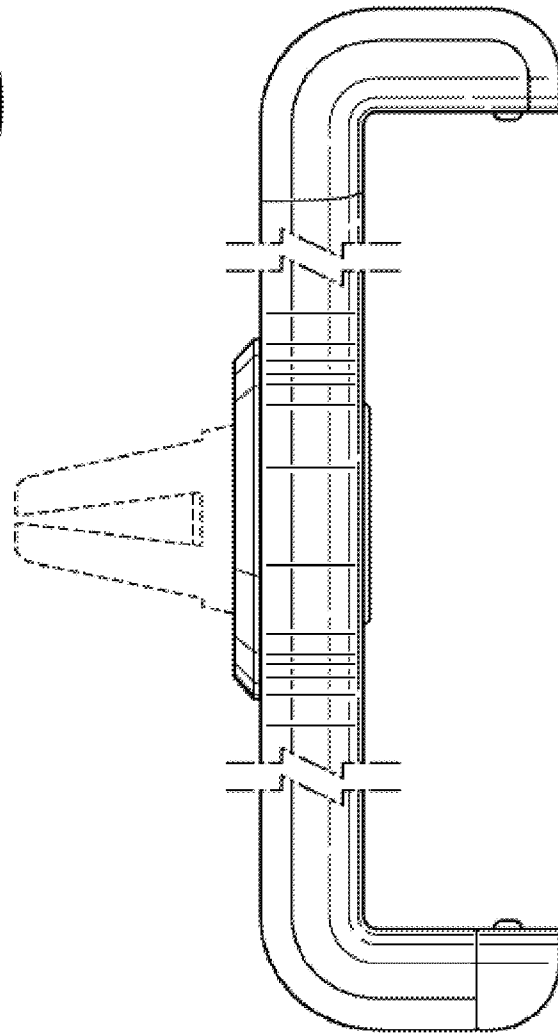


FIG. 5

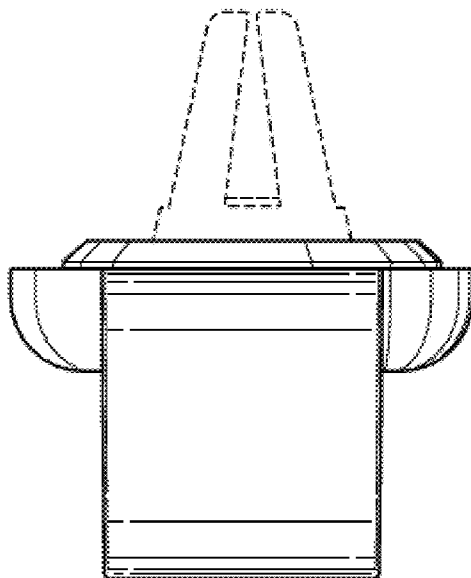


FIG. 6

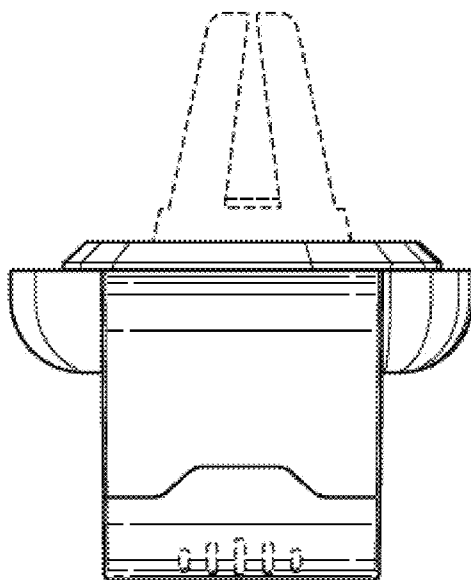


FIG. 7