

(19) World Intellectual Property Organization
International Bureau



(43) International Publication Date
30 April 2009 (30.04.2009)

PCT

(10) International Publication Number
WO 2009/053811 A3

(51) International Patent Classification:

A47J 31/30 (2006.01) B65D 65/46 (2006.01)
A47J 31/06 (2006.01) B65D 85/804 (2006.01)

(21) International Application Number:

PCT/IB2008/002805

(22) International Filing Date: 21 October 2008 (21.10.2008)

(25) Filing Language: Italian

(26) Publication Language: English

(30) Priority Data:

MO2007A000323 22 October 2007 (22.10.2007) IT

(71) Applicant (for all designated States except US): **ILLY-CAFFÈ'S S.P.A.** [IT/IT]; Via Flavia 110, I-34147 Trieste (TS) (IT).

(72) Inventors; and

(75) Inventors/Applicants (for US only): **SUGGI, Liverani, Furio** [IT/IT]; Via Hermet,6, I-34123 Trieste (IT). **NAVARINI, Luciano** [IT/IT]; Via del Monte Cengio, 2/2, I-34100 Trieste (TS) (IT). **SAVONITTI, Oriana** [IT/IT]; Via Arrio 81/1, I-33030 Buja (UD) (IT).

(74) Agent: **CRUGNOLA, Pietro**; Luppi & Associati S.r.l., Via Camperio 11, I-20123 Milano (IT).

(81) Designated States (unless otherwise indicated, for every kind of national protection available): AE, AG, AL, AM, AO, AT, AU, AZ, BA, BB, BG, BH, BR, BW, BY, BZ, CA, CH, CN, CO, CR, CU, CZ, DE, DK, DM, DO, DZ, EC, EE, EG, ES, FI, GB, GD, GE, GH, GM, GT, HN, HR, HU, ID, IL, IN, IS, JP, KE, KG, KM, KN, KP, KR, KZ, LA, LC, LK, LR, LS, LT, LU, LY, MA, MD, ME, MG, MK, MN, MW, MX, MY, MZ, NA, NG, NI, NO, NZ, OM, PG, PH, PL, PT, RO, RS, RU, SC, SD, SE, SG, SK, SL, SM, ST, SV, SY, TJ, TM, TN, TR, TT, TZ, UA, UG, US, UZ, VC, VN, ZA, ZM, ZW.

(84) Designated States (unless otherwise indicated, for every kind of regional protection available): ARIPO (BW, GH, GM, KE, LS, MW, MZ, NA, SD, SL, SZ, TZ, UG, ZM, ZW), Eurasian (AM, AZ, BY, KG, KZ, MD, RU, TJ, TM), European (AT, BE, BG, CH, CY, CZ, DE, DK, EE, ES, FI, FR, GB, GR, HR, HU, IE, IS, IT, LT, LU, LV, MC, MT, NL, NO, PL, PT, RO, SE, SI, SK, TR), OAPI (BF, BJ, CF, CG, CI, CM, GA, GN, GQ, GW, ML, MR, NE, SN, TD, TG).

Declarations under Rule 4.17:

— as to applicant's entitlement to apply for and be granted a patent (Rule 4.17(ii))

[Continued on next page]

(54) Title: FUNNEL ELEMENT FOR MOCHA PROVIDED WITH PERFORATION MEANS AND CARTRIDGE THEREFOR

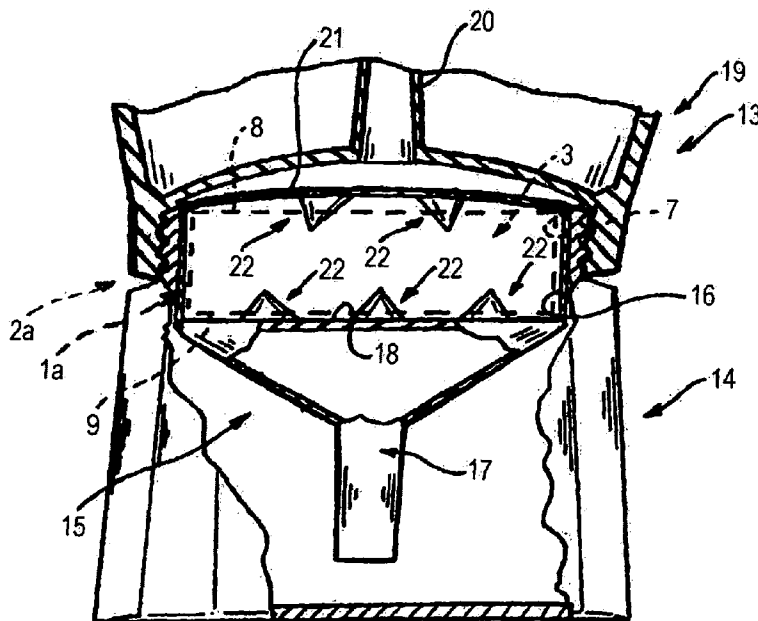


Fig. 9

(57) Abstract: A container (1; 1a), arranged for containing a dosed quantity of a solid product (P), from which a beverage is extractable comprises wall means (4, 4a, 5, 5a, 6; 7, 8, 9; 40, 41) defining a cavity (3) suitable for containing said product (P), said wall means (4, 4a, 5, 5a, 6; 7, 8, 9; 40, 41) being made of a material that is impermeable to water and oxygen; a container (1a), arranged for containing a dosed quantity of a solid product (P), from which a beverage is extractable comprises wall means (7, 8, 9) defining a cavity (3) suitable for containing said solid product (P) and comprising a portion (8, 9) wherein there is obtained a plurality of holes (10), said portion (8, 9) being coated by removable closing means (11, 12) made of a material that is impermeable to water and oxygen; a filtering funnel element (15) and/or a tank element (19) for mocha-type coffee maker (13) are provided with perforating means (22; 23) arranged for perforating wall means (8, 9) of a container (1a) that is insertible into said filtering funnel element (15) and containing a dosed quantity of a product (P) from which a beverage is extractable by means of said coffee maker (13).

WO 2009/053811 A3



— *as to the applicant's entitlement to claim the priority of the earlier application (Rule 4.17(iii))* — *before the expiration of the time limit for amending the claims and to be republished in the event of receipt of amendments*

Published:

— *with international search report*

(88) Date of publication of the international search report:

6 August 2009

INTERNATIONAL SEARCH REPORT

International application No
PCT/IB2008/002805

A. CLASSIFICATION OF SUBJECT MATTER INV. A47J31/30 A47J31/06 B65D65/46 B65D85/804		
According to International Patent Classification (IPC) or to both national classification and IPC		
B. FIELDS SEARCHED		
Minimum documentation searched (classification system followed by classification symbols) A47J B65D		
Documentation searched other than minimum documentation to the extent that such documents are included in the fields searched		
Electronic data base consulted during the international search (name of data base and, where practical, search terms used) EPO-Internal		
C. DOCUMENTS CONSIDERED TO BE RELEVANT		
Category*	Citation of document, with indication, where appropriate, of the relevant passages	Relevant to claim No.
X A A E	US 6 062 127 A (KLOSINSKI BOGUSLAW [US] ET AL) 16 May 2000 (2000-05-16) column 4, lines 27-38; figure 5 ----- US 3 403 617 A (LAMPE WILLY G) 1 October 1968 (1968-10-01) column 2, lines 58-71; figures ----- WO 2008/155226 A (CIE MEDITERRANEENNE DES CAFES [FR]; BLANC JEAN-PIERRE [FR]) 24 December 2008 (2008-12-24) page 4, line 15 - page 5, line 10 page 8, lines 23-28 figure ----- -/--	1-3,6-8, 12,13,23 14 3-11,14, 16-22 24-27, 34,35, 47, 49-53, 55,61,62
<input checked="" type="checkbox"/> Further documents are listed in the continuation of Box C. <input checked="" type="checkbox"/> See patent family annex.		
* Special categories of cited documents :		
A document defining the general state of the art which is not considered to be of particular relevance *E* earlier document but published on or after the international filing date *L* document which may throw doubts on priority claim(s) or which is cited to establish the publication date of another citation or other special reason (as specified) *O* document referring to an oral disclosure, use, exhibition or other means *P* document published prior to the international filing date but later than the priority date claimed	*T* later document published after the international filing date or priority date and not in conflict with the application but cited to understand the principle or theory underlying the invention *X* document of particular relevance; the claimed invention cannot be considered novel or cannot be considered to involve an inventive step when the document is taken alone *Y* document of particular relevance; the claimed invention cannot be considered to involve an inventive step when the document is combined with one or more other such documents, such combination being obvious to a person skilled in the art. *&* document member of the same patent family	
Date of the actual completion of the international search	Date of mailing of the international search report	
16 June 2009	25/06/2009	
Name and mailing address of the ISA/ European Patent Office, P.B. 5818 Patentlaan 2 NL - 2280 HV Rijswijk Tel. (+31-70) 340-2040, Fax: (+31-70) 340-3016	Authorized officer Novelli, Bruno	

INTERNATIONAL SEARCH REPORT

International application No
PCT/IB2008/002805

C(Continuation). DOCUMENTS CONSIDERED TO BE RELEVANT		
Category*	Citation of document, with indication, where appropriate, of the relevant passages	Relevant to claim No.
X	US 5 656 311 A (FOND OLIVIER [CH]) 12 August 1997 (1997-08-12)	24-26, 28-30, 32,48, 52,53, 56,57, 60-62
A	column 3, line 53 - column 4, line 53; figure 6	72,73, 76,118, 119
X	EP 1 579 792 A (ILLYCAFFE SPA [IT]) 28 September 2005 (2005-09-28)	24-26, 28, 30-32, 34,35, 42,47, 56-58, 61,62, 97-102, 107-110, 112,113, 116,117, 120,121, 142,143
A	paragraphs [0028], [0029], [0051], [0052], [0132] - [0139]; figures 1,2,12,13	74,105, 123,125, 126,133, 138,139
A	GB 803 486 A (PHILLIP PERCY SPIELMAN) 29 October 1958 (1958-10-29)	26, 33-37, 42,43, 45,47
	page 2, lines 50-75,119-130	
X	WO 03/073896 A (NEXSOL TECHNOLOGIES INC [KR]; KIM FIJEAU [KR]) 12 September 2003 (2003-09-12)	63-71, 75,95,96
A	page 7, lines 6-25 page 9, line 15 - page 10, line 1 page 10, line 22 - page 11, line 12 page 12, lines 19-23 page 13, lines 16-25 page 15, line 19 - page 16, line 5 figures	141
X	WO 02/081337 A (TUTTOESPRESSO SPA [IT]; MAJER DOGLIONI LUCA [IT]) 17 October 2002 (2002-10-17)	97-103, 107-113, 142,143
A	page 7, line 15 - page 9, line 11; figures 4-7	105,106
	----- -/--	

INTERNATIONAL SEARCH REPORT

International application No
PCT/IB2008/002805

C(Continuation). DOCUMENTS CONSIDERED TO BE RELEVANT		
Category*	Citation of document, with indication, where appropriate, of the relevant passages	Relevant to claim No.
X	WO 2006/030461 A (TUTTOESPRESSO SPA [IT]; DOGLIONI MAJER LUCA [IT]) 23 March 2006 (2006-03-23) page 9, line 13 - page 11, line 14 page 12, lines 2-10 figures 1,2,9 -----	97-102, 104-110, 112,113

INTERNATIONAL SEARCH REPORT

International application No.
PCT/IB2008/002805

Box No. II Observations where certain claims were found unsearchable (Continuation of item 2 of first sheet)

This international search report has not been established in respect of certain claims under Article 17(2)(a) for the following reasons:

1. Claims Nos.:
because they relate to subject matter not required to be searched by this Authority, namely:

2. Claims Nos.:
because they relate to parts of the international application that do not comply with the prescribed requirements to such an extent that no meaningful international search can be carried out, specifically:

3. Claims Nos.:
because they are dependent claims and are not drafted in accordance with the second and third sentences of Rule 6.4(a).

Box No. III Observations where unity of invention is lacking (Continuation of item 3 of first sheet)

This International Searching Authority found multiple inventions in this international application, as follows:

see additional sheet

1. As all required additional search fees were timely paid by the applicant, this international search report covers allsearchable claims.
2. As all searchable claims could be searched without effort justifying an additional fees, this Authority did not invite payment of additional fees.
3. As only some of the required additional search fees were timely paid by the applicant, this international search report covers only those claims for which fees were paid, specifically claims Nos.:
4. No required additional search fees were timely paid by the applicant. Consequently, this international search report is restricted to the invention first mentioned in the claims; it is covered by claims Nos.:

Remark on Protest

- The additional search fees were accompanied by the applicant's protest and, where applicable, the payment of a protest fee.
- The additional search fees were accompanied by the applicant's protest but the applicable protest fee was not paid within the time limit specified in the invitation.
- No protest accompanied the payment of additional search fees.

FURTHER INFORMATION CONTINUED FROM PCT/ISA/ 210

This International Searching Authority found multiple (groups of) inventions in this international application, as follows:

1. claims: 1-23

Filtering funnel and collecting tank elements for moch-type coffee maker provided with perforating means. Coffee maker comprising such elements.

2. claims: 24-62

Container having wall means made of a material that is impermeable to water and oxygen

3. claims: 63-96

Container having wall means comprising a portion with a plurality of holes, said portion being coated by removable closing means

4. claims: 97-143

Container comprising perforating means

INTERNATIONAL SEARCH REPORT

International application No
PCT/IB2008/002805

Patent document cited in search report	Publication date	Patent family member(s)	Publication date
US 6062127	A	16-05-2000	NONE
US 3403617	A	01-10-1968	NONE
WO 2008155226	A	24-12-2008	FR 2917722 A1- 26-12-2008
US 5656311	A	12-08-1997	NONE
EP 1579792	A	28-09-2005	AR 048338 A1 19-04-2006 AT 368410 T 15-08-2007 DE 602004007881 T2 10-04-2008 DK 1579792 T3 24-09-2007 ES 2290573 T3 16-02-2008
GB 803486	A	29-10-1958	NONE
WO 03073896	A	12-09-2003	AU 2003215924 A1 16-09-2003 KR 20020028977 A 17-04-2002
WO 02081337	A	17-10-2002	AR 033090 A1 03-12-2003 AU 2002249501 B2 28-09-2006 BR 0208804 A 09-03-2004 CA 2449092 A1 17-10-2002 CN 1514795 A 21-07-2004 EP 1409371 A1 21-04-2004 IT MI20010741 A1 07-10-2002 JP 2004534697 T 18-11-2004 MX PA03009127 A 22-11-2004 NZ 528558 A 24-03-2005 TW 225456 B 21-12-2004 US 2004115317 A1 17-06-2004
WO 2006030461	A	23-03-2006	AR 055256 A1 15-08-2007 AU 2004323285 A1 23-03-2006 BR PI0419063 A 11-12-2007 CN 101056802 A 17-10-2007 EP 1807318 A1 18-07-2007