



(51) International Patent Classification:

*B29C 64/393* (2017.01)      *B22F 3/105* (2006.01)  
*G06F 17/50* (2006.01)      *B29C 64/153* (2017.01)  
*B29C 64/209* (2017.01)      *B33Y 50/02* (2015.01)  
*B29C 64/264* (2017.01)      *B33Y 10/00* (2015.01)

(21) International Application Number:

PCT/US2018/058090

(22) International Filing Date:

30 October 2018 (30.10.2018)

(25) Filing Language:

English

(26) Publication Language:

English

(30) Priority Data:

15/807,434      08 November 2017 (08.11.2017) US

(71) Applicant: **GENERAL ELECTRIC COMPANY**  
[US/US]; 1 River Road, Schenectady, New York 12345  
(US).

(72) Inventors: **MAMRAK, Justin**; GENERAL ELECTRIC  
COMPANY, 9701 Windisch Road, West Chester, Ohio  
45069 (US). **REDDING, MacKenzie Ryan**; GENERAL  
ELECTRIC COMPANY, 11988 Tramway Drive, Cincin-  
nati, Ohio 45241 (US). **FIELDMAN, Zachary David**;

GENERAL ELECTRIC COMPANY, 9701 Windisch  
Road, West Chester, Ohio 45069 (US).

(74) Agent: **MARSHALL, Alan, R.** et al.; Dority & Manning,  
P.A., P.O. Box 1449, Greenville, SC 29602 (US).

(81) Designated States (*unless otherwise indicated, for every  
kind of national protection available*): AE, AG, AL, AM,  
AO, AT, AU, AZ, BA, BB, BG, BH, BN, BR, BW, BY, BZ,  
CA, CH, CL, CN, CO, CR, CU, CZ, DE, DJ, DK, DM, DO,  
DZ, EC, EE, EG, ES, FI, GB, GD, GE, GH, GM, GT, HN,  
HR, HU, ID, IL, IN, IR, IS, JO, JP, KE, KG, KH, KN, KP,  
KR, KW, KZ, LA, LC, LK, LR, LS, LU, LY, MA, MD, ME,  
MG, MK, MN, MW, MX, MY, MZ, NA, NG, NI, NO, NZ,  
OM, PA, PE, PG, PH, PL, PT, QA, RO, RS, RU, RW, SA,  
SC, SD, SE, SG, SK, SL, SM, ST, SV, SY, TH, TJ, TM, TN,  
TR, TT, TZ, UA, UG, US, UZ, VC, VN, ZA, ZM, ZW.

(84) Designated States (*unless otherwise indicated, for every  
kind of regional protection available*): ARIPO (BW, GH,  
GM, KE, LR, LS, MW, MZ, NA, RW, SD, SL, ST, SZ, TZ,  
UG, ZM, ZW), Eurasian (AM, AZ, BY, KG, KZ, RU, TJ,  
TM), European (AL, AT, BE, BG, CH, CY, CZ, DE, DK,  
EE, ES, FI, FR, GB, GR, HR, HU, IE, IS, IT, LT, LU, LV,  
MC, MK, MT, NL, NO, PL, PT, RO, RS, SE, SI, SK, SM,

(54) Title: DMLM BUILD PLATFORM AND SURFACE FLATTENING

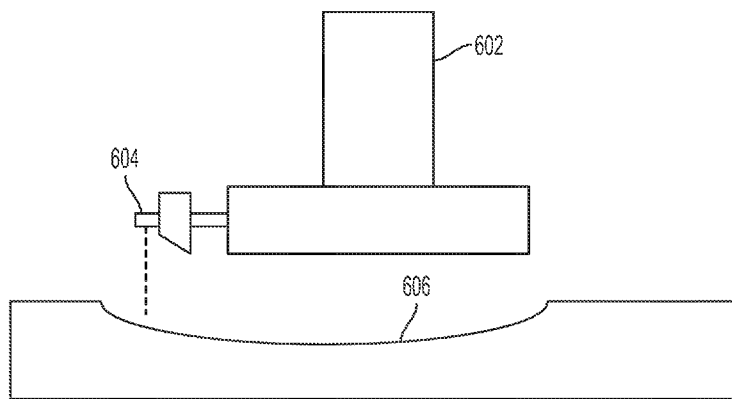


FIG. 6

(57) Abstract: A method of fabricating an object by additive manufacturing is provided. The method includes measuring a build surface for building the object, determining which areas of the build surface are depressed, and initiating a build of the object at one of the depressed areas of the build surface. The initial building includes the steps of depositing a given layer of powder at the one depressed area of the build surface, fusing the given layer of powder at the one depressed area, and depositing a subsequent layer of powder at the one depressed area. The steps are repeating until the build surface is at a layer that is unified across the build surface.



TR), OAPI (BF, BJ, CF, CG, CI, CM, GA, GN, GQ, GW, KM, ML, MR, NE, SN, TD, TG).

**Declarations under Rule 4.17:**

- *as to applicant's entitlement to apply for and be granted a patent (Rule 4.17(ii))*
- *as to the applicant's entitlement to claim the priority of the earlier application (Rule 4.17(iii))*

**Published:**

- *with international search report (Art. 21(3))*
- *before the expiration of the time limit for amending the claims and to be republished in the event of receipt of amendments (Rule 48.2(h))*

**(88) Date of publication of the international search report:**

15 August 2019 (15.08.2019)

## INTERNATIONAL SEARCH REPORT

International application No.  
**PCT/US2018/058090****A. CLASSIFICATION OF SUBJECT MATTER****B29C 64/393(2017.01)i, G06F 17/50(2006.01)i, B29C 64/209(2017.01)i, B29C 64/264(2017.01)i, B22F 3/105(2006.01)i, B29C 64/153(2017.01)i, B33Y 50/02(2015.01)i, B33Y 10/00(2015.01)i**

According to International Patent Classification (IPC) or to both national classification and IPC

**B. FIELDS SEARCHED**

Minimum documentation searched (classification system followed by classification symbols)

B29C 64/393; B22F 3/105; B29C 67/00; B33Y 10/00; B33Y 30/00; E01C 11/00; G06F 19/00; G06F 17/50; B29C 64/209; B29C 64/264; B29C 64/153; B33Y 50/02

Documentation searched other than minimum documentation to the extent that such documents are included in the fields searched

Korean utility models and applications for utility models  
Japanese utility models and applications for utility models

Electronic data base consulted during the international search (name of data base and, where practicable, search terms used)

eKOMPASS(KIPO internal) &amp; Keywords: additive manufacturing, depressed area, topography

**C. DOCUMENTS CONSIDERED TO BE RELEVANT**

Category*	Citation of document, with indication, where appropriate, of the relevant passages	Relevant to claim No.
X	US 9802360 B2 (STRATASYS, INC.) 31 October 2017 See claim 1; column 9, lines 6-8; and figures 1-5.	1-5,9-13
Y		6-8
Y	WO 2015-091813 A1 (ARCAM AB) 25 June 2015 See abstract; paragraphs [0036], [0038]; and figure 3.	6-8
A	CN 106903315 A (CHANGSHA NEW MATERIALS INDUSTRY RESEARCH INSTITUTE CO., LTD.) 30 June 2017 See the entire document.	1-13
A	CN 106925785 A (CHANGSHA NEW MATERIALS INDUSTRY RESEARCH INSTITUTE CO., LTD.) 07 July 2017 See the entire document.	1-13
A	US 2017-0305137 A1 (FLITSCH, R. A. et al.) 26 October 2017 See the entire document.	1-13

 Further documents are listed in the continuation of Box C. See patent family annex.

\* Special categories of cited documents:

"A" document defining the general state of the art which is not considered to be of particular relevance

"E" earlier application or patent but published on or after the international filing date

"L" document which may throw doubts on priority claim(s) or which is cited to establish the publication date of another citation or other special reason (as specified)

"O" document referring to an oral disclosure, use, exhibition or other means

"P" document published prior to the international filing date but later than the priority date claimed

"T" later document published after the international filing date or priority date and not in conflict with the application but cited to understand the principle or theory underlying the invention

"X" document of particular relevance; the claimed invention cannot be considered novel or cannot be considered to involve an inventive step when the document is taken alone

"Y" document of particular relevance; the claimed invention cannot be considered to involve an inventive step when the document is combined with one or more other such documents, such combination being obvious to a person skilled in the art

"&amp;" document member of the same patent family

Date of the actual completion of the international search

26 June 2019 (26.06.2019)

Date of mailing of the international search report

**26 June 2019 (26.06.2019)**

Name and mailing address of the ISA/KR

International Application Division  
Korean Intellectual Property Office  
189 Cheongsa-ro, Seo-gu, Daejeon, 35208, Republic of Korea

Facsimile No. +82-42-481-8578

Authorized officer

KWON, YONGKYONG

Telephone No. +82-42-481-3371



## INTERNATIONAL SEARCH REPORT

Information on patent family members

International application No.

**PCT/US2018/058090**

Patent document cited in search report	Publication date	Patent family member(s)	Publication date
US 9802360 B2	31/10/2017	EP 2815872 A1 EP 2815872 B1 US 2014-0358273 A1 US 2018-0043610 A1	24/12/2014 04/07/2018 04/12/2014 15/02/2018
WO 2015-091813 A1	25/06/2015	CN 104681504 A CN 105828985 A CN 203871315 U EP 3083110 A1 EP 3083110 B1 US 2015-0155215 A1 US 2015-0174658 A1 US 2016-0111354 A1 US 2016-0372406 A1 US 9287227 B2 US 9466557 B2 US 9859196 B2	03/06/2015 03/08/2016 08/10/2014 26/10/2016 11/10/2017 04/06/2015 25/06/2015 21/04/2016 22/12/2016 15/03/2016 11/10/2016 02/01/2018
CN 106903315 A	30/06/2017	None	
CN 106925785 A	07/07/2017	None	
US 2017-0305137 A1	26/10/2017	CA 2914265 A1 CA 2914265 C CA 2963236 A1 CA 2992943 A1 CN 105339551 A CN 105339551 B EP 3014022 A1 EP 3014022 A4 JP 2016-535687 A JP 6510509 B2 US 10201932 B2 US 2014-0374933 A1 US 2014-0374935 A1 US 2017-0232666 A1 US 2017-0298580 A1 US 2018-0243992 A1 US 2019-0126557 A1 US 9724877 B2 US 9987792 B2 US 9988772 B2 WO 2014-209815 A1 WO 2016-168314 A1	31/12/2014 13/06/2017 31/12/2014 20/10/2016 17/02/2016 26/03/2019 04/05/2016 05/04/2017 17/11/2016 08/05/2019 12/02/2019 25/12/2014 25/12/2014 17/08/2017 19/10/2017 30/08/2018 02/05/2019 08/08/2017 05/06/2018 05/06/2018 31/12/2014 20/10/2016