



US00D494004S1

(12) **United States Design Patent**
Chapman

(10) **Patent No.:** **US D494,004 S**

(45) **Date of Patent:** **** Aug. 10, 2004**

(54) **GRILL**

(75) **Inventor:** **Wayne Chapman, Greenville, TN (US)**

(73) **Assignee:** **Meco Corporation, Greenville, TN (US)**

(**) **Term:** **14 Years**

(21) **Appl. No.:** **29/170,293**

(22) **Filed:** **Nov. 4, 2002**

(51) **LOC (7) Cl. 07-02**

(52) **U.S. Cl. D7/334**

(58) **Field of Search** D7/332-337, 402-404;
126/25 R, 25 A, 25 AA, 39 R, 41 R, 29-30,
9 R; 99/419

(56) **References Cited**

U.S. PATENT DOCUMENTS

D362,153 S	*	9/1995	Home	D7/334
D404,963 S	*	2/1999	Schlosser et al.	D7/334
D454,276 S	*	3/2002	Pai	D7/334
D459,938 S	*	7/2002	Pai	D7/334
D462,227 S	*	9/2002	Alden et al.	D7/334

D465,123 S	*	11/2002	Coleman et al.	D7/334
D466,359 S	*	12/2002	Bossler et al.	D7/334
D466,756 S	*	12/2002	Bossler et al.	D7/334
D468,954 S	*	1/2003	Pai	D7/334
D470,357 S	*	2/2003	Home	D7/334
D471,057 S	*	3/2003	Chung	D7/334
D475,235 S	*	6/2003	Home	D7/334

* cited by examiner

Primary Examiner—Ruth McInroy

(74) *Attorney, Agent, or Firm*—McGuireWoods LLP

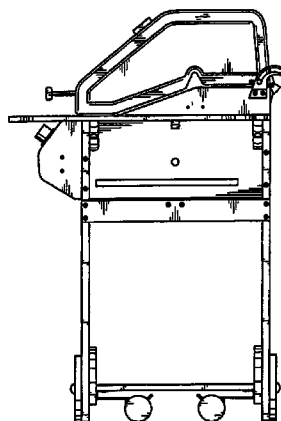
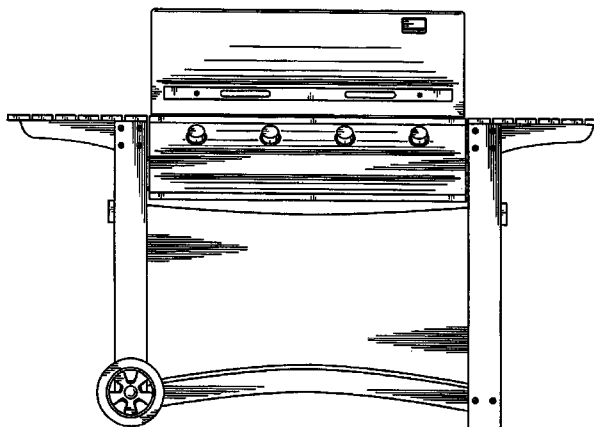
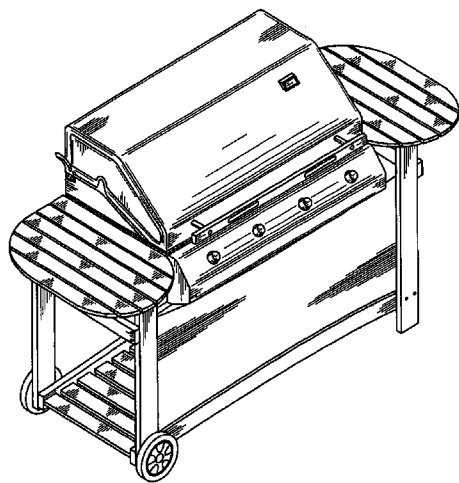
(57) **CLAIM**

I claim the ornamental design for a grill, as shown and described.

DESCRIPTION

FIG. 1 is a perspective view of grill showing my new design; FIG. 2 is a front view thereof; FIG. 3 is a back view thereof; FIG. 4 is a top plan view thereof; and, FIG. 5 is a right side elevational view thereof, the left side being a mirror image.

1 Claim, 5 Drawing Sheets



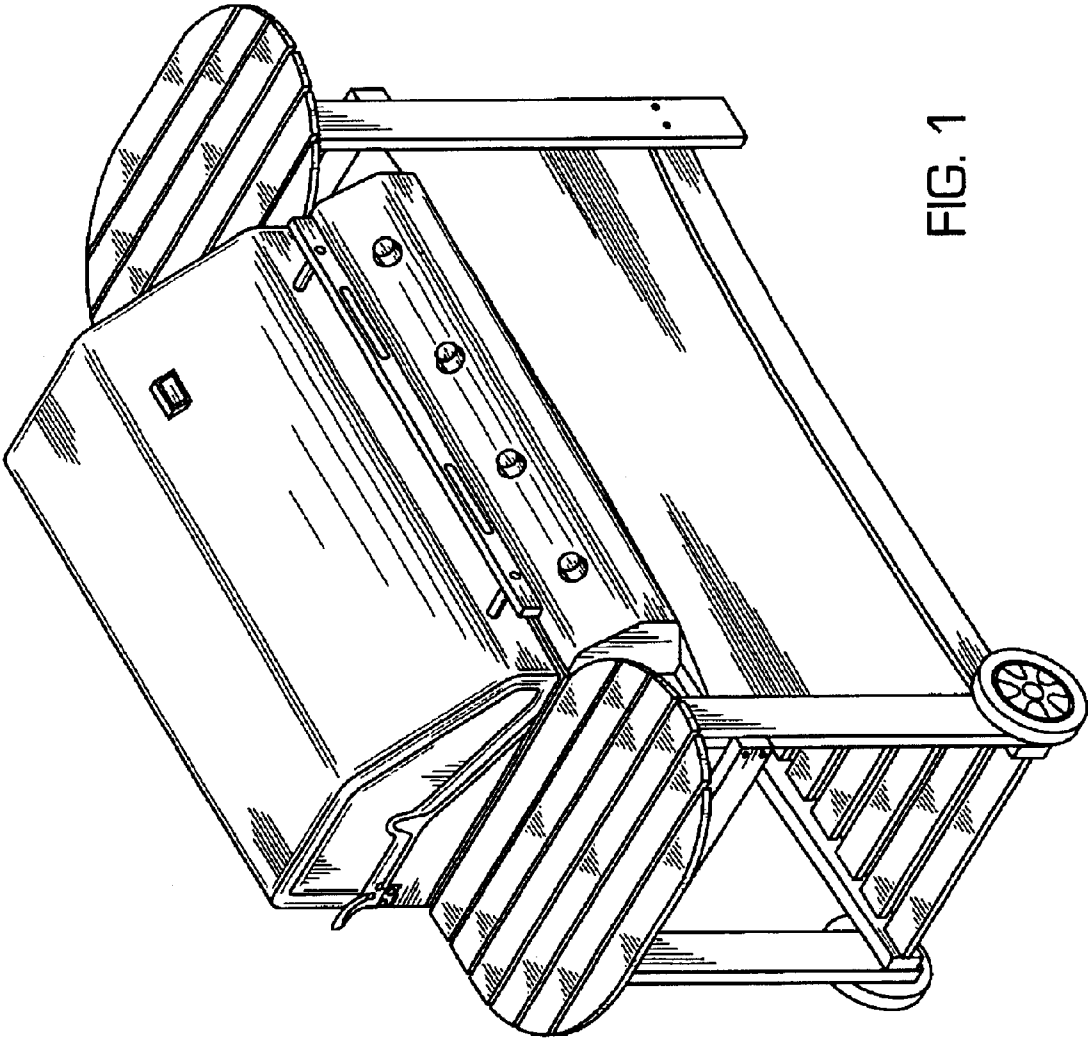


FIG. 1

FIG. 2

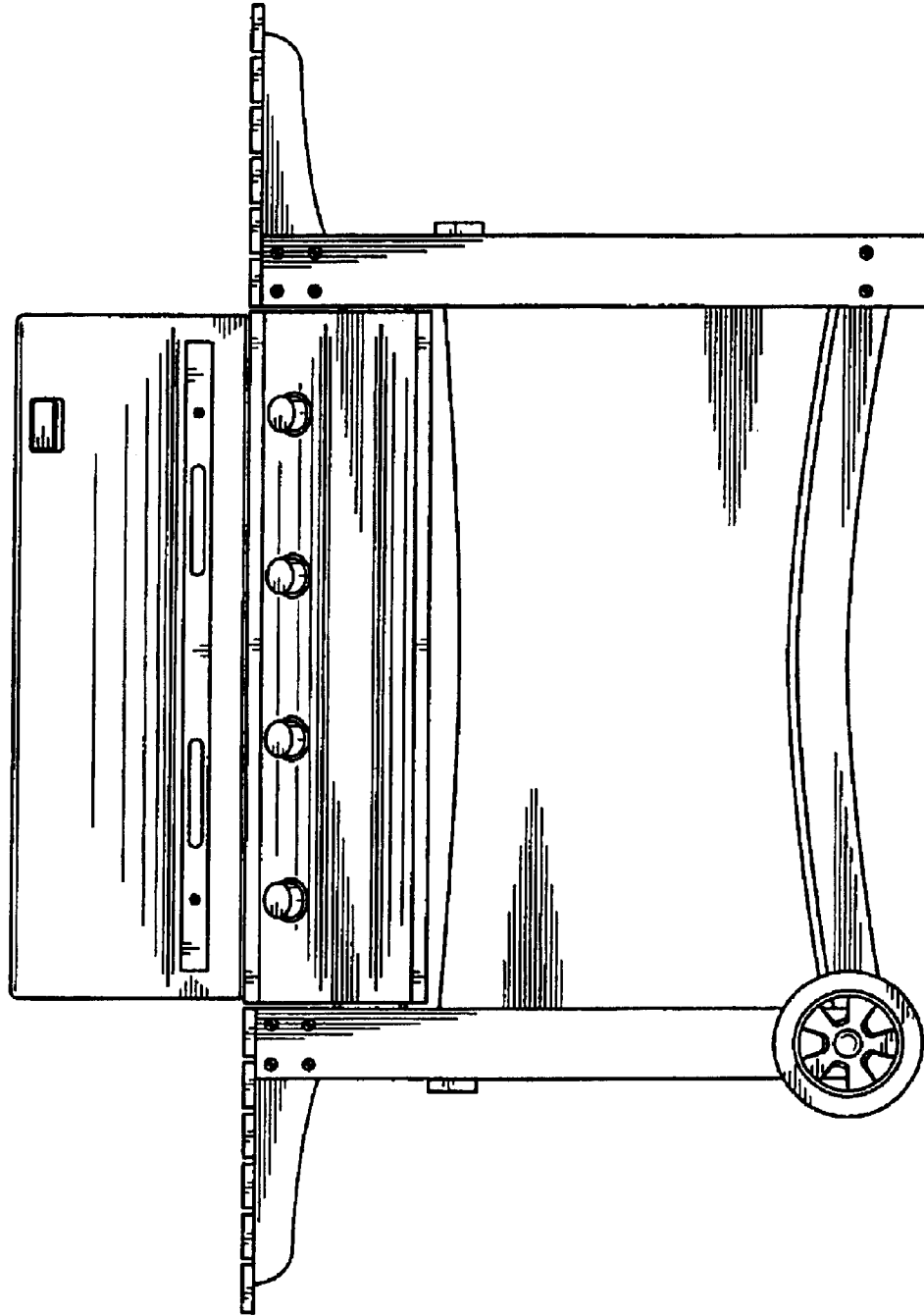


FIG. 3

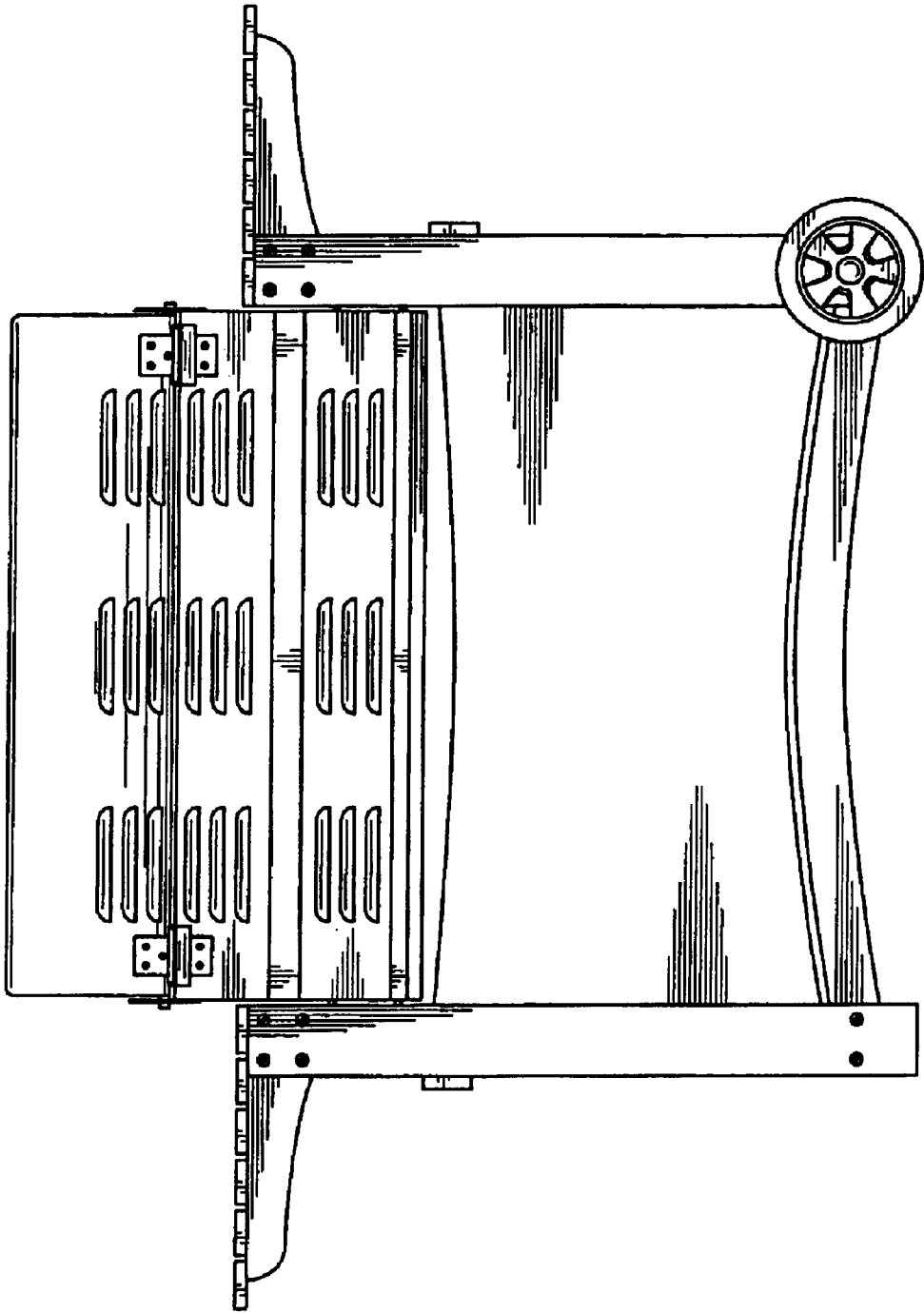


FIG. 4

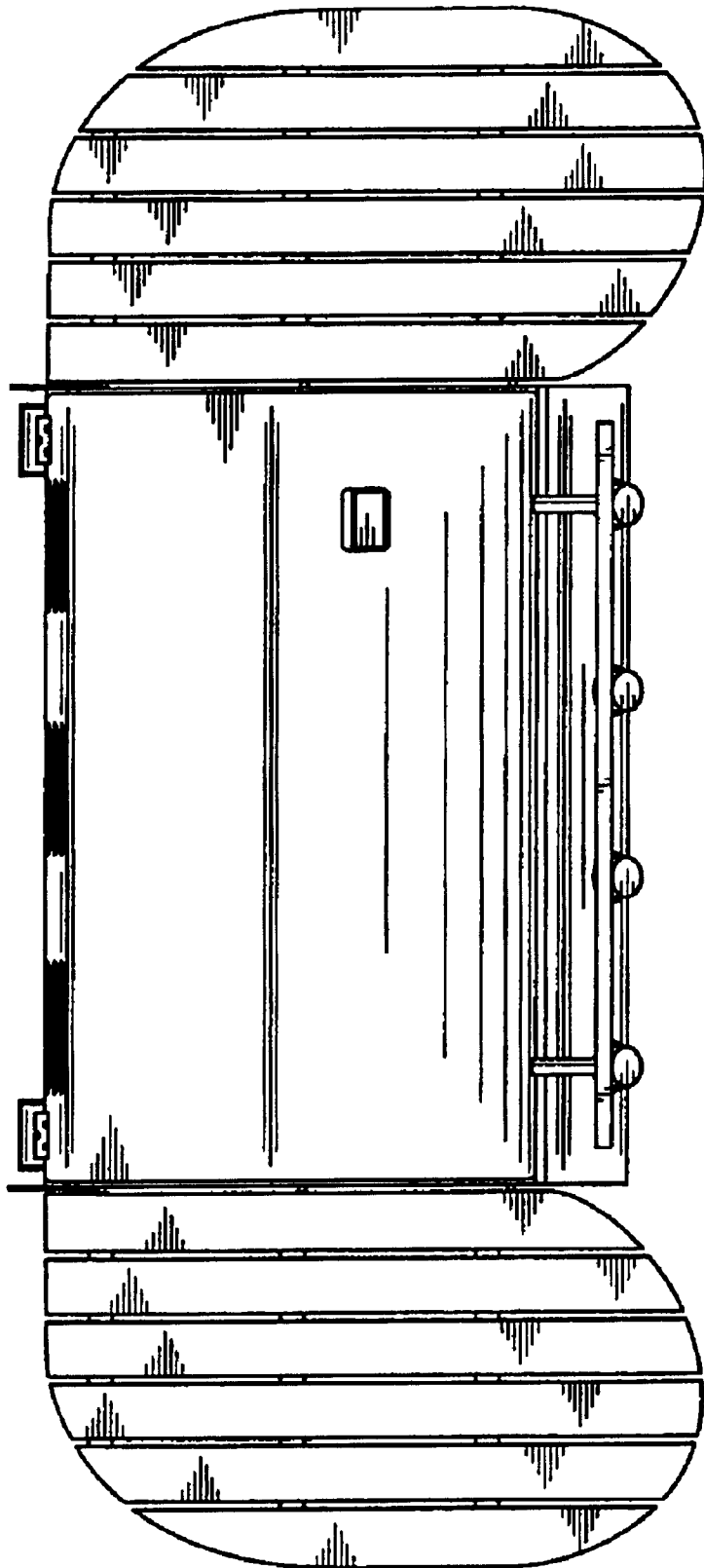


FIG. 5

