



US00D776947S

(12) **United States Design Patent**
Breeden, III et al.

(10) **Patent No.:** **US D776,947 S**
(45) **Date of Patent:** **** Jan. 24, 2017**

- (54) **MERCHANDIZING HANGER**
- (71) Applicant: **Winston Products, LLC**, Cleveland, OH (US)
- (72) Inventors: **Winston H. Breeden, III**, Chagrin Falls, OH (US); **Andrew J. Carcioppolo**, Chesterland, OH (US); **Robert C. Johnson**, Montville, OH (US)
- (73) Assignee: **Winston Products, LLC**, Cleveland, OH (US)
- (**) Term: **15 Years**
- (21) Appl. No.: **29/529,789**
- (22) Filed: **Jun. 10, 2015**
- (51) **LOC (10) Cl.** **06-08**
- (52) **U.S. Cl.**
USPC **D6/315; D6/514**
- (58) **Field of Classification Search**
USPC D6/315-328, 514; 223/85-98; 211/1, 211/13.1, 85.3, 113; 248/317, 320; D8/373
CPC A47G 25/28; A47G 25/36; A47G 25/38; A47G 25/1457; A47G 25/1442; A47F 5/0006; A47F 7/00; A47F 5/0018; A47F 5/0892; A47F 2005/0012; Y10S 206/806; Y10S 223/02
See application file for complete search history.

7,124,900	B2 *	10/2006	Hu	B65D 73/0064
					206/349
D531,489	S *	11/2006	Concari	D8/373
D536,539	S *	2/2007	Chen	D6/328
D546,080	S *	7/2007	Chen	D6/323
D624,808	S *	10/2010	Krawczak	D8/373
D636,189	S *	4/2011	Dickinson	D6/315
8,448,787	B1 *	5/2013	Chang	B25H 3/04
					206/378
8,556,075	B1 *	10/2013	Ou	B65D 73/0064
					206/372
D747,126	S *	1/2016	Letinic	D6/680.2
9,265,361	B1 *	2/2016	Streich	B65B 61/14
2004/0217249	A1 *	11/2004	Eisenbraun	A47F 5/0006
					248/323
2011/0068067	A1 *	3/2011	Foltz	A47F 5/0006
					211/59.2

* cited by examiner

Primary Examiner — Derrick Holland
Assistant Examiner — Lauren Calve
(74) *Attorney, Agent, or Firm* — Tucker Ellis LLP

(57) **CLAIM**

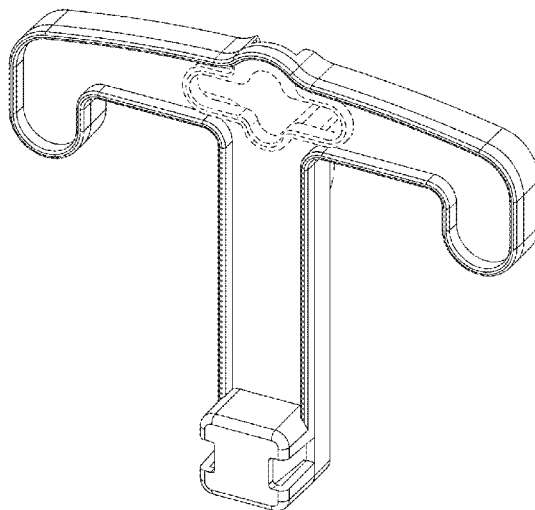
The ornamental design for a merchandizing hanger, as shown and described.

DESCRIPTION

FIG. 1 is a front perspective view of a merchandizing hanger showing our new design;
FIG. 2 is another front perspective view thereof;
FIG. 3 is a rear perspective view thereof;
FIG. 4 is another rear perspective view thereof;
FIG. 5 is front view thereof;
FIG. 6 is a rear view thereof;
FIG. 7 is a top view thereof;
FIG. 8 is a bottom view thereof;
FIG. 9 is a left side view thereof; and,
FIG. 10 is a right side view thereof.
The broken lines shown represent unclaimed subject matter and form no part of the claimed design.

1 Claim, 4 Drawing Sheets

- (56) **References Cited**
U.S. PATENT DOCUMENTS
2,626,439 A * 1/1953 Mack, Sr. D06F 55/00
24/531
5,740,911 A * 4/1998 Chou A47F 5/0861
206/1.5
D465,096 S * 11/2002 Ouyoung D6/323



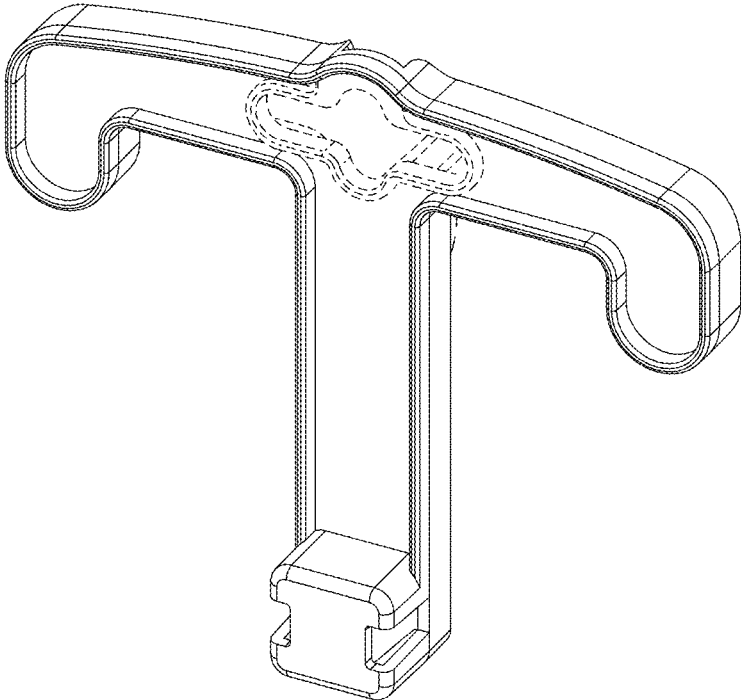


FIG. 1

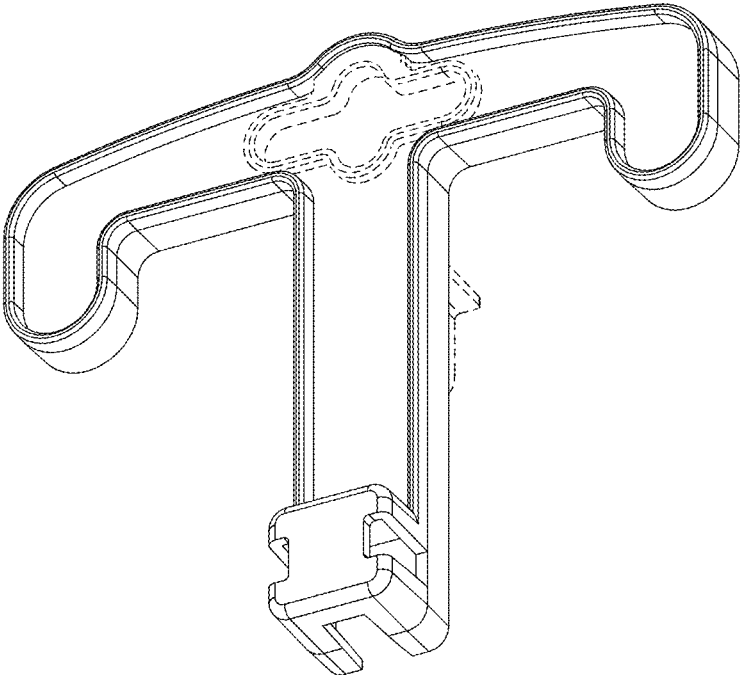


FIG. 2

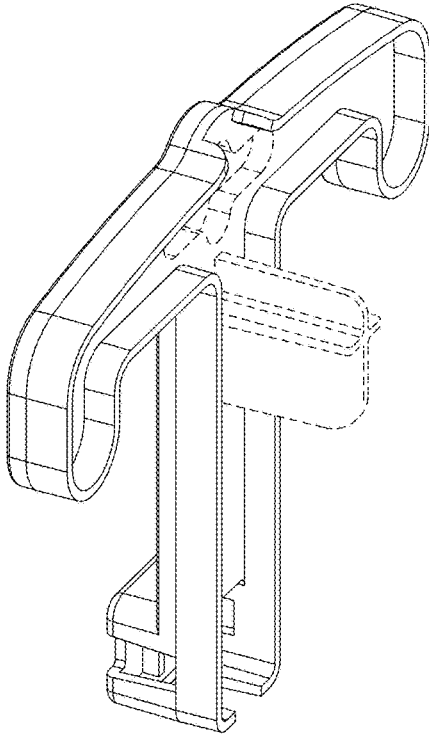


FIG. 3

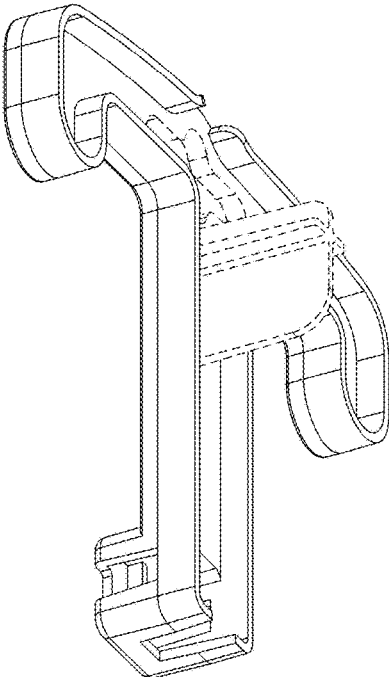


FIG. 4

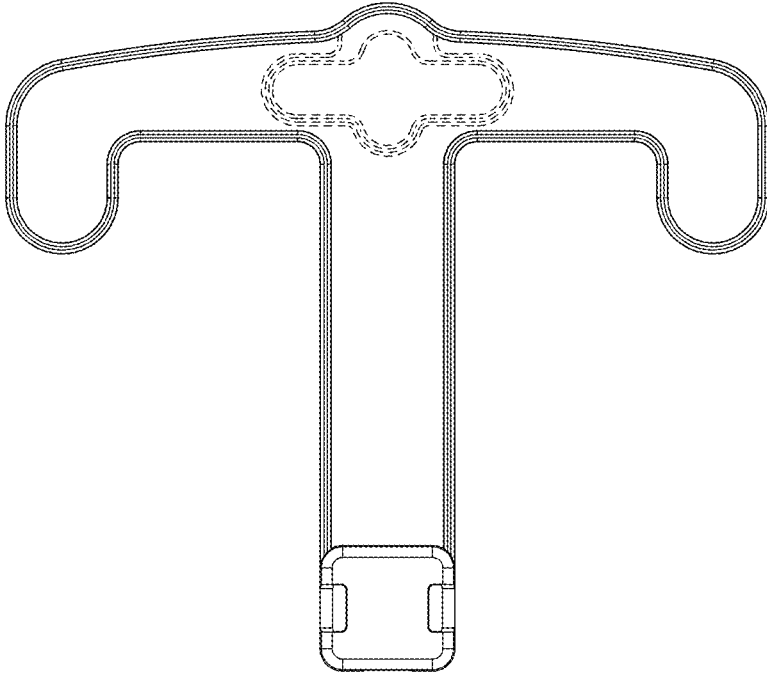


FIG. 5

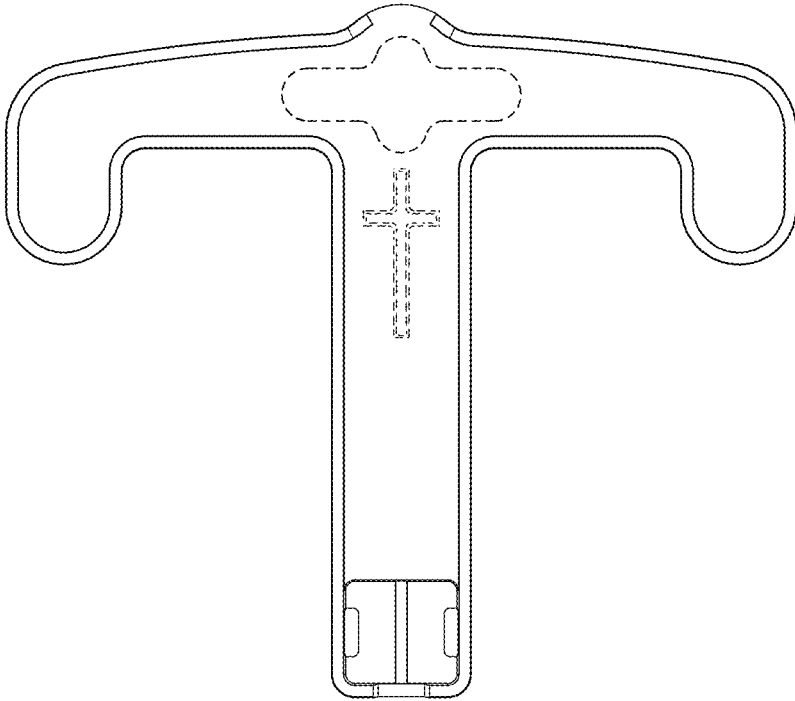


FIG. 6

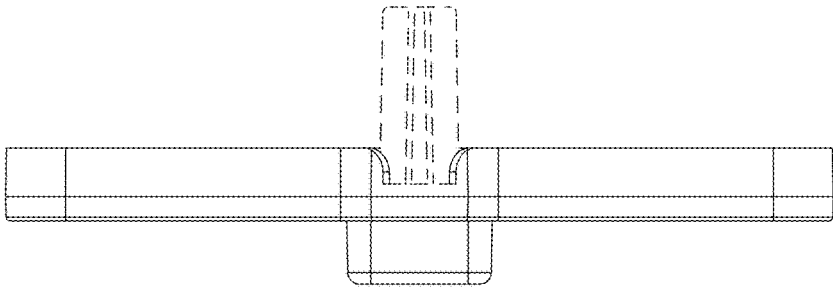


FIG. 7

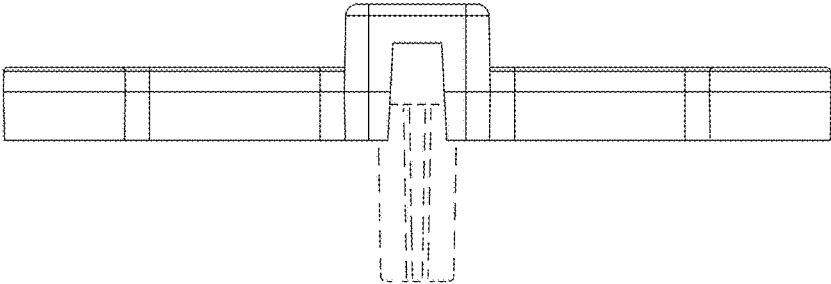


FIG. 8

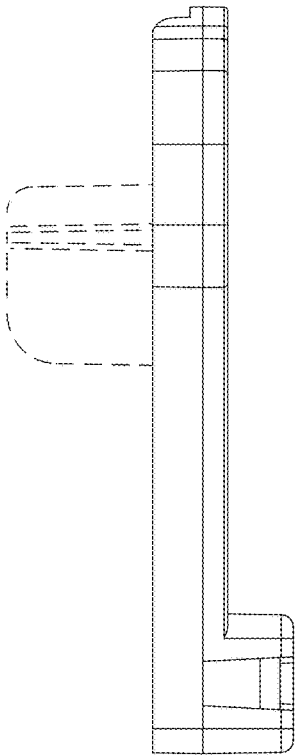


FIG. 9

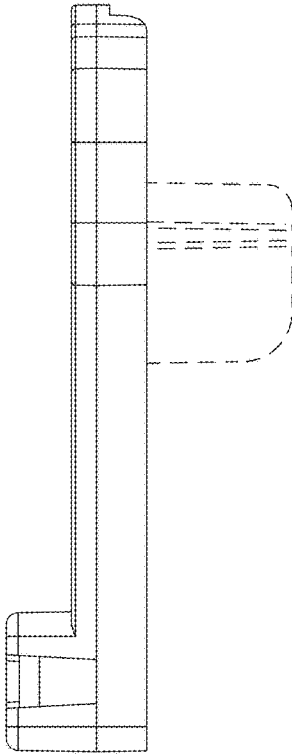


FIG. 10