

(19) World Intellectual Property Organization  
International Bureau



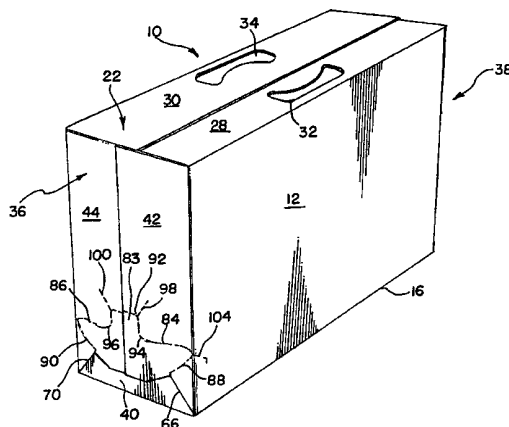
(43) International Publication Date  
7 September 2001 (07.09.2001)

PCT

(10) International Publication Number  
**WO 01/64541 A3**

- (51) International Patent Classification<sup>7</sup>: B65D 71/00, 5/72
- (21) International Application Number: PCT/US01/05425
- (22) International Filing Date: 20 February 2001 (20.02.2001)
- (25) Filing Language: English
- (26) Publication Language: English
- (30) Priority Data:  
09/515,994 29 February 2000 (29.02.2000) US
- (71) Applicant (for all designated States except US): **THE MEAD CORPORATION** [US/US]; Legal Dept., Court-house Plaza, NE, Dayton, OH 45463 (US).
- (72) Inventor; and
- (75) Inventor/Applicant (for US only): **HOLLEY, John, M., Jr.** [US/US]; 950 Brentwood Avenue, Lawrenceville, GA 30244 (US).
- (74) Agents: **SUZUKI, Tsugihiko** et al.; The Mead Corporation, 4850D North Church Lane, Smyrna, GA 30080 (US).
- (81) Designated States (national): AE, AG, AL, AM, AT, AU, AZ, BA, BB, BG, BR, BY, BZ, CA, CH, CN, CR, CU, CZ, DE, DK, DM, DZ, EE, ES, FI, GB, GD, GE, GH, GM, HR, HU, ID, IL, IN, IS, JP, KE, KG, KP, KR, KZ, LC, LK, LR, LS, LT, LU, LV, MA, MD, MG, MK, MN, MW, MX, MZ, NO, NZ, PL, PT, RO, RU, SD, SE, SG, SI, SK, SL, TJ, TM, TR, TT, TZ, UA, UG, US, UZ, VN, YU, ZA, ZW.
- (84) Designated States (regional): ARIPO patent (GH, GM, KE, LS, MW, MZ, SD, SL, SZ, TZ, UG, ZW), Eurasian patent (AM, AZ, BY, KG, KZ, MD, RU, TJ, TM), European patent (AT, BE, CH, CY, DE, DK, ES, FI, FR, GB, GR, IE, IT, LU, MC, NL, PT, SE, TR), OAPI patent (BF, BJ, CF, CG, CI, CM, GA, GN, GW, ML, MR, NE, SN, TD, TG).
- Published:**  
— with international search report
- (88) Date of publication of the international search report:  
7 March 2002
- For two-letter codes and other abbreviations, refer to the "Guidance Notes on Codes and Abbreviations" appearing at the beginning of each regular issue of the PCT Gazette.*

(54) Title: CARTON WITH ARTICLE DISPENSING FEATURE



(57) Abstract: A carton has top and bottom walls (22, 16) that are interconnected by a pair of opposed side walls (12, 14) to form a tubular structure. An end closure structure (36, 38) is provided at each end of the tubular structure to at least partially close that end. One or each of the end closure structures (36, 38) includes a bottom end flap (40), a pair of side end flaps (42, 44) and a pair of web panels (50, 52). The bottom end flap (40) is foldably joined to the bottom wall (16) and extends upwardly. The side end flaps (42, 44) are foldably joined respectively to the side walls (12, 14) and extend to each other to traverse the respective end of the tubular structure and to cover at least part of the bottom end flap (40). Each web panel (50, 52) foldably interconnects the bottom end flap (40) and the respective side end flap (42, 44) and is disposed in a face-contacting relationship with the inside surface of the respective side end flap (42, 44). A pair of first tear lines (88, 90) are formed respectively in the side end flaps (42, 44). Each first tear line (88, 90) extends between the adjacent side wall (12, 14) and the adjacent web panel (50, 52). A pair of second tear lines (84, 86) are also formed respectively in the side end flaps (42, 44). The second tear lines (84, 86) emanate respectively from the first tear lines (88, 90) and extend to each other to form a single continuous line disposed above the first tear lines (88, 90).



WO 01/64541 A3

# INTERNATIONAL SEARCH REPORT

International Application No

PCT/US 01/05425

**A. CLASSIFICATION OF SUBJECT MATTER**  
 IPC 7 B65D71/00 B65D5/72

According to International Patent Classification (IPC) or to both national classification and IPC

**B. FIELDS SEARCHED**

Minimum documentation searched (classification system followed by classification symbols)

IPC 7 B65D

Documentation searched other than minimum documentation to the extent that such documents are included in the fields searched

Electronic data base consulted during the international search (name of data base and, where practical, search terms used)

EPO-Internal

**C. DOCUMENTS CONSIDERED TO BE RELEVANT**

Category °	Citation of document, with indication, where appropriate, of the relevant passages	Relevant to claim No.
P,X	US 6 176 419 B1 (HOLLEY JR JOHN M) 23 January 2001 (2001-01-23) column 1-6; figures 1-6 ----	1-17
A	US 4 364 509 A (HOLLEY JR JOHN M ET AL) 21 December 1982 (1982-12-21) cited in the application column 3, line 7-12; figures 1-5 ----	1,11
A	US 4 396 143 A (KILLY EARL J) 2 August 1983 (1983-08-02) column 1-4; figures 1-3 ----	1,11
A	US 3 894 681 A (ARNESON) 15 July 1975 (1975-07-15) cited in the application column 1-4; figures 1-5 -----	1,11

Further documents are listed in the continuation of box C.

Patent family members are listed in annex.

° Special categories of cited documents :

- \*A\* document defining the general state of the art which is not considered to be of particular relevance
- \*E\* earlier document but published on or after the international filing date
- \*L\* document which may throw doubts on priority claim(s) or which is cited to establish the publication date of another citation or other special reason (as specified)
- \*O\* document referring to an oral disclosure, use, exhibition or other means
- \*P\* document published prior to the international filing date but later than the priority date claimed

- \*T\* later document published after the international filing date or priority date and not in conflict with the application but cited to understand the principle or theory underlying the invention
- \*X\* document of particular relevance; the claimed invention cannot be considered novel or cannot be considered to involve an inventive step when the document is taken alone
- \*Y\* document of particular relevance; the claimed invention cannot be considered to involve an inventive step when the document is combined with one or more other such documents, such combination being obvious to a person skilled in the art.
- \*&\* document member of the same patent family

Date of the actual completion of the international search

26 September 2001

Date of mailing of the international search report

05/10/2001

Name and mailing address of the ISA

European Patent Office, P.B. 5818 Patentlaan 2  
 NL - 2280 HV Rijswijk  
 Tel. (+31-70) 340-2040, Tx. 31 651 epo nl,  
 Fax: (+31-70) 340-3016

Authorized officer

Vollering, J

# INTERNATIONAL SEARCH REPORT

Information on patent family members

International Application No PCT/US 01/05425
---

Patent document cited in search report	Publication date	Publication date	Patent family member(s)	Publication date
US 6176419	B1	23-01-2001	NONE	
<hr style="border-top: 1px dashed black;"/>				
US 4364509	A	21-12-1982	CA 1182792 A1	19-02-1985
			DE 3269605 D1	10-04-1986
			EP 0069508 A1	12-01-1983
			ES 266088 Y	16-11-1983
			JP 1645413 C	28-02-1992
			JP 3002743 B	16-01-1991
			JP 58052036 A	28-03-1983
			MY 2088 A	31-12-1988
			ZA 8204429 A	27-04-1983
<hr style="border-top: 1px dashed black;"/>				
US 4396143	A	02-08-1983	NONE	
<hr style="border-top: 1px dashed black;"/>				
US 3894681	A	15-07-1975	AU 6710574 A	25-09-1975
			BE 812767 A1	15-07-1974
			CA 1006852 A1	15-03-1977
			DE 2414291 A1	10-10-1974
			DE 7410368 U1	08-01-1976
			FR 2223258 A1	25-10-1974
			GB 1469439 A	06-04-1977
			NL 7404060 A ,B,	30-09-1974
			ZA 7401811 A	26-02-1975
<hr style="border-top: 1px dashed black;"/>				