



US00D816383S

(12) **United States Design Patent**  
**Liang**

(10) **Patent No.:** **US D816,383 S**

(45) **Date of Patent:** **\*\* May 1, 2018**

- (54) **DRIP COFFEE MAKER**
- (71) Applicant: **Jiangmen Lilong Industries Ltd.**,  
Jiangmen, Guangdong (CN)
- (72) Inventor: **Yongkang Liang**, Jiangmen (CN)
- (73) Assignee: **Jiangmen Lilong Industries Ltd.**,  
Jiangmen, Guangdong (CN)
- (\*\*) Term: **15 Years**
- (21) Appl. No.: **29/568,370**
- (22) Filed: **Jun. 17, 2016**
- (51) **LOC (11) Cl.** ..... **07-01**
- (52) **U.S. Cl.**  
USPC ..... **D7/310; D7/311; D7/309**
- (58) **Field of Classification Search**  
USPC ..... **D7/305-311, 313, 397; D15/82;**  
**222/129.1, 146.6; 99/295**  
CPC ..... **A47J 31/44; A47J 31/4403; A47J 31/46;**  
**A47J 31/4482; A47J 31/369; A47J**  
**31/407; A47J 31/02; A47J 31/047; B67D**  
**1/36; B67D 2210/0065; B67D 1/0864**  
See application file for complete search history.

D310,931	S	*	10/1990	Mollenhoff	.....	D7/309
D314,881	S	*	2/1991	Wongergem	.....	D7/309
D489,214	S	*	5/2004	Noda	.....	D7/309
D496,213	S	*	9/2004	Midden	.....	D7/309
D502,043	S	*	2/2005	Lin	.....	D7/309
D507,449	S	*	7/2005	Burton	.....	D7/309
D552,402	S	*	10/2007	Schwamkrug	.....	D7/309
D610,857	S	*	3/2010	Pateman	.....	D7/306
D712,188	S	*	9/2014	Averty	.....	D7/309
D718,972	S	*	12/2014	Jorgensen	.....	D7/309
D760,530	S	*	7/2016	Bartoli	.....	D7/309
D761,051	S	*	7/2016	Bartoli	.....	D7/309
D762,412	S	*	8/2016	Kestenbaum	.....	D7/392
D773,878	S	*	12/2016	Lee	.....	D7/309
D785,394	S	*	5/2017	Palermo	.....	D7/306
D788,509	S	*	6/2017	Wei	.....	D7/305
D800,487	S	*	10/2017	Chawla	.....	D7/306

\* cited by examiner

*Primary Examiner* — Marianne Pandozzi  
(74) *Attorney, Agent, or Firm* — Loginov & Associates;  
William A. Loginov

(57) **CLAIM**

The ornamental design for a drip coffee maker, substantially as shown.

**DESCRIPTION**

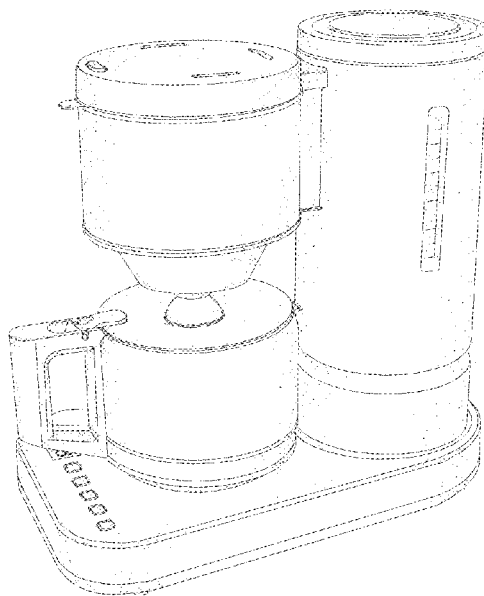
FIG. 1 is a perspective view of the drip coffee maker;  
FIG. 2 is a right view thereof;  
FIG. 3 is a left view thereof;  
FIG. 4 is a front view thereof;  
FIG. 5 is a rear view thereof;  
FIG. 6 is a top view thereof; and,  
FIG. 7 is a bottom view thereof.

**1 Claim, 7 Drawing Sheets**

(56) **References Cited**

**U.S. PATENT DOCUMENTS**

D220,579	S	*	4/1971	Wickensburg	.....	D7/309
3,592,125	A	*	7/1971	Tolmie	.....	A47J 31/0573
						392/467
D240,386	S	*	7/1976	Stutzen	.....	D7/309
4,721,034	A	*	1/1988	Shimomura	.....	A47J 31/047
						99/280
4,920,868	A	*	5/1990	Gehrmann	.....	A47J 31/0573
						285/347



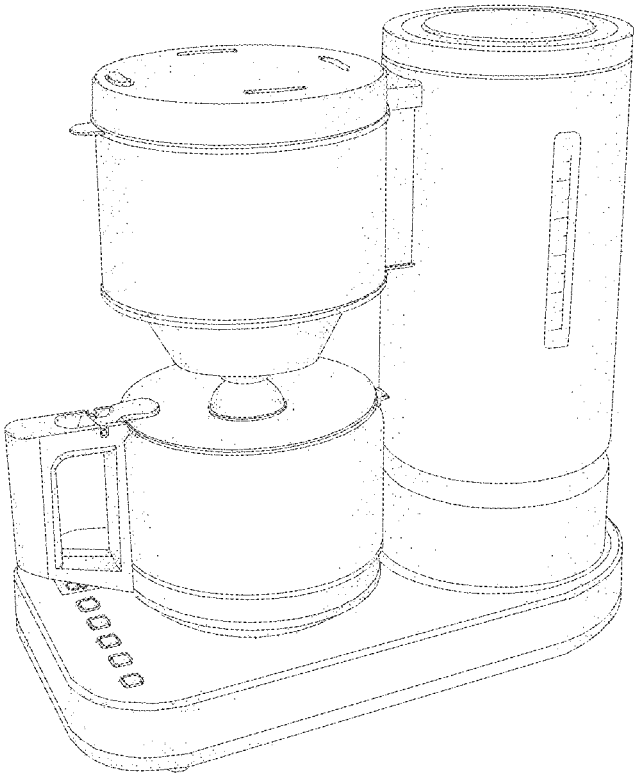


Fig. 1

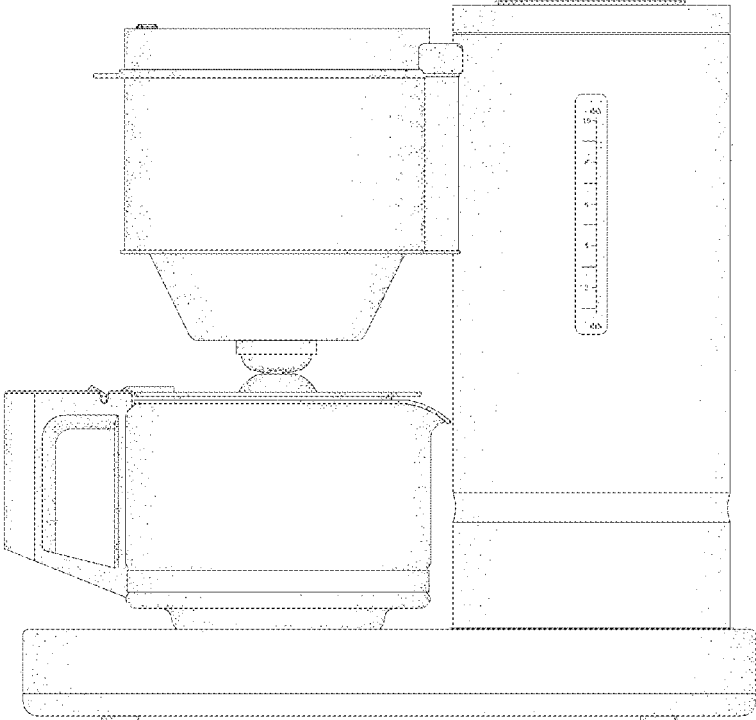


Fig.2

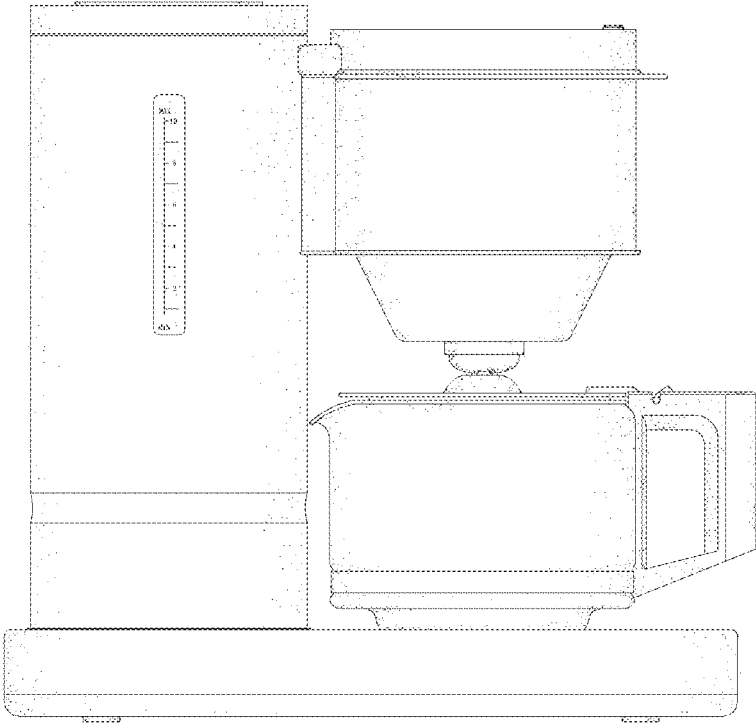


Fig.3

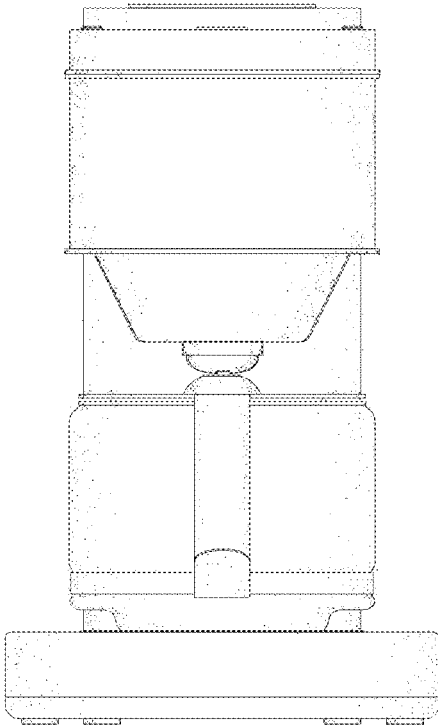


Fig.4

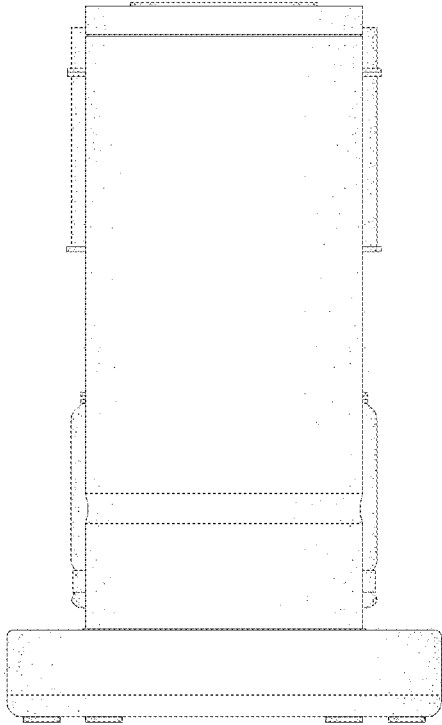


Fig.5

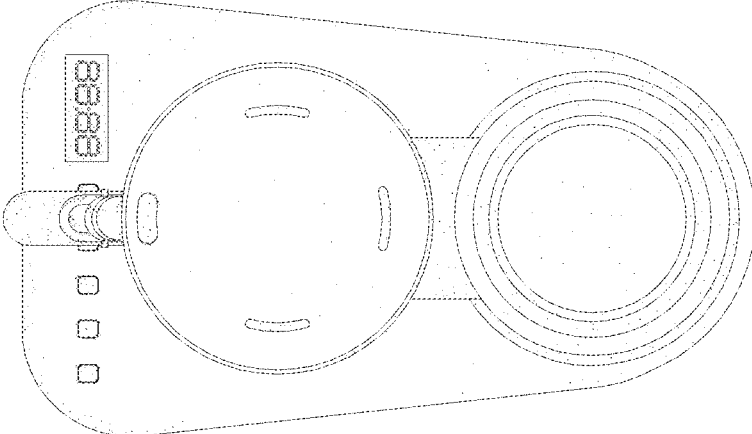


Fig.6

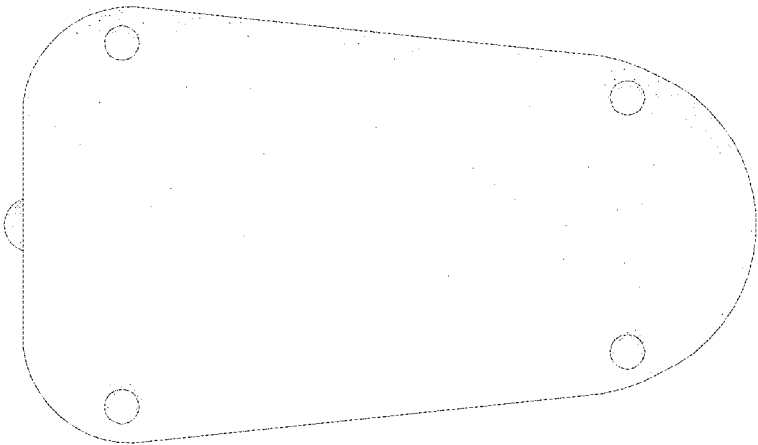


Fig.7