



US00D715701S

(12) **United States Design Patent**
Chen

(10) **Patent No.:** **US D715,701 S**

(45) **Date of Patent:** **** Oct. 21, 2014**

(54) **STROLLER FRAME**

(71) Applicant: **Way-Hong Chen**, Taipei (TW)

(72) Inventor: **Way-Hong Chen**, Taipei (TW)

(**) Term: **14 Years**

(21) Appl. No.: **29/469,913**

(22) Filed: **Oct. 16, 2013**

(51) **LOC (10) Cl.** **12-12**

(52) **U.S. Cl.**
USPC **D12/129**

(58) **Field of Classification Search**
USPC D12/128-133; 280/62, 647-650, 29,
280/200, 47.38, 250.1, 259, 642, 658,
280/304.1; 128/99.1, 100.1

See application file for complete search history.

7,364,171 B2 * 4/2008 Hu 280/47.38
D571,263 S * 6/2008 Lai D12/129
D578,045 S * 10/2008 Liao D12/129
D578,936 S * 10/2008 Chen D12/129
D621,306 S * 8/2010 Liao D12/129
D654,406 S * 2/2012 Henry D12/129
D661,624 S * 6/2012 Stopp D12/129

* cited by examiner

Primary Examiner — Ian Simmons
Assistant Examiner — Charles Hanson
(74) *Attorney, Agent, or Firm* — Alan Kamrath; Kamrath IP
Lawfirm, P.A.

(57) **CLAIM**
The ornamental design for a stroller frame, as shown and
described.

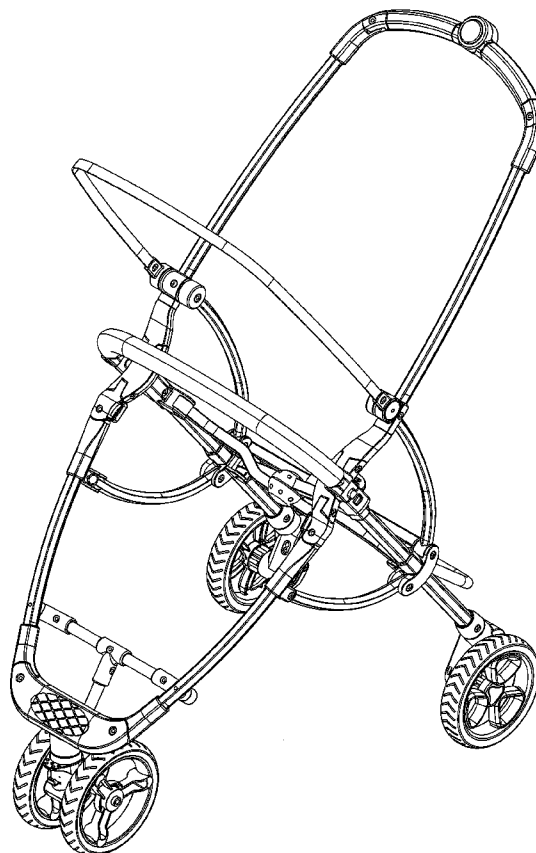
DESCRIPTION

FIG. 1 is a perspective view of a stroller frame showing my
design;
FIG. 2 is a front elevational view thereof;
FIG. 3 is a rear elevational view thereof;
FIG. 4 is a left side elevational view thereof;
FIG. 5 is a right side elevational view thereof;
FIG. 6 is a top plan view thereof; and,
FIG. 7 is a bottom plan view thereof.

1 Claim, 7 Drawing Sheets

(56) **References Cited**
U.S. PATENT DOCUMENTS

D451,434	S	*	12/2001	Hsia	D12/129
D486,430	S	*	2/2004	Chang	D12/129
D519,421	S	*	4/2006	Huang	D12/129
D519,422	S	*	4/2006	Huang	D12/129
7,267,359	B1	*	9/2007	Yang et al.	280/642
D566,013	S	*	4/2008	Wang	D12/129



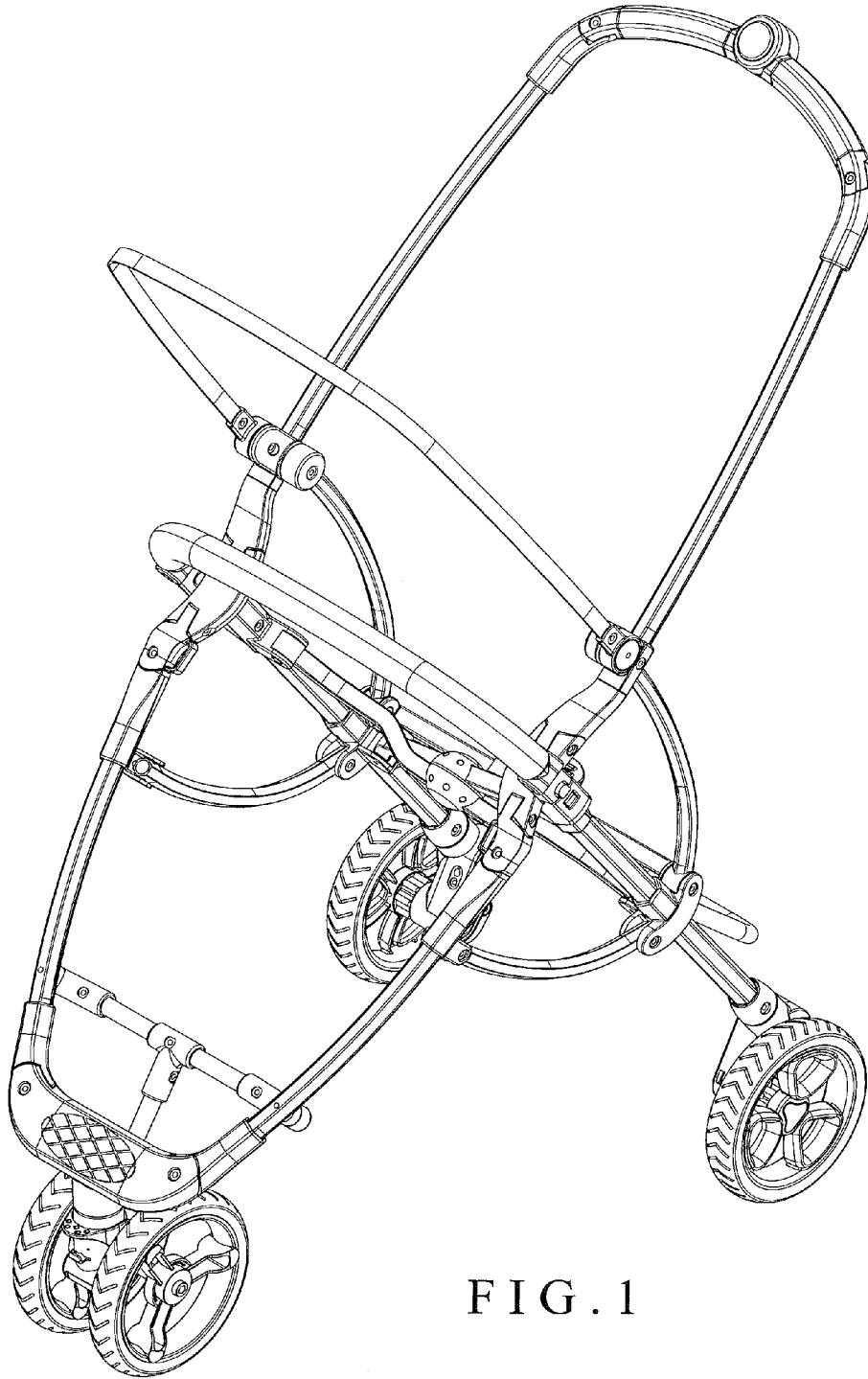


FIG. 1

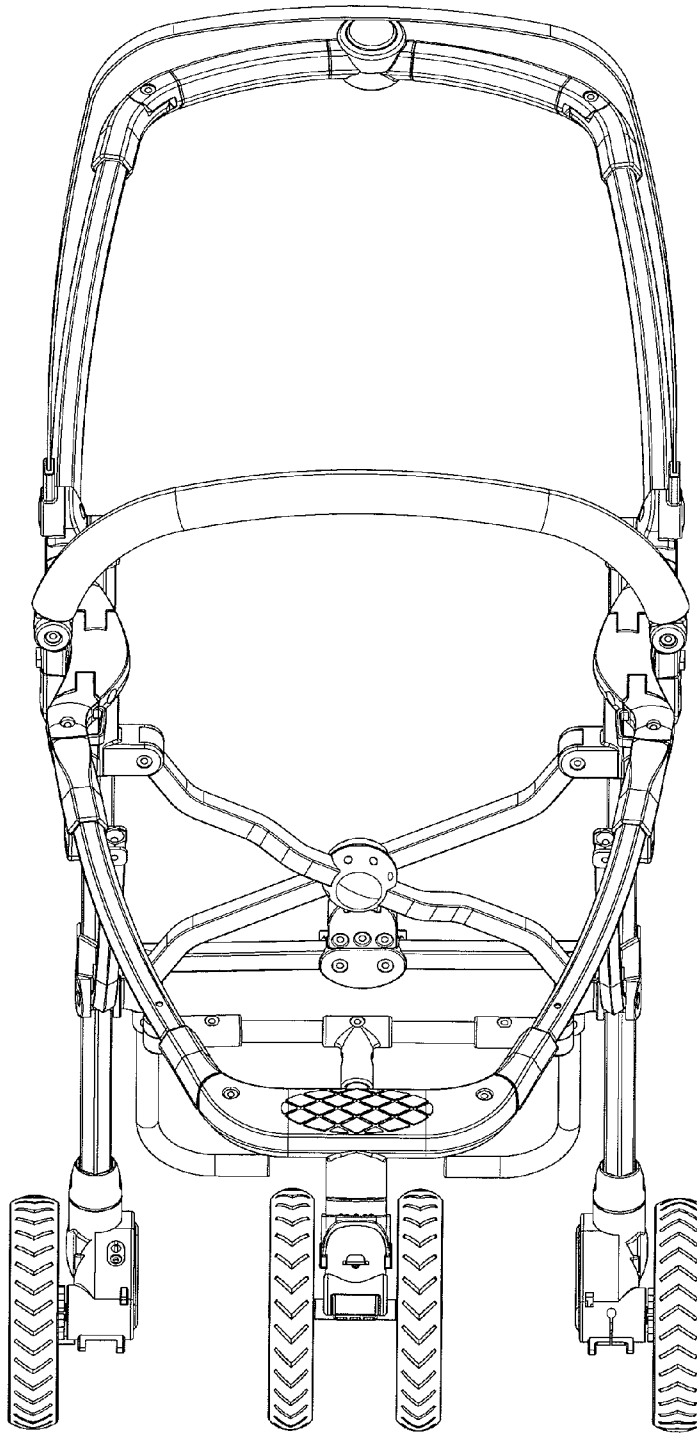


FIG. 2

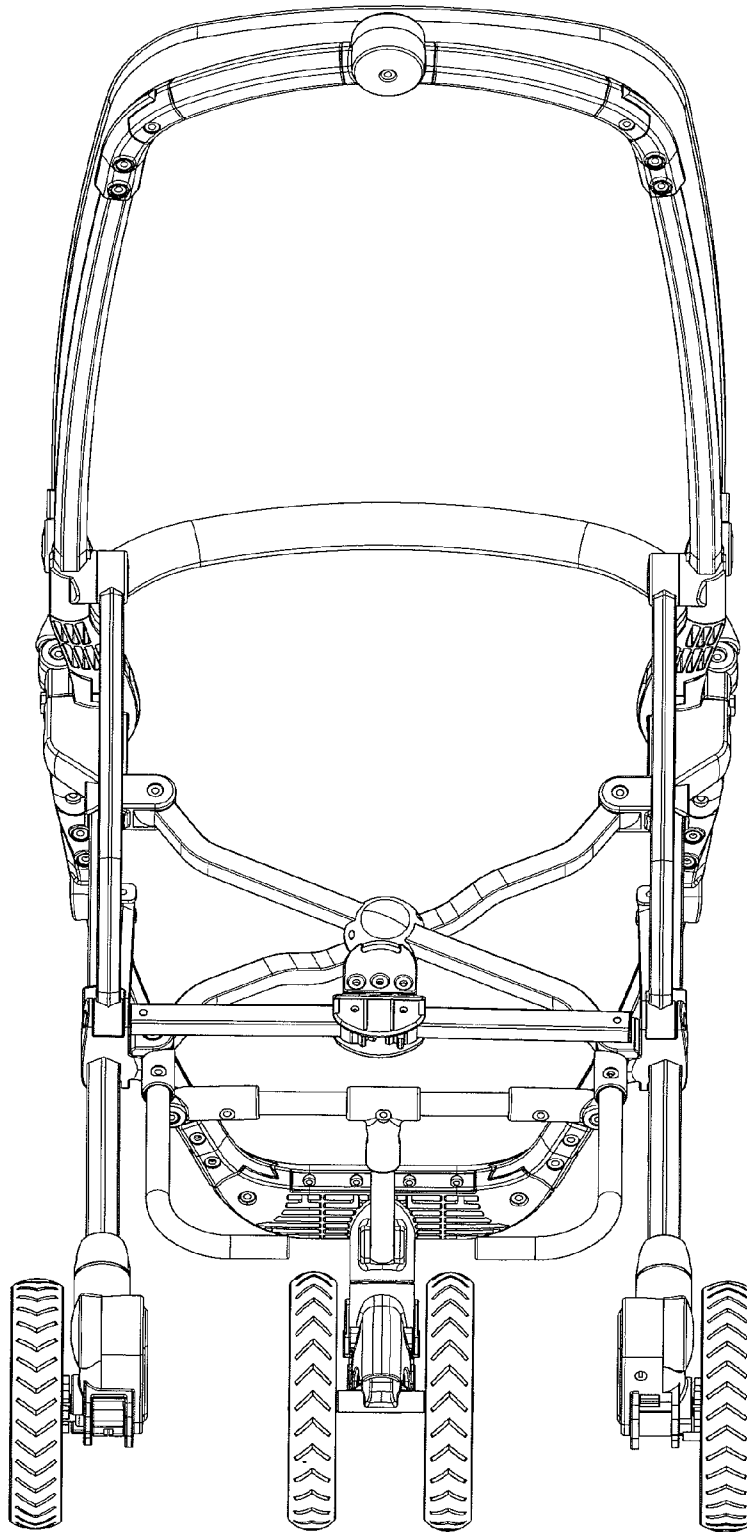


FIG. 3

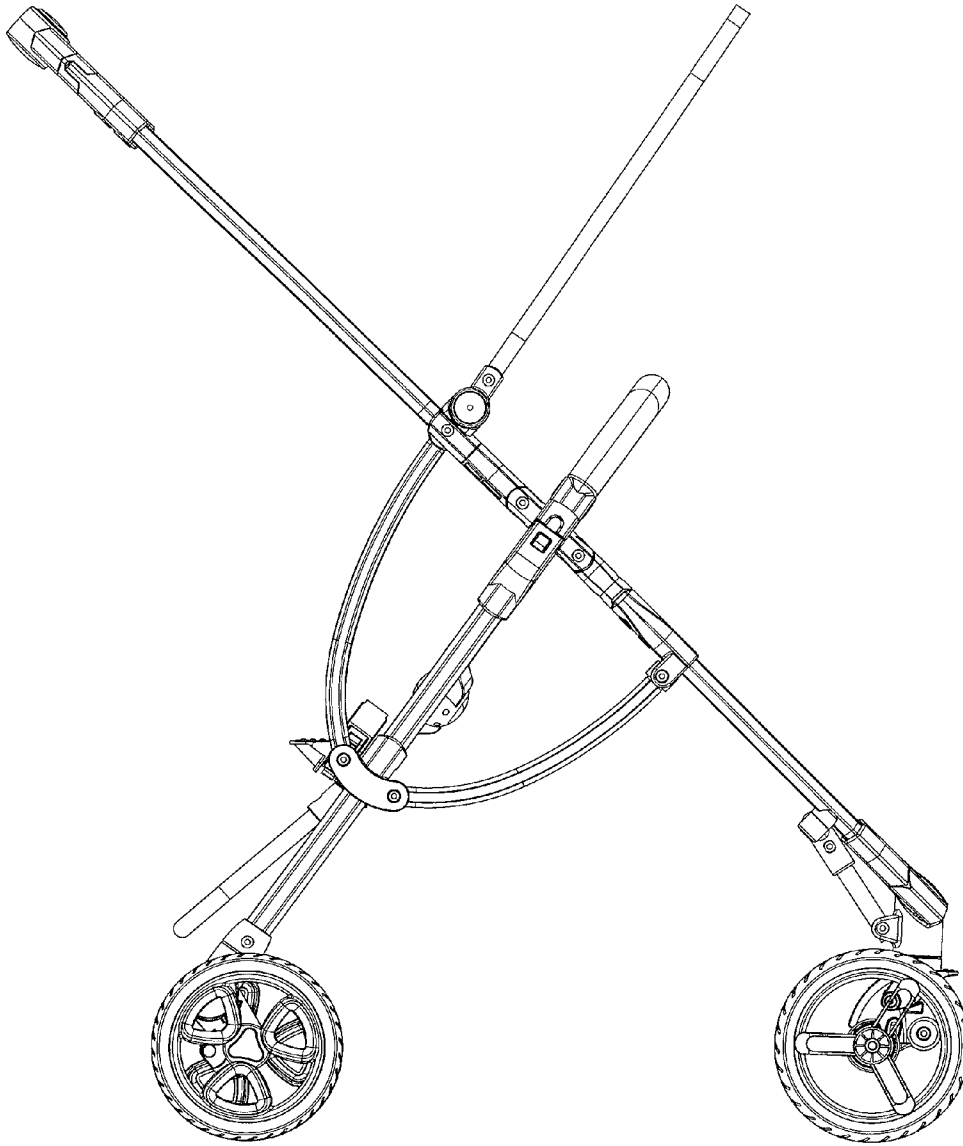


FIG. 4

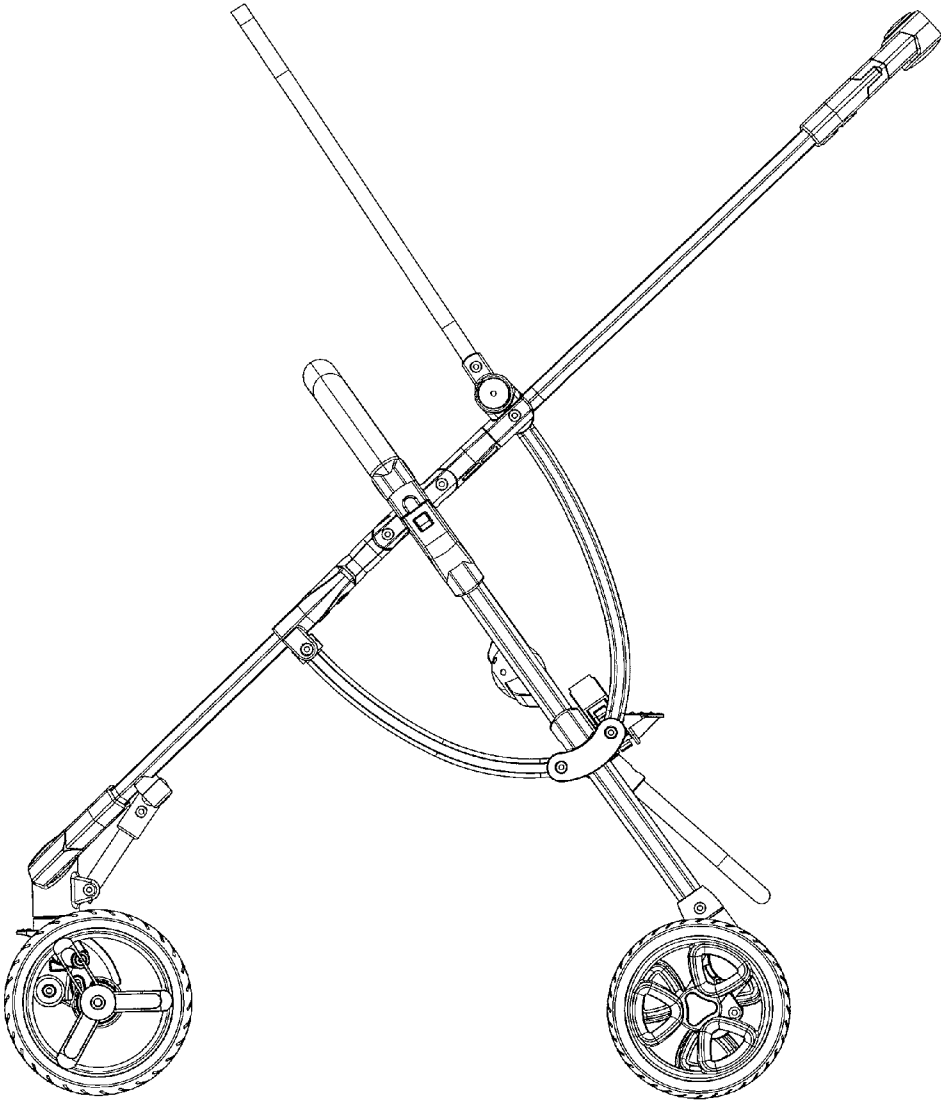


FIG. 5

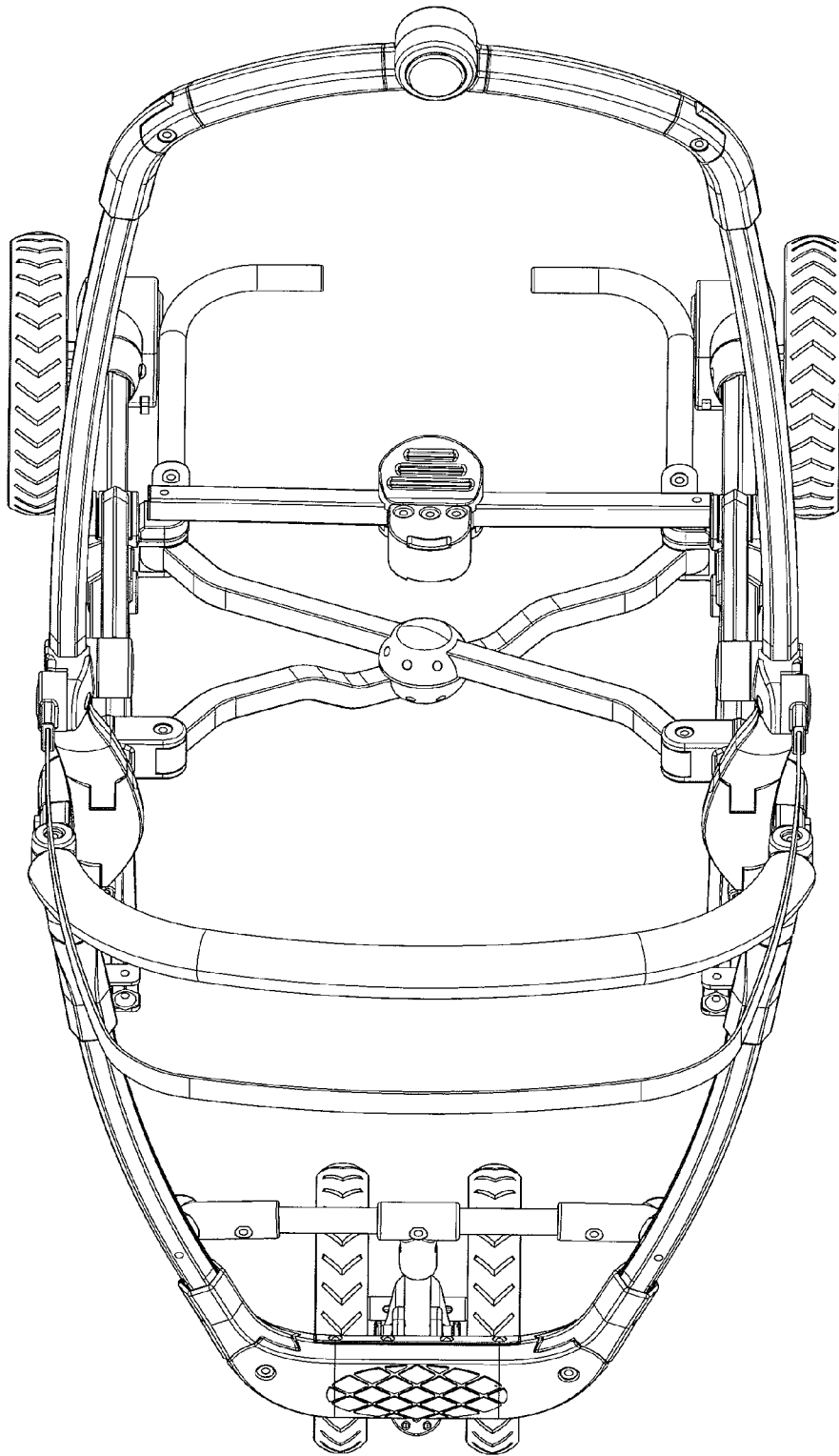


FIG. 6

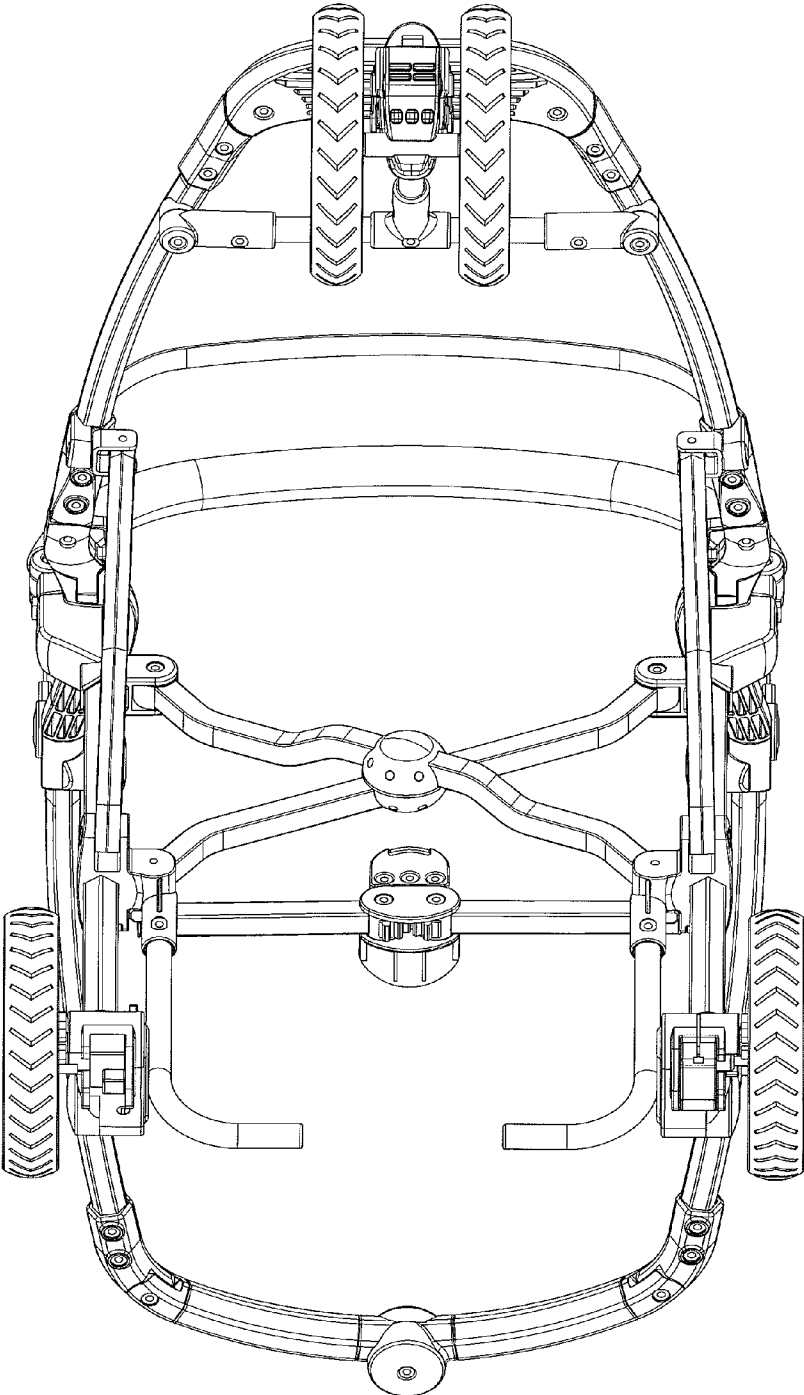


FIG. 7