

(19) World Intellectual Property Organization
International Bureau



(43) International Publication Date
24 July 2003 (24.07.2003)

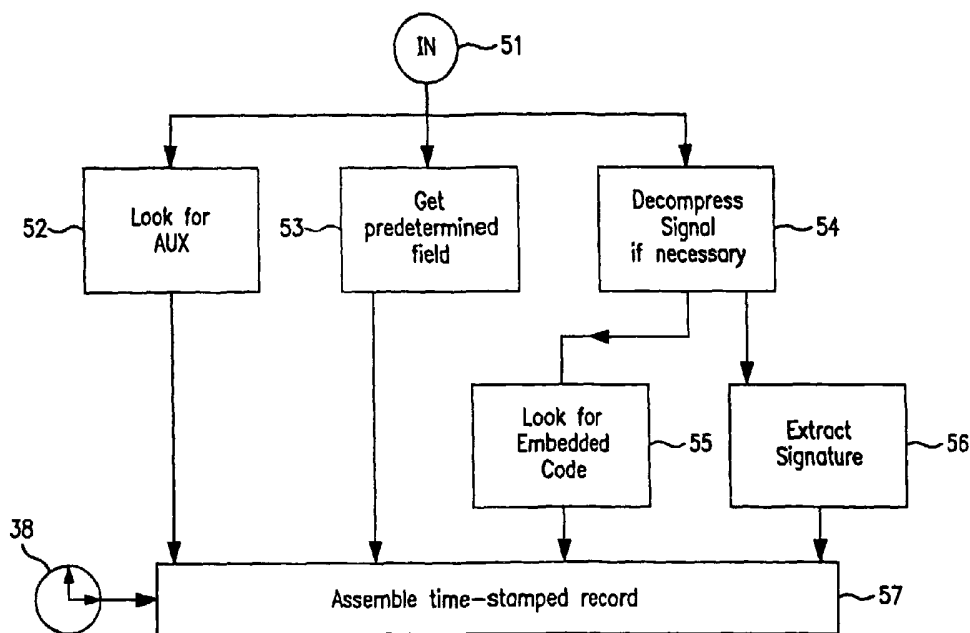
PCT

(10) International Publication Number
WO 03/060630 A3

- (51) International Patent Classification⁷: H04N 7/16
- (21) International Application Number: PCT/US02/32043
- (22) International Filing Date: 9 October 2002 (09.10.2002)
- (25) Filing Language: English
- (26) Publication Language: English
- (30) Priority Data:
09/973,893 8 January 2002 (08.01.2002) US
- (71) Applicant (for all designated States except US):
NIELSEN MEDIA RESEARC, INC. [US/US]; 150
N. Martingale Road, Schaumberg, IL, 60173-2076 (US).
- (72) Inventors; and
- (75) Inventors/Applicants (for US only): PIEFFER, John,
C. [US/US]; 5638 Antelope Lane, New Port Richey, FL
34653 (US). HICKS, Micheal, A. [US/US]; 291 Sweet-
gum Court, Palm Harbour, FL 34683 (US). WRIGHT,
David, Howell [US/US]; 221 North Mars Avenue, Clear-
water, FL 34683 (US). MEARS, Paul, Mark [US/US];
106 Hounds Run, Safety Harbour, FL 34695 (US). SRINI-
VASAN, Venugopal [US/US]; 2845 Jarvis Circle, Palm
Harbor, FL 34683 (US). LU, Daozheng [US/US]; 1903
Dunloe Circle, Dunedin, FL 34698 (US). KEMPTER,
Paul, C. [/]; 146 Lakeshore Drive North, Palm Harbour,
FL 34684 (US).
- (74) Agents: FLIGHT, James, A. et al.; Grossman & Flight,
LLC., Suite 4220, 20 North Wacker Drive, Chicago, IL
60606 (US).
- (81) Designated States (national): AE, AG, AL, AM, AT, AU,
AZ, BA, BB, BG, BR, BY, BZ, CA, CH, CN, CO, CR, CU,
CZ, DE, DK, DM, DZ, EE, ES, FI, GB, GD, GE, GH, GM,
HR, HU, ID, IL, IN, IS, JP, KE, KG, KP, KR, KZ, LC, LK,
LR, LS, LT, LU, LV, MA, MD, MG, MK, MN, MW, MX,
MZ, NO, NZ, PL, PT, RO, RU, SD, SE, SG, SI, SK, SL,
TJ, TM, TR, TT, TZ, UA, UG, US, UZ, VN, YU, ZA, ZW.
- (84) Designated States (regional): ARIPO patent (GH, GM,
KE, LS, MW, MZ, SD, SL, SZ, TZ, UG, ZM, ZW),
Eurasian patent (AM, AZ, BY, KG, KZ, MD, RU, TJ, TM),
European patent (AT, BE, BG, CH, CY, CZ, DE, DK, EE,
ES, FI, FR, GB, GR, IE, IT, LU, MC, NL, PT, SE, SK,
TR), OAPI patent (BF, BJ, CF, CG, CI, CM, GA, GN, GQ,
GW, ML, MR, NE, SN, TD, TG).

[Continued on next page]

(54) Title: METHOD AND APPARATUS FOR IDENTIFYING A DIGITAL AUDIO SIGNAL



(57) Abstract: An audience measurement/Nielsen TV ratings system that identifies digital broadcast signals with a processing structure configured to identify each of a program-identifying code (55) and a feature signature (56) in each of the received digital audio signal (51) and in a decompressed received digital audio signal (54).



WO 03/060630 A3



Published:

— *with international search report*

(88) Date of publication of the international search report:

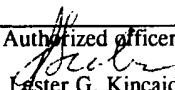
20 November 2003

For two-letter codes and other abbreviations, refer to the "Guidance Notes on Codes and Abbreviations" appearing at the beginning of each regular issue of the PCT Gazette.

INTERNATIONAL SEARCH REPORT

International application No.

PCT/US02/32043

A. CLASSIFICATION OF SUBJECT MATTER				
IPC(7) : H04N 7/16 US CL : 455/2.01; 725/18				
According to International Patent Classification (IPC) or to both national classification and IPC				
B. FIELDS SEARCHED				
Minimum documentation searched (classification system followed by classification symbols) U.S. : 455/2.01, 45; 725/18, 20, 9				
Documentation searched other than minimum documentation to the extent that such documents are included in the fields searched NONE				
Electronic data base consulted during the international search (name of data base and, where practicable, search terms used) USPAT, US-PGPUB				
C. DOCUMENTS CONSIDERED TO BE RELEVANT				
Category *	Citation of document, with indication, where appropriate, of the relevant passages	Relevant to claim No.		
A	US 5,481,294 A (THOMAS et al.) 02 January 1996 (02.01.1996).	1-82		
A	US 6,202,210 B1 (LUDTKE) 13 March 2001 (13.03.2001).	1		
A,P	US 2002/0010919 A1 (LU et al.) 24 January 2002 (24.01.2002).	1		
A	US 5,787,334 A (FARDEAU et al.) 28 July 1998 (24.07.1998).	1		
A	US 5,826,164 A (WEINBLATT) 20 October 1998 (20.10.1998).	1		
<input type="checkbox"/> Further documents are listed in the continuation of Box C. <input type="checkbox"/> See patent family annex.				
<table style="width: 100%; border: none;"> <tr> <td style="width: 50%; border: none;"> * Special categories of cited documents: "A" document defining the general state of the art which is not considered to be of particular relevance "E" earlier application or patent published on or after the international filing date "L" document which may throw doubts on priority claim(s) or which is cited to establish the publication date of another citation or other special reason (as specified) "O" document referring to an oral disclosure, use, exhibition or other means "P" document published prior to the international filing date but later than the priority date claimed </td> <td style="width: 50%; border: none;"> "T" later document published after the international filing date or priority date and not in conflict with the application but cited to understand the principle or theory underlying the invention "X" document of particular relevance; the claimed invention cannot be considered novel or cannot be considered to involve an inventive step when the document is taken alone "Y" document of particular relevance; the claimed invention cannot be considered to involve an inventive step when the document is combined with one or more other such documents, such combination being obvious to a person skilled in the art "&" document member of the same patent family </td> </tr> </table>			* Special categories of cited documents: "A" document defining the general state of the art which is not considered to be of particular relevance "E" earlier application or patent published on or after the international filing date "L" document which may throw doubts on priority claim(s) or which is cited to establish the publication date of another citation or other special reason (as specified) "O" document referring to an oral disclosure, use, exhibition or other means "P" document published prior to the international filing date but later than the priority date claimed	"T" later document published after the international filing date or priority date and not in conflict with the application but cited to understand the principle or theory underlying the invention "X" document of particular relevance; the claimed invention cannot be considered novel or cannot be considered to involve an inventive step when the document is taken alone "Y" document of particular relevance; the claimed invention cannot be considered to involve an inventive step when the document is combined with one or more other such documents, such combination being obvious to a person skilled in the art "&" document member of the same patent family
* Special categories of cited documents: "A" document defining the general state of the art which is not considered to be of particular relevance "E" earlier application or patent published on or after the international filing date "L" document which may throw doubts on priority claim(s) or which is cited to establish the publication date of another citation or other special reason (as specified) "O" document referring to an oral disclosure, use, exhibition or other means "P" document published prior to the international filing date but later than the priority date claimed	"T" later document published after the international filing date or priority date and not in conflict with the application but cited to understand the principle or theory underlying the invention "X" document of particular relevance; the claimed invention cannot be considered novel or cannot be considered to involve an inventive step when the document is taken alone "Y" document of particular relevance; the claimed invention cannot be considered to involve an inventive step when the document is combined with one or more other such documents, such combination being obvious to a person skilled in the art "&" document member of the same patent family			
Date of the actual completion of the international search		Date of mailing of the international search report		
20 January 2003 (20.01.2003)		21 AUG 2003		
Name and mailing address of the ISA/US Commissioner of Patents and Trademarks Box PCT Washington, D.C. 20231 Facsimile No. (703)305-3230		Authorized officer  Lester G. Kincaid Telephone No. 703-305-3900		