

(19) World Intellectual Property Organization
International Bureau



(43) International Publication Date
9 December 2010 (09.12.2010)

PCT

(10) International Publication Number
WO 2010/141583 A3

- (51) International Patent Classification:
A61N 5/10 (2006.01)
- (21) International Application Number:
PCT/US2010/037067
- (22) International Filing Date:
2 June 2010 (02.06.2010)
- (25) Filing Language: English
- (26) Publication Language: English
- (30) Priority Data:
61/183,146 2 June 2009 (02.06.2009) US
- (71) Applicant (for all designated States except US): **MAYO FOUNDATION FOR MEDICAL EDUCATION AND RESEARCH** [US/US]; 200 First Street SE, Rochester, MN 55905 (US).
- (72) Inventors; and
- (75) Inventors/Applicants (for US only): **MUNDY, Daniel, W.** [US/US]; 2616 4th Avenue NW, Rochester, MN 55901 (US). **HERMAN, Michael, G.** [US/US]; 2344 Hardwood Court SW, Rochester, MN 55902 (US).
- (74) Agent: **COOK, Jack, M.**; Quarles & Brady LLP, 411 E. Wisconsin Ave., Milwaukee, WI 53202 (US).
- (81) Designated States (unless otherwise indicated, for every kind of national protection available): AE, AG, AL, AM, AO, AT, AU, AZ, BA, BB, BG, BH, BR, BW, BY, BZ, CA, CH, CL, CN, CO, CR, CU, CZ, DE, DK, DM, DO, DZ, EC, EE, EG, ES, FI, GB, GD, GE, GH, GM, GT, HN, HR, HU, ID, IL, IN, IS, JP, KE, KG, KM, KN, KP, KR, KZ, LA, LC, LK, LR, LS, LT, LU, LY, MA, MD, ME, MG, MK, MN, MW, MX, MY, MZ, NA, NG, NI, NO, NZ, OM, PE, PG, PH, PL, PT, RO, RS, RU, SC, SD, SE, SG, SK, SL, SM, ST, SV, SY, TH, TJ, TM, TN, TR, TT, TZ, UA, UG, US, UZ, VC, VN, ZA, ZM, ZW.
- (84) Designated States (unless otherwise indicated, for every kind of regional protection available): ARIPO (BW, GH, GM, KE, LR, LS, MW, MZ, NA, SD, SL, SZ, TZ, UG, ZM, ZW), Eurasian (AM, AZ, BY, KG, KZ, MD, RU, TJ, TM), European (AL, AT, BE, BG, CH, CY, CZ, DE, DK, EE, ES, FI, FR, GB, GR, HR, HU, IE, IS, IT, LT, LU, LV, MC, MK, MT, NL, NO, PL, PT, RO, SE, SI, SK, SM, TR), OAPI (BF, BJ, CF, CG, CI, CM, GA, GN, GQ, GW, ML, MR, NE, SN, TD, TG).

[Continued on next page]

(54) Title: SYSTEM AND METHOD FOR DOSE VERIFICATION RADIOTHERAPY

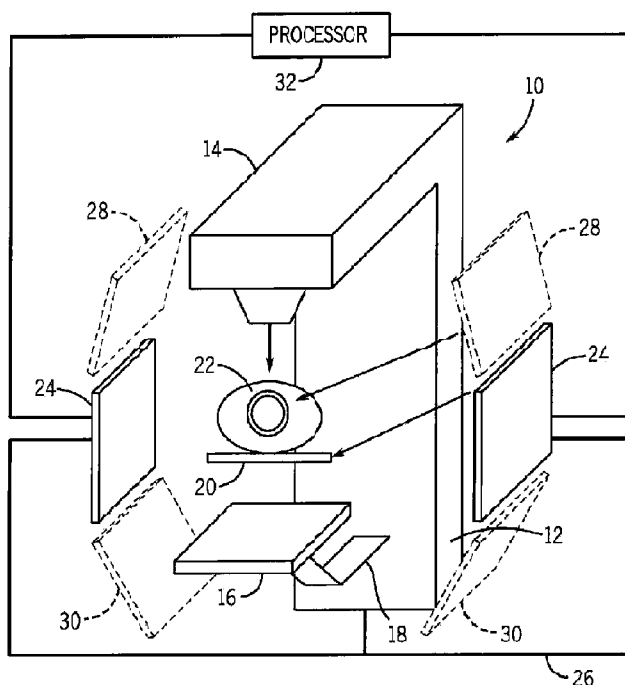


FIG. 1a

(57) Abstract: A system and method for performing dose verification during radiation therapy. The system images photons created by Compton scatter events in the patient receiving treatment using a Compton camera imager (CCI). A dose reconstruction method is provided to reconstruct acquired Compton scatter photon data to produce an image showing dose deposition in the subject.

WO 2010/141583 A3



Published:

- *with international search report (Art. 21(3))*
- *before the expiration of the time limit for amending the claims and to be republished in the event of receipt of amendments (Rule 48.2(h))*
- *with information concerning authorization of rectification of an obvious mistake under Rule 91.3 (b) (Rule 48.2(i))*

(88) Date of publication of the international search report:
17 March 2011

(15) Information about Correction:

Previous Correction:
see Notice of 27 January 2011

INTERNATIONAL SEARCH REPORT

International application No.
PCT/US2010/037067**A. CLASSIFICATION OF SUBJECT MATTER***A61N 5/10(2006.01)i*

According to International Patent Classification (IPC) or to both national classification and IPC

B. FIELDS SEARCHED

Minimum documentation searched (classification system followed by classification symbols)

A61N 5/10; G01T 1/00; G01J 1/42; G01T 1/164; G01T 1/24; H01L 25/00; G01B 15/02

Documentation searched other than minimum documentation to the extent that such documents are included in the fields searched

Korean utility models and applications for utility models

Japanese utility models and applications for utility models

Electronic data base consulted during the international search (name of data base and, where practicable, search terms used)

eKOMPASS(KIPO internal)

C. DOCUMENTS CONSIDERED TO BE RELEVANT

Category*	Citation of document, with indication, where appropriate, of the relevant passages	Relevant to claim No.
A	US 2008-0224061 A1 (BRUCE D. SMITH) 18 September 2008 See Claims 1-3 and Figures 20-23.	1-11
A	US 2005-0023474 A1 (DENNIS E. PERSYK et al.) 03 February 2005 See Claim 10 and Figures 1,4.	1-11
A	US 2004-0017889 A1 (MURADIN ABUBEKIROVICH KUMAKHOV) 29 January 2004 See Claims 1,17 and Figure 1.	1-11
A	US 2002-0044628 A1 (ESAM HUSSEIN et al.) 18 April 2002 See Figure 7.	1-11
A	US 2006-0138332 A1 (DOUGLAS BRYMAN) 29 June 2006 See Claim 1.	1-11

 Further documents are listed in the continuation of Box C. See patent family annex.

* Special categories of cited documents:

"A" document defining the general state of the art which is not considered to be of particular relevance

"E" earlier application or patent but published on or after the international filing date

"L" document which may throw doubts on priority claim(s) or which is cited to establish the publication date of citation or other special reason (as specified)

"O" document referring to an oral disclosure, use, exhibition or other means

"P" document published prior to the international filing date but later than the priority date claimed

"T" later document published after the international filing date or priority date and not in conflict with the application but cited to understand the principle or theory underlying the invention

"X" document of particular relevance; the claimed invention cannot be considered novel or cannot be considered to involve an inventive step when the document is taken alone

"Y" document of particular relevance; the claimed invention cannot be considered to involve an inventive step when the document is combined with one or more other such documents, such combination being obvious to a person skilled in the art

"&" document member of the same patent family

Date of the actual completion of the international search

13 JANUARY 2011 (13.01.2011)

Date of mailing of the international search report

14 JANUARY 2011 (14.01.2011)

Name and mailing address of the ISA/KR

Korean Intellectual Property Office
Government Complex-Daejeon, 139 Seonsa-ro, Seo-
gu, Daejeon 302-701, Republic of Korea

Facsimile No. 82-42-472-7140

Authorized officer

Noh, Young Chul

Telephone No. 82-42-481-5617



INTERNATIONAL SEARCH REPORT

International application No.

PCT/US2010/037067**Box No. II Observations where certain claims were found unsearchable (Continuation of item 2 of first sheet)**

This international search report has not been established in respect of certain claims under Article 17(2)(a) for the following reasons:

1. Claims Nos.:
because they relate to subject matter not required to be searched by this Authority, namely:

2. Claims Nos.: 12-20
because they relate to parts of the international application that do not comply with the prescribed requirements to such an extent that no meaningful international search can be carried out, specifically:

There are the same claim numbers, Claims 12-13. And the claims 14-20 refer to the claims 12 or 13.

3. Claims Nos.:
because they are dependent claims and are not drafted in accordance with the second and third sentences of Rule 6.4(a).

Box No. III Observations where unity of invention is lacking (Continuation of item 3 of first sheet)

This International Searching Authority found multiple inventions in this international application, as follows:

1. As all required additional search fees were timely paid by the applicant, this international search report covers all searchable claims.
2. As all searchable claims could be searched without effort justifying an additional fee, this Authority did not invite payment of any additional fee.
3. As only some of the required additional search fees were timely paid by the applicant, this international search report covers only those claims for which fees were paid, specifically claims Nos.:

4. No required additional search fees were timely paid by the applicant. Consequently, this international search report is restricted to the invention first mentioned in the claims; it is covered by claims Nos.:

- Remark on Protest**
- The additional search fees were accompanied by the applicant's protest and, where applicable, the payment of a protest fee.
- The additional search fees were accompanied by the applicant's protest but the applicable protest fee was not paid within the time limit specified in the invitation.
- No protest accompanied the payment of additional search fees.

INTERNATIONAL SEARCH REPORT

Information on patent family members

International application No.

PCT/US2010/037067

Patent document cited in search report	Publication date	Patent family member(s)	Publication date
US 2008-0224061 A1	18.09.2008	US 7573039 B2	11.08.2009
US 2005-0023474 A1	03.02.2005	US 7397038 B2	08.07.2008
US 2004-0017889 A1	29.01.2004	DE 60104199 D1	12.08.2004
		DE 60104199 T2	04.08.2005
		EP 1293229 A1	19.03.2003
		EP 1293229 A4	23.07.2003
		EP 1293229 B1	07.07.2004
		US 7315757 B2	01.01.2008
		WO 02-083238 A1	24.10.2002
		WO 0208-3238A1	24.10.2002
US 2002-0044628 A1	18.04.2002	US 6563906 B2	13.05.2003
US 2006-0138332 A1	29.06.2006	US 7321122 B2	22.01.2008