



US00D960706S

(12) **United States Design Patent**
Yamada

(10) **Patent No.:** **US D960,706 S**

(45) **Date of Patent:** **** Aug. 16, 2022**

(54) **LID FOR A CUP**

(71) Applicant: **Kikuo Yamada**, Tokyo (JP)

(72) Inventor: **Kikuo Yamada**, Tokyo (JP)

(**) Term: **15 Years**

(21) Appl. No.: **29/829,972**

(22) Filed: **Mar. 9, 2022**

(58) **Field of Classification Search**

USPC D3/202; D7/509-511, 550.1, 601, 619.1,
D7/624.1, 635, 354, 387, 391, 392, 392.1,
(Continued)

(56) **References Cited**

U.S. PATENT DOCUMENTS

1,953,933 A 4/1934 Gundelach
3,371,847 A 3/1968 Stengle
(Continued)

OTHER PUBLICATIONS

Compostable Paper Lids: Site Visited [Apr. 17, 2022]. Available
from Internet URL: <https://www.greenershapes.com/compostable-paper-lids-for-cups-bowls/>.*

(Continued)

Primary Examiner — Catherine S Posthauer

(74) *Attorney, Agent, or Firm* — Young Basile Hanlon &
MacFarlane, P.C.

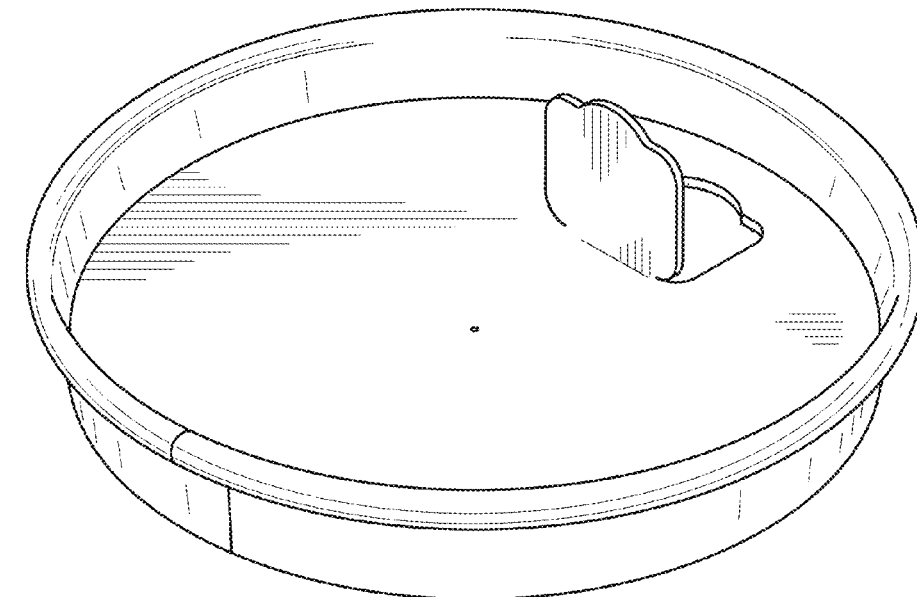
(57) **CLAIM**

The ornamental design for a lid for a cup, as shown and
described.

DESCRIPTION

FIG. 1 is a front view of a lid for a cup showing my new
design in a first state;
FIG. 2 is a rear view thereof;
FIG. 3 is a left view thereof;
FIG. 4 is a right view thereof;
FIG. 5 is a top view thereof;
FIG. 6 is a bottom view thereof;
FIG. 7 is a perspective view thereof in a second state; and,
FIG. 8 is a detail view taken from line 8 in FIG. 5.
The dot-dash lines represent the designation of an enlarged
detail view and form no part of the claimed design.

1 Claim, 8 Drawing Sheets



Related U.S. Application Data

(62) Division of application No. 29/695,186, filed on Jun.
17, 2019, now Pat. No. Des. 947,675.

(30) **Foreign Application Priority Data**

Dec. 17, 2018	(JP)	2018-27452
Dec. 21, 2018	(JP)	2018-28142
Dec. 21, 2018	(JP)	2018-28143
Jan. 11, 2019	(JP)	2019-00418
Jan. 24, 2019	(JP)	2019-01250
Jan. 24, 2019	(JP)	2019-01251
Jan. 24, 2019	(JP)	2019-01252
Jan. 29, 2019	(JP)	2019-01531
Jan. 29, 2019	(JP)	2019-01532
Feb. 21, 2019	(JP)	2019-03491
Mar. 18, 2019	(JP)	2019-05713
Mar. 19, 2019	(JP)	2019-05758
Mar. 26, 2019	(JP)	2019-06358
Mar. 26, 2019	(JP)	2019-06359
Mar. 26, 2019	(JP)	2019-06360
Mar. 26, 2019	(JP)	2019-06361

(51) **LOC (13) Cl.** **09-07**

(52) **U.S. Cl.**
USPC **D9/454; D9/447**

(58) **Field of Classification Search**

USPC D7/396.1, 396.2, 396.6; D9/434, 435,
D9/436, 438, 439, 440, 445, 447, 448,
D9/452, 454, 455
CPC .. B65D 43/0212; B65D 43/0218; B65D 1/36;
B65D 51/28; B65D 2543/00046; B65D
2543/00027; B65D 2543/00092; B65D
2543/00296; B65D 2543/00351; B65D
2543/00537; B65D 2543/00731; B65D
47/2018; B65D 47/06; B65D 51/24;
A47G 21/06; A47G 21/00; A47G 19/00;
A47G 19/02

See application file for complete search history.

D887,773 S 6/2020 Fourie
D897,051 S 9/2020 Kerr et al.
10,875,685 B2 12/2020 Luburic et al.
D908,002 S 1/2021 Bontrager et al.
D908,421 S 1/2021 Peterson
D916,590 S 4/2021 Albright et al.
D917,284 S 4/2021 Albright et al.
D926,574 S 8/2021 Yamada
D926,575 S 8/2021 Yamada
11,124,335 B1 9/2021 Mahan
D932,844 S 10/2021 Falkenberg
D934,075 S 10/2021 Oh
D944,643 S * 3/2022 D'Amato D9/435
D947,675 S * 4/2022 Yamada D9/454
2002/0125250 A1 9/2002 Fang
2003/0089726 A1* 5/2003 Mazzarolo B65D 43/0256
220/268

(56) **References Cited**

U.S. PATENT DOCUMENTS

3,743,133 A 7/1973 Rathbun
D229,038 S 11/1973 Schutz
3,831,798 A 8/1974 Rowe et al.
3,977,559 A 8/1976 Lombardi
4,090,004 A 5/1978 Tebbutt et al.
D253,338 S * 11/1979 Hasegawa D9/438
4,411,370 A * 10/1983 Rausing B65D 17/503
220/268
D274,502 S * 7/1984 Little D9/438
4,629,088 A * 12/1986 Durgin B65D 47/103
220/269
4,741,450 A * 5/1988 Braude B65D 43/0268
220/269
4,767,019 A 8/1988 Horner
4,940,158 A * 7/1990 Farrell B65D 81/3453
220/276
D311,140 S 10/1990 Nelson
D350,688 S * 9/1994 Wardell, Jr. D9/435
D358,531 S 5/1995 Cousins et al.
D404,304 S 1/1999 Kick
D405,692 S 2/1999 Johnson
5,897,019 A 4/1999 Stropkay
5,906,288 A 5/1999 Dwinell
D419,448 S 1/2000 Kick
D433,597 S 11/2000 Fradkin
D474,068 S 5/2003 Fujii et al.
D525,826 S 8/2006 Kugler
D538,653 S * 3/2007 Robinson D9/449
D570,213 S 6/2008 Newman
D601,309 S 9/2009 Babal
D615,861 S 5/2010 Watts et al.
D631,284 S 1/2011 Fuller
D642,425 S 8/2011 Hale
D692,720 S * 11/2013 Audette D9/447
D696,113 S 12/2013 Stein
D696,940 S 1/2014 Hale et al.
D752,978 S 4/2016 Zabeleta et al.
D767,329 S 9/2016 Mock
D786,673 S 5/2017 Moffat
D795,007 S 8/2017 Plassmeyer
D807,746 S 1/2018 Fleming
D816,500 S 5/2018 Torrison et al.
D828,158 S 9/2018 Manis
D843,211 S 3/2019 Ghorbani
D845,064 S 4/2019 Mulhauser et al.
10,479,575 B2 11/2019 Danenberg et al.
D880,224 S 4/2020 Wiggins et al.

2009/0206089 A1 8/2009 Mueller
2010/0288827 A1 11/2010 Booth
2012/0318816 A1 12/2012 Lin
2014/0042158 A1 2/2014 Witkowski et al.
2016/0058223 A1 3/2016 Savenok
2018/0206660 A1 7/2018 Heiman
2019/0375560 A1 12/2019 Tobias
2020/0128982 A1 4/2020 Tseng
2020/0346820 A1 11/2020 Sa
2021/0086958 A1 3/2021 Tobias
2021/0198014 A1 7/2021 Zhu et al.
2021/0237945 A1 8/2021 Tanaka et al.
2021/0316912 A1* 10/2021 Yamada B65D 55/16

OTHER PUBLICATIONS

Biodegradable Disposable Paper Cup Lid: Site Visited [Apr. 17, 2022]. Available from Internet URL: https://www.glamanpaperlid.com/factory-direct-sale-biodegradable-disposable-paper-cup_p2.html.*
Paper Lid with Biodegradable Film for Paper Cup: Announced [Apr. 1, 2019]. Site Visited [Apr. 18, 2022]. Available from Internet URL: <https://www.g-mark.org/award/describe/49216?locale=en>.*
Good Design Award_Paper Lid: Announced [Apr. 1, 2019 (online)]. Site Visited [Mar. 25, 2022], Available from Internet URL: <https://www.g-mark.org/award/describe/49216?locale=en>.
Custom Design Bamboo Pulp Lids: Site Visited [Mar. 25, 2022], Available from Internet URL: https://www.glamanpaperlid.com/custom-design-bamboo-pulp-paper-lids-for-cups_p262.html.
Vegware: Site Visited [Mar. 25, 2022], Available from Internet URL: <https://news.vegware.com/2021/05/13/new-pull-back-paper-lids-for-hot-cups/>.
X Haso Lids: Site visited [Mar. 25, 2022], Available from Internet URL: http://www.hasold.com/coffee/EN_LID%20catalog.pdf.
U.S. Appl. No. 29/695,186, titled "Lid for a Cup," filed Jun. 17, 2019. Inventor Kikuo Yamada.
U.S. Appl. No. 29/698,511, titled "Lid for a Cup," filed Jul. 17, 2019. Inventor Kikuo Yamada.
U.S. Appl. No. 29/698,514, titled "Lid for a Cup," filed Jul. 17, 2019. Inventor Kikuo Yamada.
Paper Lid: Announced Jan. 4, 2019 (online), Site Visited (Aug. 29, 2020). Available from internet URL: http://www.g-mark-org-products.elasticbeanstalk.com/award/describe/49216?locale=zh_CN.
Paper Lid: Announced 2019 [online]. Site Visited [Aug. 10, 2020]. Available from Internet URL: <https://www.g-ark.org/award/describe/49216?locale=en>.

* cited by examiner

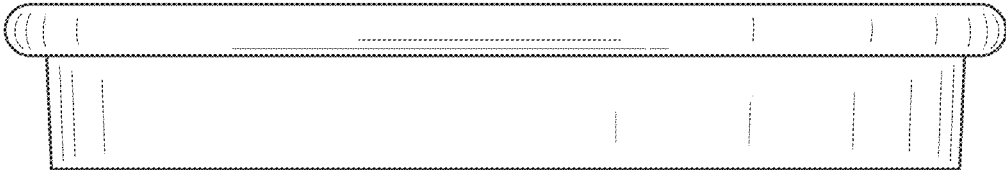


FIG. 1

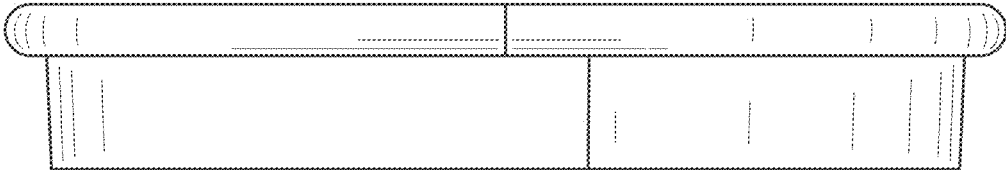


FIG. 2

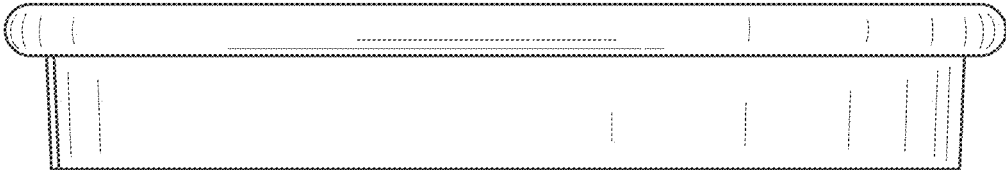


FIG. 3

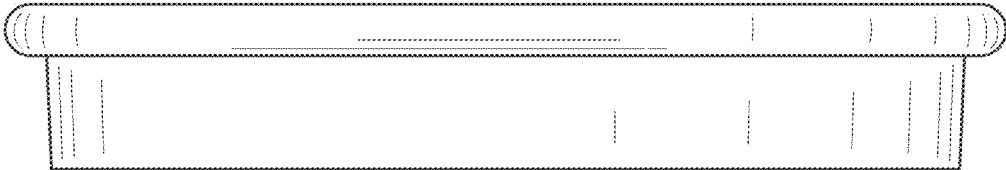


FIG. 4

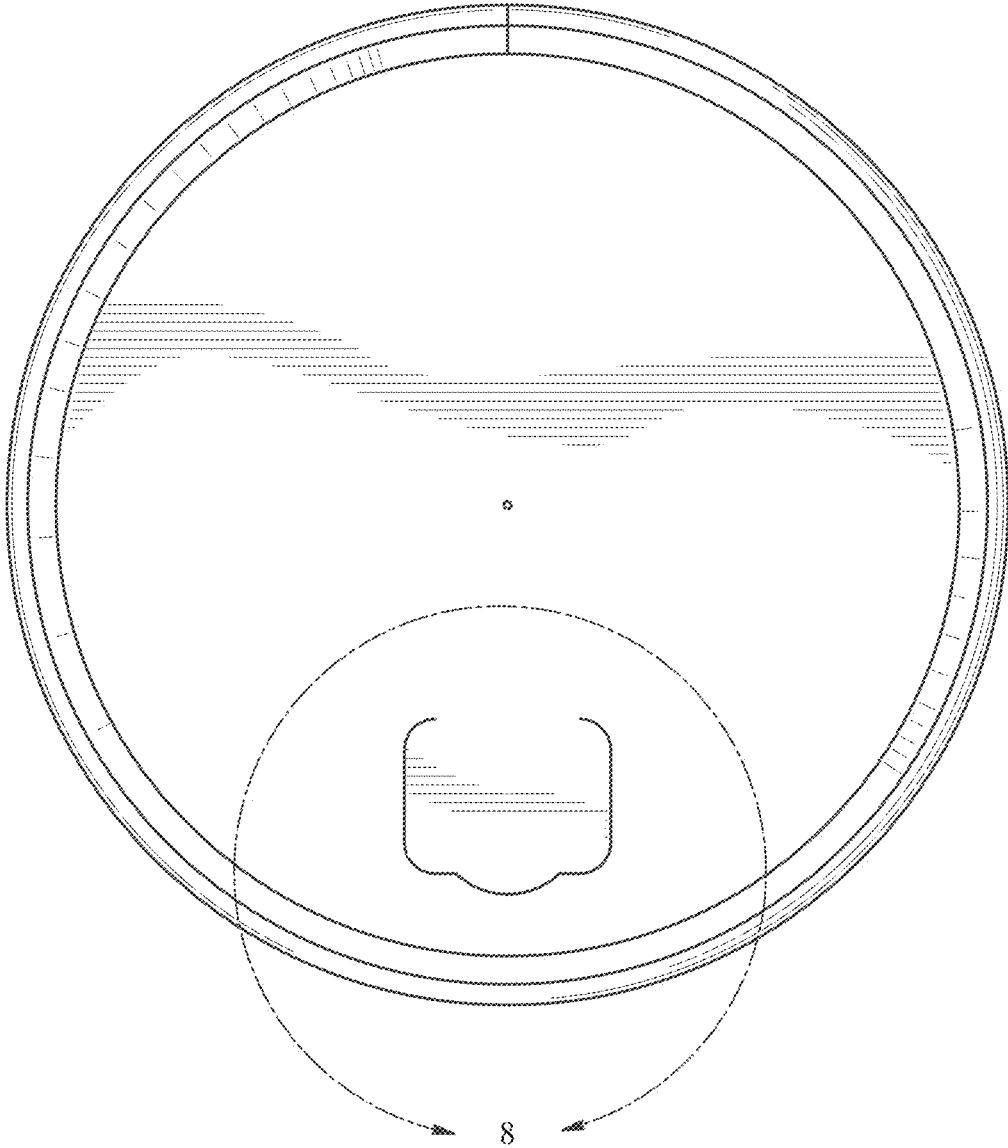


FIG. 5

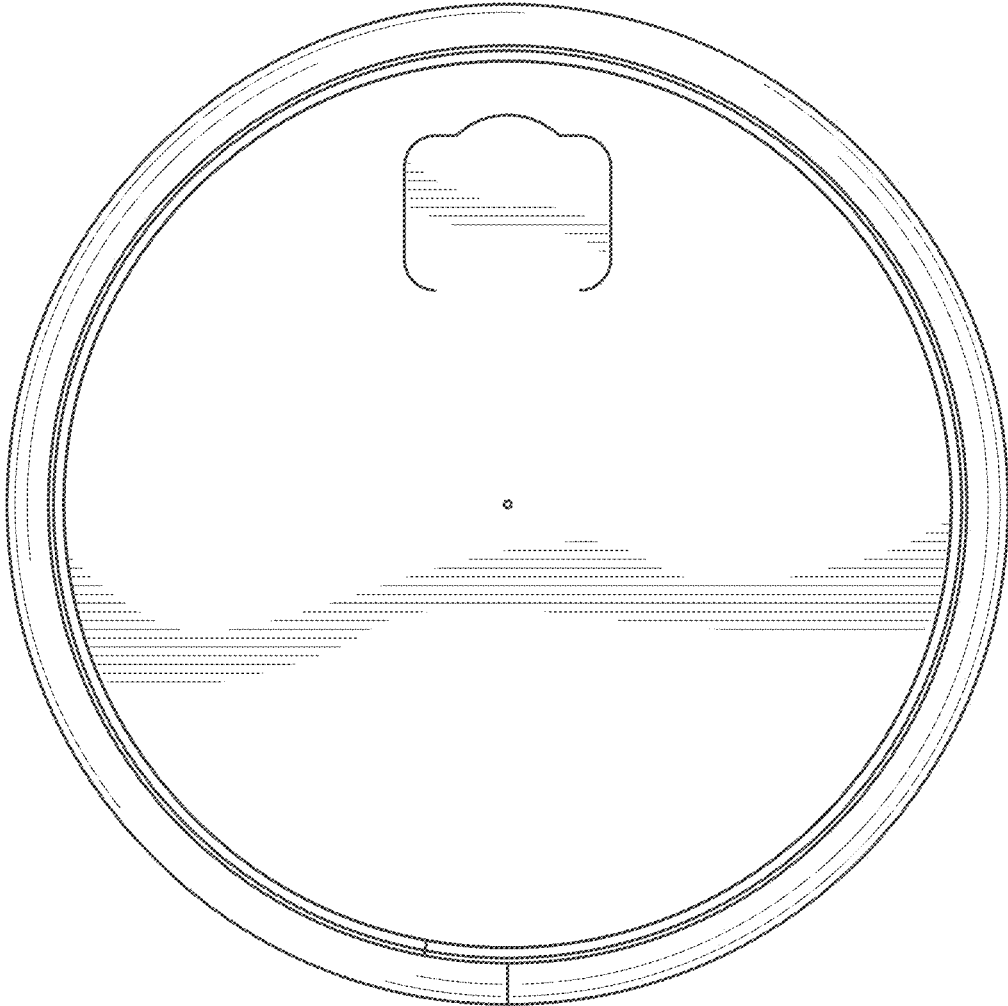


FIG. 6

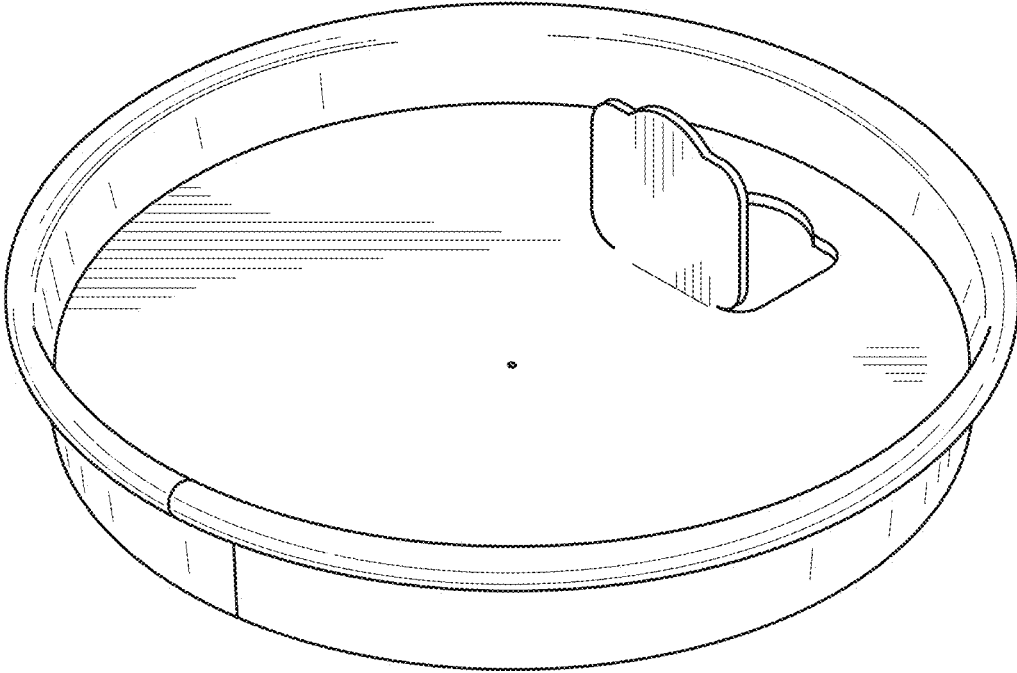


FIG. 7

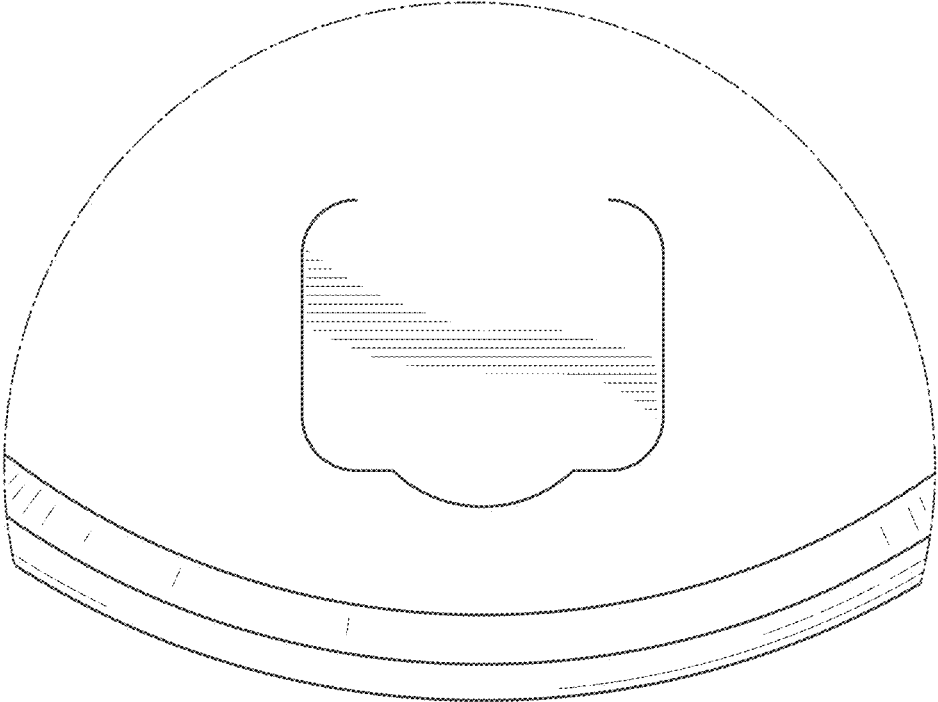


FIG. 8