



US00D487498S

(12) **United States Design Patent** (10) **Patent No.:** **US D487,498 S**
Blomstrom (45) **Date of Patent:** **** Mar. 9, 2004**

- (54) **SHOWER HEAD**
- (75) Inventor: **John K. Blomstrom**, Sheboygan Falls, WI (US)
- (73) Assignee: **Kohler Co.**, Kohler, WI (US)
- (**) Term: **14 Years**
- (21) Appl. No.: **29/174,552**
- (22) Filed: **Jan. 20, 2003**
- (51) **LOC (7) Cl.** **23-01**
- (52) **U.S. Cl.** **D23/213; D23/229**
- (58) **Field of Search** D23/213, 229, D23/230; 4/601, 614; 239/548, 282, 283

- (56) **References Cited**
- U.S. PATENT DOCUMENTS**
- D430,267 S * 8/2000 Milrud et al. D23/229
- D465,553 S * 11/2002 Singtoroj D23/229
- D472,301 S * 3/2003 Mueller et al. D23/213
- D472,305 S * 3/2003 Colligan et al. D23/229
- D476,059 S * 6/2003 Huang D23/213

OTHER PUBLICATIONS

1999 Kallista catalog ad, p. 21, showing shower heads.
 Undated Kallista catalog ad showing shower heads.
 2000 Kohler catalog ad, p. 2.88, showing a "K-16134/K-16133" shower head.

Undated Harden catalog ad, p. 74, showing an "Old Style" shower head.
 Undated Bathroom Faucets catalog ad, p. 20, showing a "38.10055" shower head.
 * cited by examiner

Primary Examiner—Robin V. Taylor
 (74) *Attorney, Agent, or Firm*—Quarles & Brady LLP

(57) **CLAIM**

The ornamental design for a shower head, as shown and described.

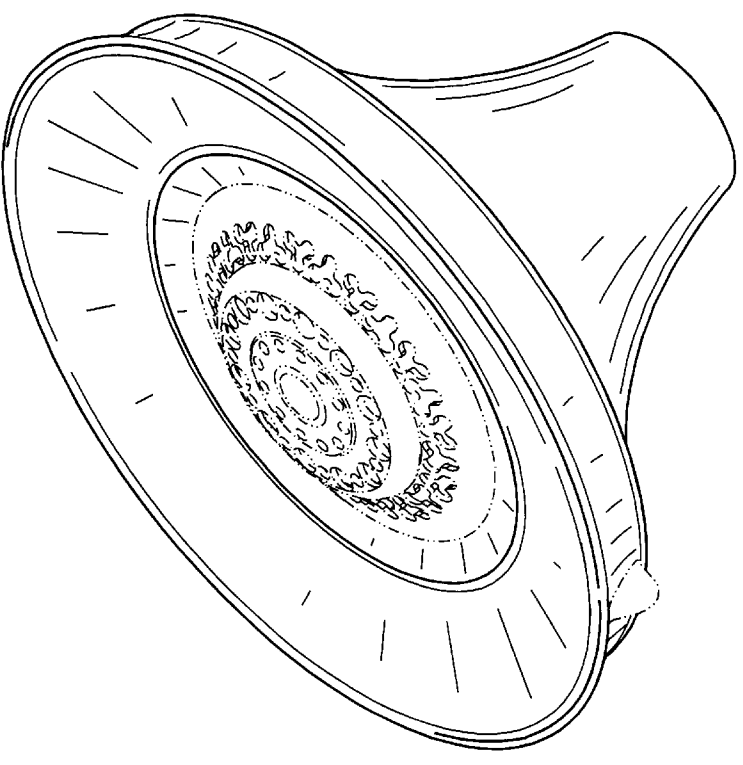
DESCRIPTION

In a preferred embodiment, the nature of this product is as a shower head primarily useful for enabling a water spray from a plumbing fitting.

FIG. 1 is a right, top, front perspective view of a shower head embodying my new design;
 FIG. 2 is a front elevational view thereof;
 FIG. 3 is a right side elevational view thereof, the left side elevational view being a mirror image of the right side shown;
 FIG. 4 is a top plan view thereof; and,
 FIG. 5 is a rear elevational view thereof.

The broken line representations of a face plate and nozzles in FIGS. 1 and 2, of a tab in FIGS. 1-4, and of mounting structure in FIG. 5, are for the purpose of illustration only, and form no part of the claimed design.

1 Claim, 3 Drawing Sheets



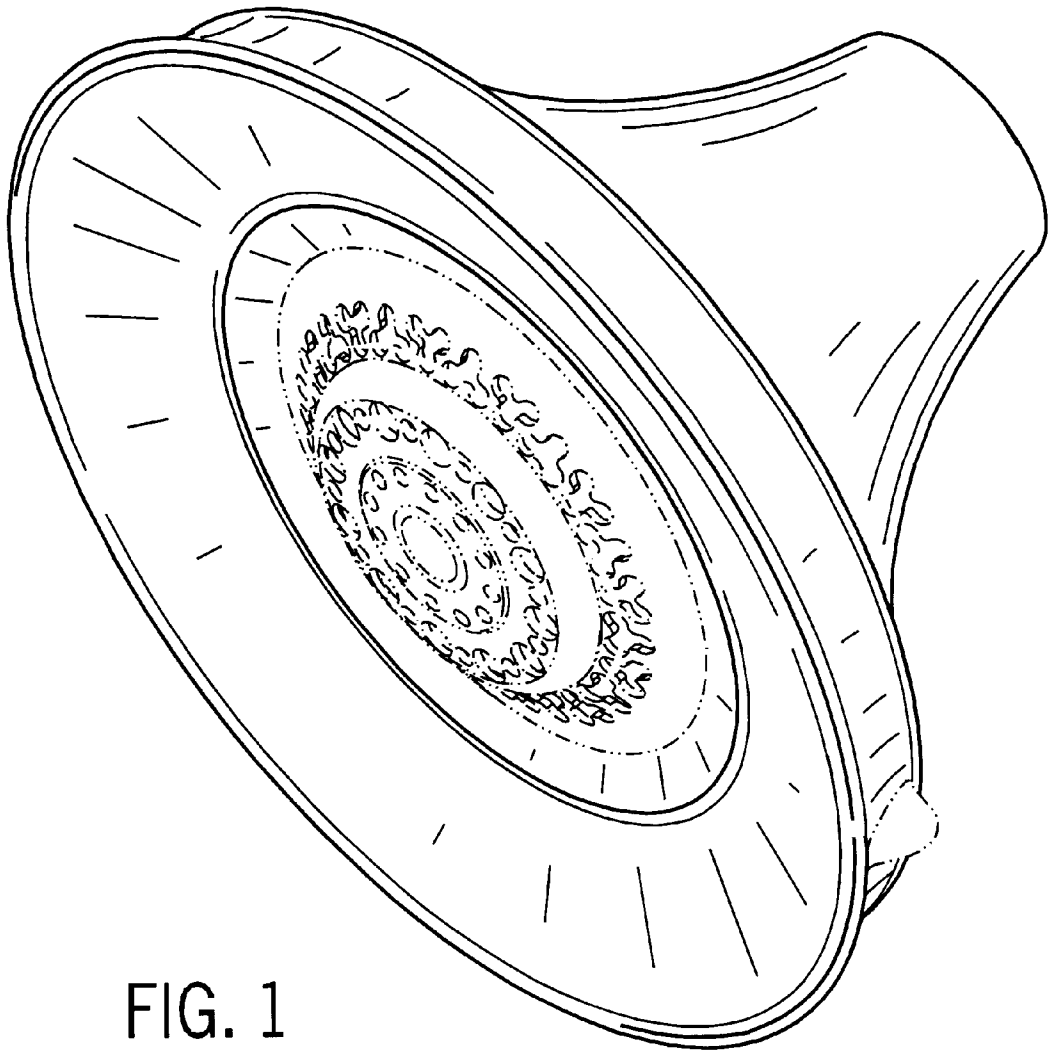


FIG. 1

FIG. 2

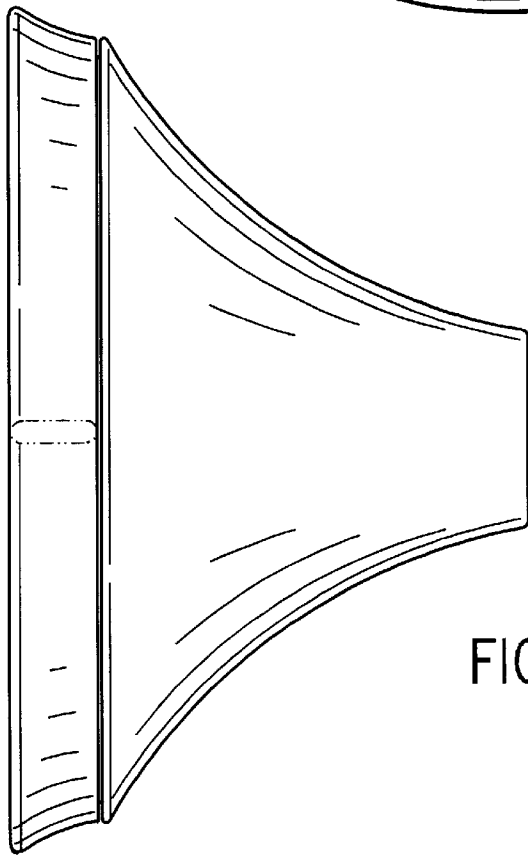
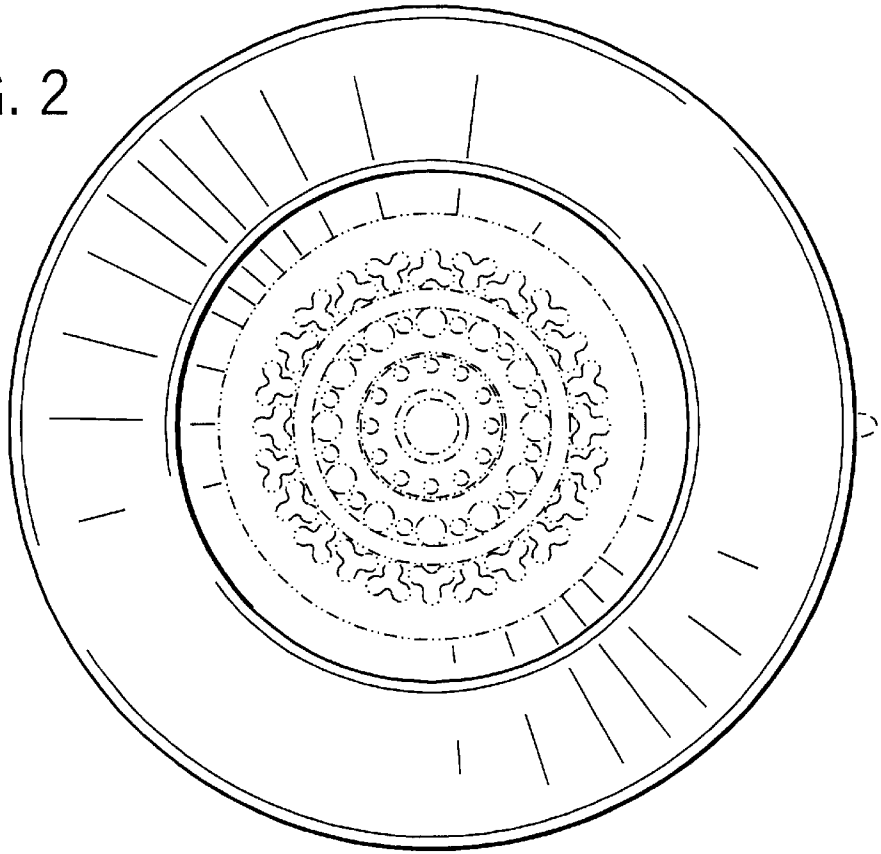


FIG. 3

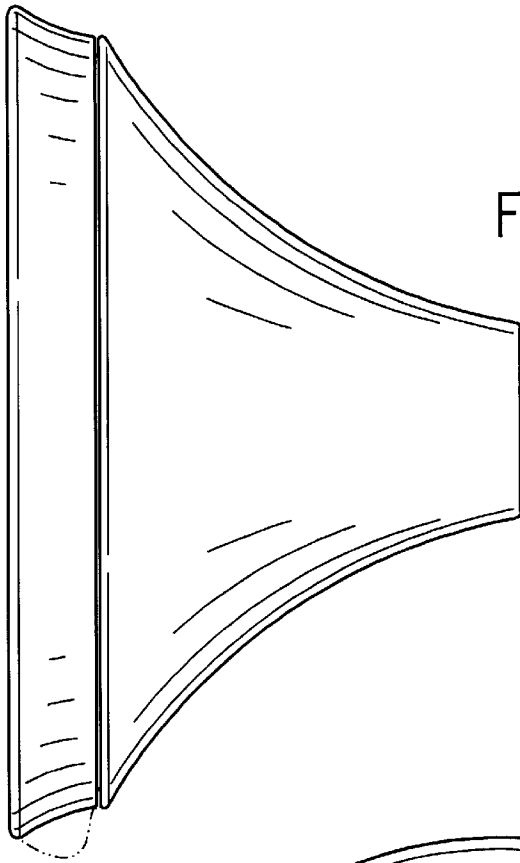


FIG. 4

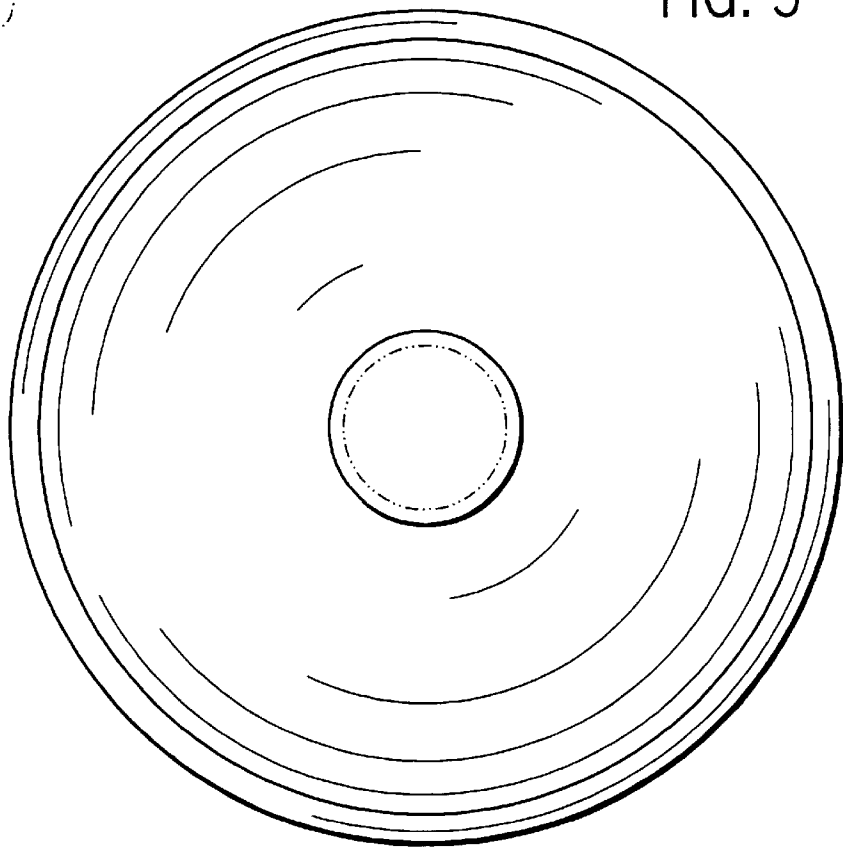


FIG. 5