

(12) INTERNATIONAL APPLICATION PUBLISHED UNDER THE PATENT COOPERATION TREATY (PCT)

(19) World Intellectual Property Organization  
International Bureau



(43) International Publication Date  
9 January 2003 (09.01.2003)

PCT

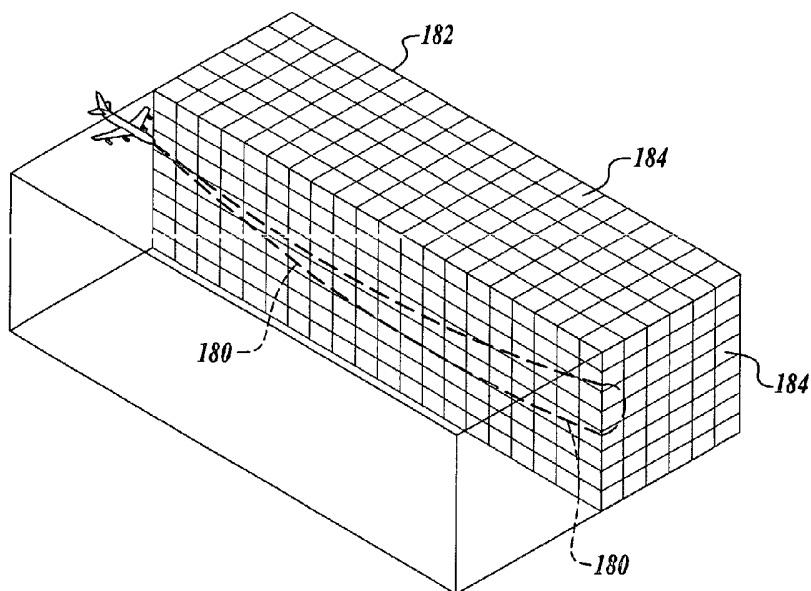
(10) International Publication Number  
**WO 03/003041 A3**

- (51) International Patent Classification<sup>7</sup>: **G01S 13/95**, 7/06, 7/10, 7/24
- (72) Inventors: **CORNELL, Bill**; 3410 166th Avenue SE, Bellevue, WA 98008 (US). **SZETO, Roland**; 5221 25th Avenue, Seattle, WA 98108 (US).
- (21) International Application Number: PCT/US02/04850
- (74) Agents: **CRISS, Roger** et al.; Honeywell International Inc., 101 Columbia Road, P.O. Box 2245, Morristown, NJ 07962-2245 (US).
- (22) International Filing Date: 19 February 2002 (19.02.2002)
- (25) Filing Language: English
- (84) Designated States (*regional*): European patent (DE, FR, GB).
- (26) Publication Language: English
- Published:**  
— with international search report
- (30) Priority Data:
- |            |                           |    |
|------------|---------------------------|----|
| 60/301,864 | 29 June 2001 (29.06.2001) | US |
| 60/306,488 | 18 July 2001 (18.07.2001) | US |
| 60/306,925 | 19 July 2001 (19.07.2001) | US |
- (88) Date of publication of the international search report:  
20 November 2003

(71) Applicant: **HONEYWELL INTERNATIONAL INC.** [US/US]; Law Department, 101 Columbia Road, P.O. Box 2245, Morristown, NJ 07962-2245 (US).

*For two-letter codes and other abbreviations, refer to the "Guidance Notes on Codes and Abbreviations" appearing at the beginning of each regular issue of the PCT Gazette.*

(54) Title: 3-D WEATHER BUFFER DISPLAY SYSTEM



(57) Abstract: The present invention comprises a system, method, and computer program product for generating various weather radar images. A weather radar display system includes a database, a display, and a display processor coupled to the database and the display. The display processor includes a first component configured to store radar return data in a three-dimensional buffer in the database based on aircraft position information, a second component configured to extract at least a portion of the data stored in the three-dimensional buffer based on aircraft position information, and a third component configured to generate an image of the extracted return data for presentation on the display.



WO 03/003041 A3

## INTERNATIONAL SEARCH REPORT

International Application No  
PCT/US 02/04850

<b>A. CLASSIFICATION OF SUBJECT MATTER</b>		
IPC 7	G01S13/95	G01S7/06 G01S7/10 G01S7/24
According to International Patent Classification (IPC) or to both national classification and IPC		
<b>B. FIELDS SEARCHED</b>		
Minimum documentation searched (classification system followed by classification symbols)		
IPC 7 G01S		
Documentation searched other than minimum documentation to the extent that such documents are included in the fields searched		
Electronic data base consulted during the international search (name of data base and, where practical, search terms used)		
EPO-Internal, WPI Data, PAJ, INSPEC		
<b>C. DOCUMENTS CONSIDERED TO BE RELEVANT</b>		
Category °	Citation of document, with indication, where appropriate, of the relevant passages	Relevant to claim No.
X	US 5 828 332 A (FREDERICK PHILIP R) 27 October 1998 (1998-10-27) cited in the application	1,6-10, 12, 17-21, 23,28-32
Y	abstract  column 2, line 28 -column 3, line 63 column 14, line 57 -column 15, line 59	2-5,11, 13-16, 22, 24-27,33
Y	US 5 331 330 A (SUSNJARA KENNETH J) 19 July 1994 (1994-07-19)  the whole document	2-4,11, 13-15, 22, 24-26,33
---		
-/--		
<input checked="" type="checkbox"/> Further documents are listed in the continuation of box C. <input checked="" type="checkbox"/> Patent family members are listed in annex.		
° Special categories of cited documents :		
*A* document defining the general state of the art which is not considered to be of particular relevance *E* earlier document but published on or after the international filing date *L* document which may throw doubts on priority claim(s) or which is cited to establish the publication date of another citation or other special reason (as specified) *O* document referring to an oral disclosure, use, exhibition or other means *P* document published prior to the international filing date but later than the priority date claimed		*T* later document published after the international filing date or priority date and not in conflict with the application but cited to understand the principle or theory underlying the invention *X* document of particular relevance; the claimed invention cannot be considered novel or cannot be considered to involve an inventive step when the document is taken alone *Y* document of particular relevance; the claimed invention cannot be considered to involve an inventive step when the document is combined with one or more other such documents, such combination being obvious to a person skilled in the art. *&* document member of the same patent family
Date of the actual completion of the international search		Date of mailing of the international search report
12 March 2003		20/03/2003
Name and mailing address of the ISA European Patent Office, P.B. 5818 Patentlaan 2 NL - 2280 HV Rijswijk Tel. (+31-70) 340-2040, Tx. 31 651 epo nl, Fax: (+31-70) 340-3016		Authorized officer  Roost, J

## INTERNATIONAL SEARCH REPORT

 International Application No  
 PCT/US 02/04850

C.(Continuation) DOCUMENTS CONSIDERED TO BE RELEVANT		
Category °	Citation of document, with indication, where appropriate, of the relevant passages	Relevant to claim No.
Y	US 5 699 067 A (BROWN WILLIAM GUY ET AL) 16 December 1997 (1997-12-16) abstract column 1, line 50 -column 2, line 61 ----	5,16,27
A	US 6 184 816 B1 (BURNE RICHARD ET AL) 6 February 2001 (2001-02-06)  abstract column 14, line 15 -column 17, line 67 ----	1,5,6, 12,16, 17,23, 27,28
X	US 5 202 690 A (FREDERICK PHILIP R) 13 April 1993 (1993-04-13) cited in the application abstract column 8, line 9 -column 9, line 55 ----	1,12,23
X	US 5 781 146 A (FREDERICK PHILIP R) 14 July 1998 (1998-07-14) cited in the application abstract column 2, line 19 -column 3, line 36 ----	1,12,23
X	US 5 920 276 A (FREDERICK PHILIP R) 6 July 1999 (1999-07-06) cited in the application abstract ----	1,12,23
A	US 4 940 987 A (FREDERICK PHILIP R) 10 July 1990 (1990-07-10) cited in the application abstract ----	1,12,23
A	US 5 059 967 A (ROOS MARK G) 22 October 1991 (1991-10-22) cited in the application abstract -----	1,12,23

INTERNATIONAL SEARCH REPORT

Information on patent family members

International Application No

PCT/US 02/04850

Patent document cited in search report	Publication date	Patent family member(s)	Publication date
US 5828332	A	27-10-1998	US 5781146 A 14-07-1998 WO 9807047 A1 19-02-1998 US 5920276 A 06-07-1999
US 5331330	A	19-07-1994	NONE
US 5699067	A	16-12-1997	DE 69717728 D1 23-01-2003 EP 0816864 A2 07-01-1998 JP 2987348 B2 06-12-1999 JP 11248819 A 17-09-1999 KR 246695 B1 15-03-2000
US 6184816	B1	06-02-2001	US 6456226 B1 24-09-2002 WO 0002064 A1 13-01-2000
US 5202690	A	13-04-1993	EP 0643843 A1 22-03-1995 JP 8501383 T 13-02-1996 WO 9324846 A1 09-12-1993
US 5781146	A	14-07-1998	US 5920276 A 06-07-1999 US 5828332 A 27-10-1998
US 5920276	A	06-07-1999	US 5781146 A 14-07-1998 US 5828332 A 27-10-1998
US 4940987	A	10-07-1990	CA 2008757 A1 30-07-1990 EP 0381164 A2 08-08-1990 JP 2238390 A 20-09-1990
US 5059967	A	22-10-1991	NONE