



US00D735792S

(12) **United States Design Patent**
Ferman

(10) **Patent No.:** **US D735,792 S**

(45) **Date of Patent:** **** Aug. 4, 2015**

- (54) **WEDGE SUPPORT FOR CAMERA**
- (71) Applicant: **Extreme Hunting Solutions, LLC**,
Randolph, NJ (US)
- (72) Inventor: **Randall Ferman**, Randolph, NJ (US)
- (73) Assignee: **Extreme Hunting Solution, LLC**,
Centerville, IA (US)
- (**) Term: **14 Years**

8,657,508	B1	2/2014	Ferman
D712,726	S	9/2014	Perrin
D714,807	S	10/2014	Pulver
2002/0085844	A1	7/2002	Tashiro et al.
2008/0136916	A1	6/2008	Wolff
2014/0147105	A1	5/2014	Ferman

- (21) Appl. No.: **29/446,625**
 - (22) Filed: **Feb. 26, 2013**
 - (51) **LOC (10) Cl.** **16-05**
 - (52) **U.S. Cl.**
USPC **D16/242**
 - (58) **Field of Classification Search**
USPC D16/219, 242; 248/673; 348/169;
396/427
- See application file for complete search history.

FOREIGN PATENT DOCUMENTS

CA 110642 * 7/2006

OTHER PUBLICATIONS

ATA 2013 Trade Show, Randall Ferman, "The Wedge", Jan. 2013.
Extreme Hunting Solutions website, "The Wedge", 2013.

* cited by examiner

Primary Examiner — Susan Bennett Hattan
Assistant Examiner — Leanne Was
(74) *Attorney, Agent, or Firm* — Lerner, David, Littenberg,
Krumholz & Mentlik, LLP

(56) **References Cited**

U.S. PATENT DOCUMENTS

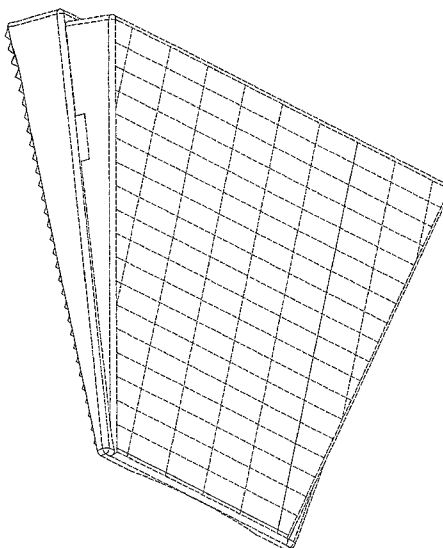
D152,540	S	*	2/1949	Heward	D16/242
D187,713	S		4/1960	Barzman et al.		
D284,738	S		7/1986	Stone		
D295,248	S		4/1988	Sommerfield et al.		
D300,856	S		4/1989	Bojsen-Moller		
D303,120	S	*	8/1989	Cavdek	D16/242
D323,668	S	*	2/1992	Schwartz et al.	D16/242
D324,530	S	*	3/1992	Blaylock	D16/242
D406,028	S		2/1999	Montgomery		
D452,509	S		12/2001	Allsop		
D476,662	S		7/2003	Knieper		
D538,150	S		3/2007	Burns et al.		
D577,943	S		10/2008	Larsen		
D590,676	S		4/2009	Pickard		
7,905,465	B1		3/2011	Anwar		
D664,148	S		7/2012	Josefek		

(57) **CLAIM**
The ornamental design for a wedge support for camera, as shown and described.

DESCRIPTION

FIG. 1 is a front perspective view of a wedge support for camera showing my new design;
FIG. 2 is a left side elevation view thereof, the right side being a mirror image thereof;
FIG. 3 is a back plan view thereof;
FIG. 4 is a bottom elevation view thereof;
FIG. 5 is a top elevation view thereof; and,
FIG. 6 is a back perspective view thereof.
The broken lines in the drawings depict unclaimed portions of the wedge support for camera and form no part of the claimed design.

1 Claim, 6 Drawing Sheets



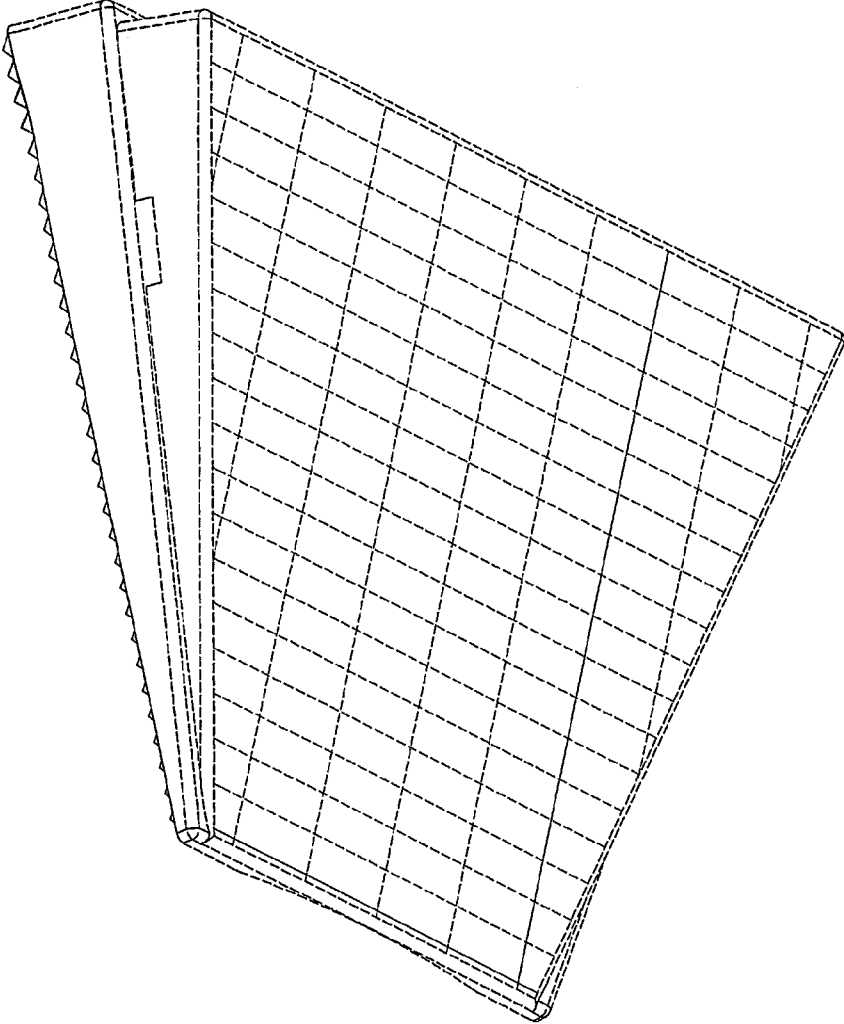


FIG. 1

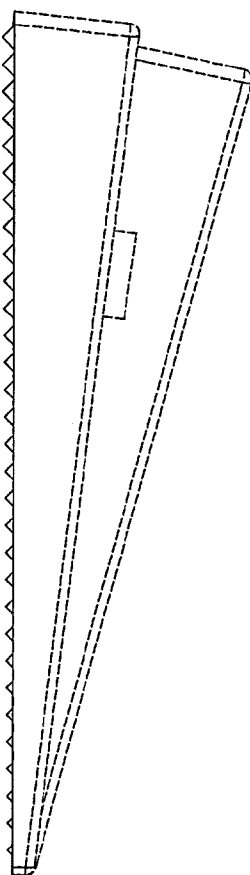


FIG. 2

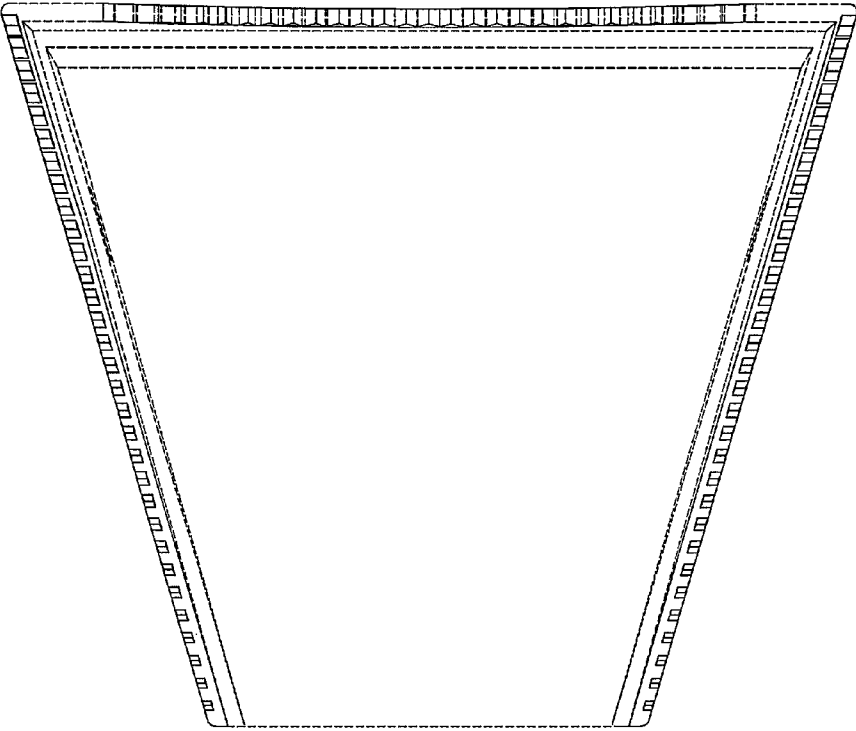


FIG. 3

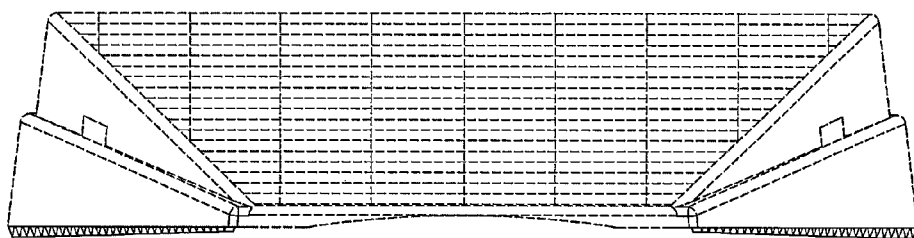


FIG. 4

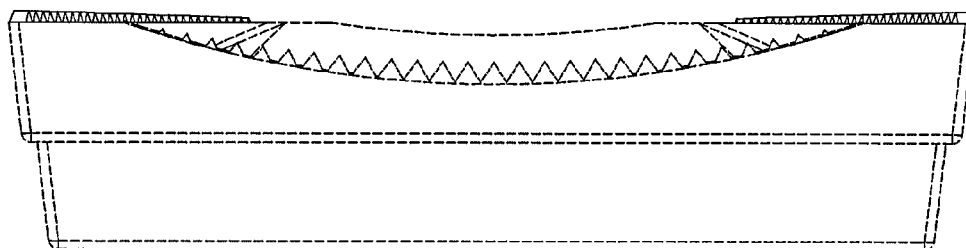


FIG. 5

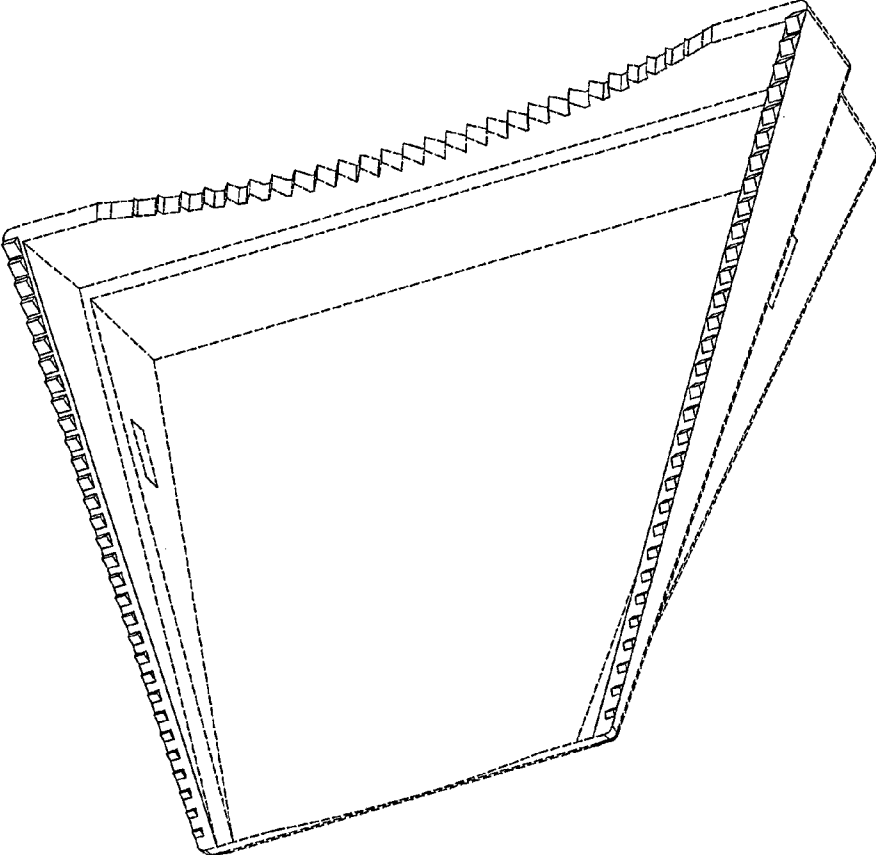


FIG. 6