



US00D787463S

(12) **United States Design Patent** (10) **Patent No.:** **US D787,463 S**
Maxwell et al. (45) **Date of Patent:** **** May 23, 2017**

(54) **MAIN PROCESSING UNIT OF A VIDEO COMMUNICATION SET**

(71) Applicant: **SORENSEN IP HOLDINGS LLC**,
Salt Lake City, UT (US)

(72) Inventors: **Conrad Arlo Maxwell**, Herriman, UT (US); **Eric V. Winsor**, West Jordan, UT (US); **Mark D. Nelson**, West Jordan, UT (US); **Merle L. Walker**, Sandy, UT (US); **Brent C. Giles**, Salt Lake City, UT (US); **Elie Monge**, San Francisco, CA (US); **Sean Patrick Murphy**, San Francisco, CA (US); **Shannon Fong**, San Francisco, CA (US); **Alice Viola Pintus**, Milan (IT); **Thomas Mitchell Dair**, Lafayette, CA (US)

(73) Assignee: **SORENSEN IP HOLDINGS LLC**,
Salt Lake City, UT (US)

(**) Term: **15 Years**

(21) Appl. No.: **29/591,846**

(22) Filed: **Jan. 24, 2017**

Related U.S. Application Data

(62) Division of application No. 29/565,057, filed on May 17, 2016, now Pat. No. Des. 783,075, which is a
(Continued)

(51) **LOC (10) Cl.** **14-03**

(52) **U.S. Cl.**
USPC **D14/130**

(58) **Field of Classification Search**
USPC ... D14/125, 126, 129, 130, 140, 140.2, 142, D14/144, 145, 148, 149, 151, 240, 248,
(Continued)

(56) **References Cited**

U.S. PATENT DOCUMENTS

D417,672 S * 12/1999 Laufer D13/152
D421,619 S 3/2000 Eto et al.
(Continued)

Primary Examiner — Susan Bennett Hattan

Assistant Examiner — Marie Fast Horse

(74) *Attorney, Agent, or Firm* — TraskBritt

(57) **CLAIM**

The ornamental design for a main processing unit of a video communication set, substantially as shown and described.

DESCRIPTION

FIG. 1 is a perspective view of a main processing unit (hereinafter “MPU”) of a video communication set showing our new design.

FIG. 2 is a top view of the MPU of the video communication set of FIG. 1.

FIG. 3 is a bottom view of the MPU of the video communication set of FIG. 1.

FIG. 4 is a right side view of the MPU of the video communication set of FIG. 1.

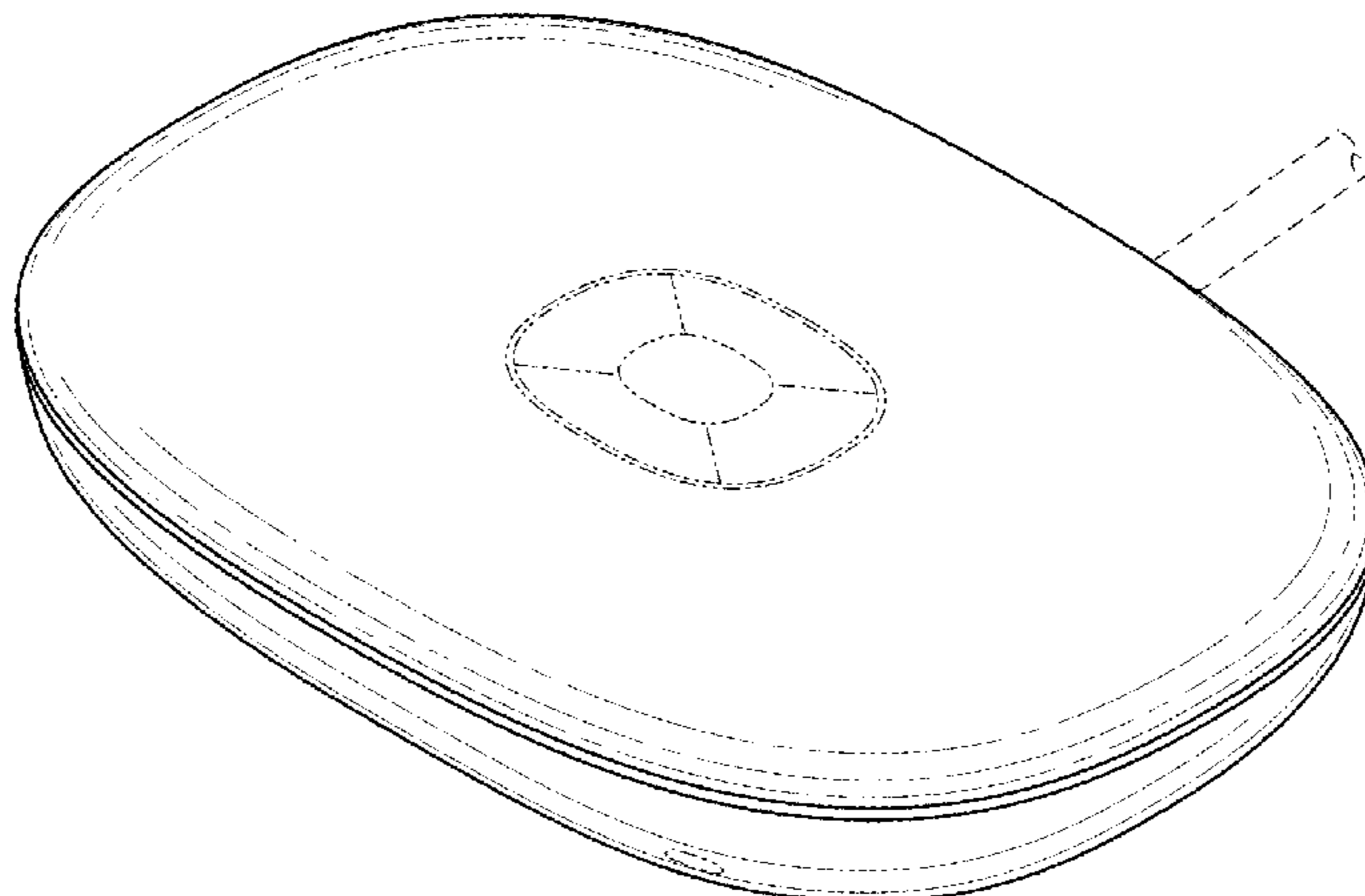
FIG. 5 is a left side view of the MPU of the video communication set of FIG. 1.

FIG. 6 is a front view of the MPU of the video communication set of FIG. 1; and,

FIG. 7 is a back view of the MPU of the video communication set of FIG. 1.

The broken lines in the drawings consisting of large uniform dashes depict environment only and form no part of the claimed design; the broken lines consisting of a long dash

(Continued)



and two short dashes depict portions of the main processing unit of a video communication set that form no part of the claim.

1 Claim, 3 Drawing Sheets

Related U.S. Application Data

division of application No. 29/518,645, filed on Feb. 25, 2015, now Pat. No. Des. 759,621.

(58) **Field of Classification Search**

USPC D14/300, 301, 314, 341, 356–358, 362, D14/365, 383–388, 467, 502; D24/127, D24/128, 158, 160, 161, 185, 186; D16/202, 203, 208, 241, 242; D13/107, D13/108
 CPC H04M 1/274525; H04M 1/27455; H04M 1/02; H04M 1/0202; H04M 1/0264; H04M 1/0266; H04M 1/0295; H04M 1/72527; H04M 2201/50; H04M 2250/20; H04N 1/00106; H04N 1/00302; H04N 1/00305; H04N 1/00307; H04N 2007/145; H04N 5/2253; H04N 7/14; H04N 7/142

See application file for complete search history.

(56) **References Cited**

U.S. PATENT DOCUMENTS

D487,262 S 3/2004 van Engelen et al.
 D514,147 S * 1/2006 Sarasjoki D16/130
 D534,509 S 1/2007 Rashid
 D548,763 S 8/2007 Boris
 D552,053 S 10/2007 Kim
 D576,581 S 9/2008 Son et al.
 D585,395 S 1/2009 Cho et al.
 D595,736 S 7/2009 Son et al.
 D600,730 S 9/2009 Su
 D611,408 S 3/2010 Ferber et al.
 7,736,071 B2 6/2010 Wahl et al.
 D620,514 S 7/2010 Kim et al.
 D626,099 S 10/2010 Huang
 D627,813 S 11/2010 Chen et al.
 D627,815 S 11/2010 Oba
 D628,573 S * 12/2010 Wang D14/356
 D629,031 S 12/2010 Su et al.
 D630,505 S 1/2011 Westemeyer et al.
 D631,079 S 1/2011 Tzeng
 D631,497 S 1/2011 Han et al.
 D632,719 S 2/2011 Tsai

D635,940 S 4/2011 Cho et al.
 D636,371 S 4/2011 Spielvogel et al.
 D637,951 S 5/2011 Perez
 D638,426 S 5/2011 Ikeda et al.
 D640,692 S 6/2011 Waisman-Diamond
 D641,388 S 7/2011 Shih et al.
 D641,770 S 7/2011 Hoehn et al.
 D644,222 S 8/2011 Woo et al.
 D645,466 S 9/2011 Woo et al.
 D647,866 S 11/2011 Chen
 D647,896 S * 11/2011 Chen D14/314
 D649,945 S 12/2011 Kim et al.
 D649,946 S 12/2011 Do et al.
 D651,229 S 12/2011 Tan et al.
 D651,230 S 12/2011 Tan et al.
 D655,263 S 3/2012 Tsai
 D659,690 S 5/2012 Huang
 D662,532 S 6/2012 Chang
 D664,579 S 7/2012 Tzeng
 D665,347 S 8/2012 Chen
 D665,439 S 8/2012 Khamsepoor et al.
 D671,157 S 11/2012 Richardson et al.
 D675,602 S 2/2013 Ikeda et al.
 D675,660 S 2/2013 Su
 D676,005 S 2/2013 Wood et al.
 D680,569 S 4/2013 Lee et al.
 D685,355 S 7/2013 Holleman et al.
 8,475,059 B2 7/2013 Khamsepoor et al.
 D687,817 S 8/2013 Petersen et al.
 D688,725 S 8/2013 Tsai
 D694,205 S 11/2013 Lim et al.
 8,593,567 B2 11/2013 Xiao
 D695,281 S 12/2013 Petersen et al.
 D707,667 S * 6/2014 Kono D14/240
 D708,249 S 7/2014 Kim et al.
 D709,117 S 7/2014 Gan et al.
 D709,506 S 7/2014 Lee
 D712,951 S 9/2014 Chou et al.
 D719,153 S 12/2014 Lim et al.
 D719,939 S * 12/2014 Liang D14/240
 D722,941 S 2/2015 Oh
 D725,171 S 3/2015 Mita
 D740,262 S 10/2015 Hasegawa et al.
 D745,010 S 12/2015 Kim
 D745,586 S 12/2015 Chou et al.
 9,217,911 B1 12/2015 Von Winsor et al.
 D747,386 S 1/2016 Li
 D750,681 S 3/2016 Takami
 D752,531 S 3/2016 Xu et al.
 D754,751 S * 4/2016 Kusano D14/203.3
 D756,991 S 5/2016 Day et al.
 D759,621 S 6/2016 Maxwell et al.
 D768,587 S 10/2016 Xu et al.
 2003/0227563 A1 12/2003 Ting
 2011/0243547 A1 10/2011 Khamsepoor et al.
 2011/0243548 A1 10/2011 Khamsepoor et al.

* cited by examiner

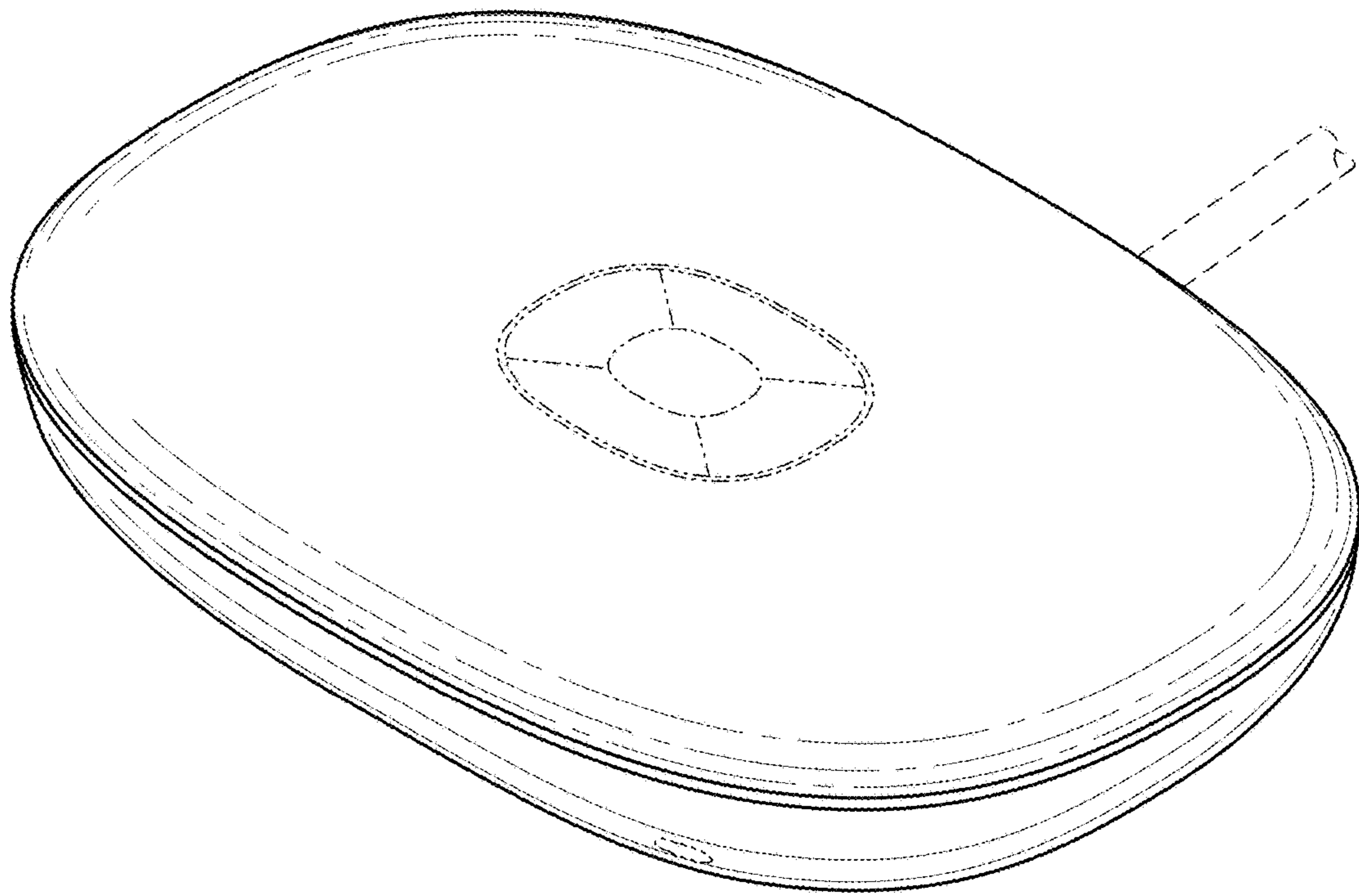


FIG. 1

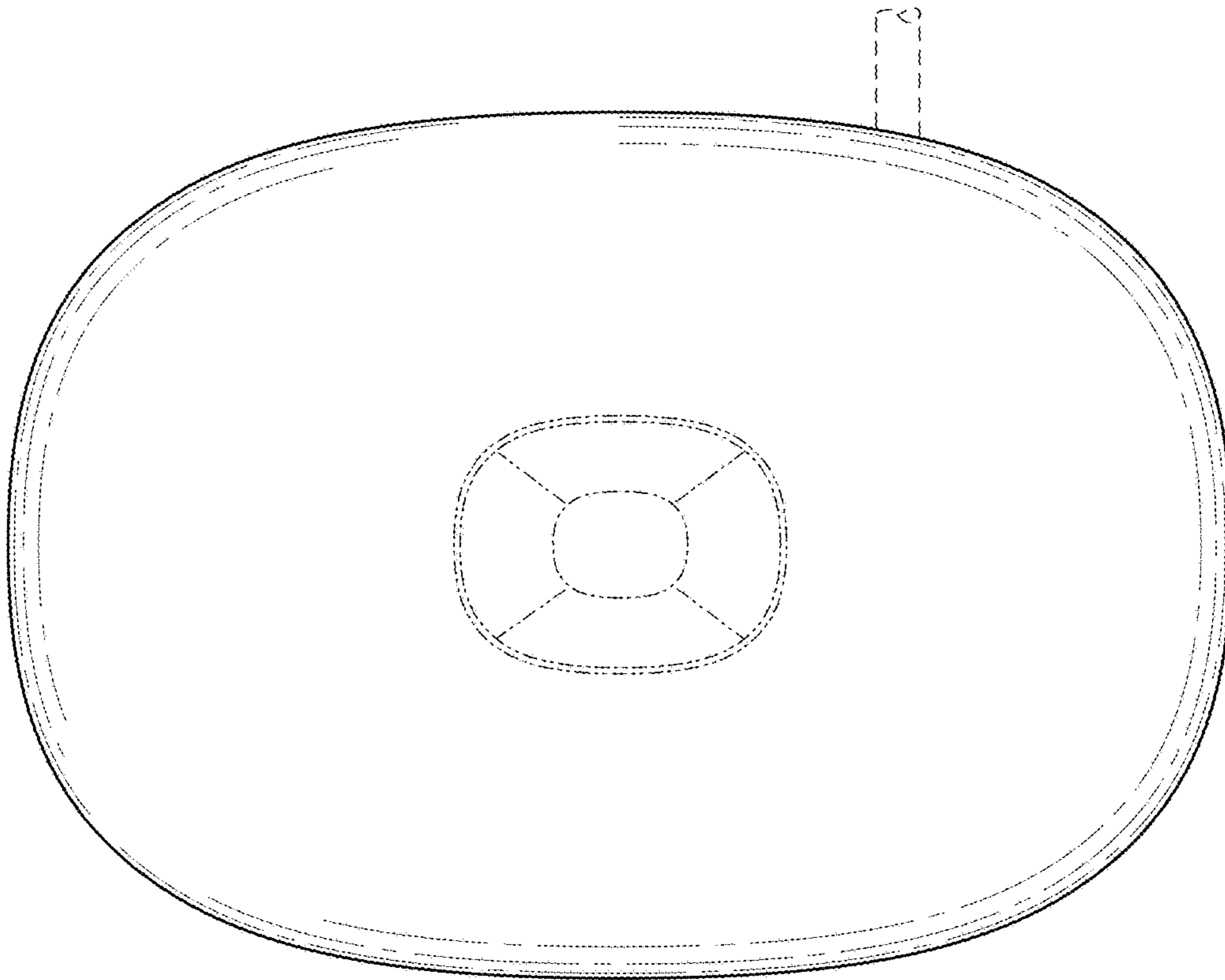


FIG. 2

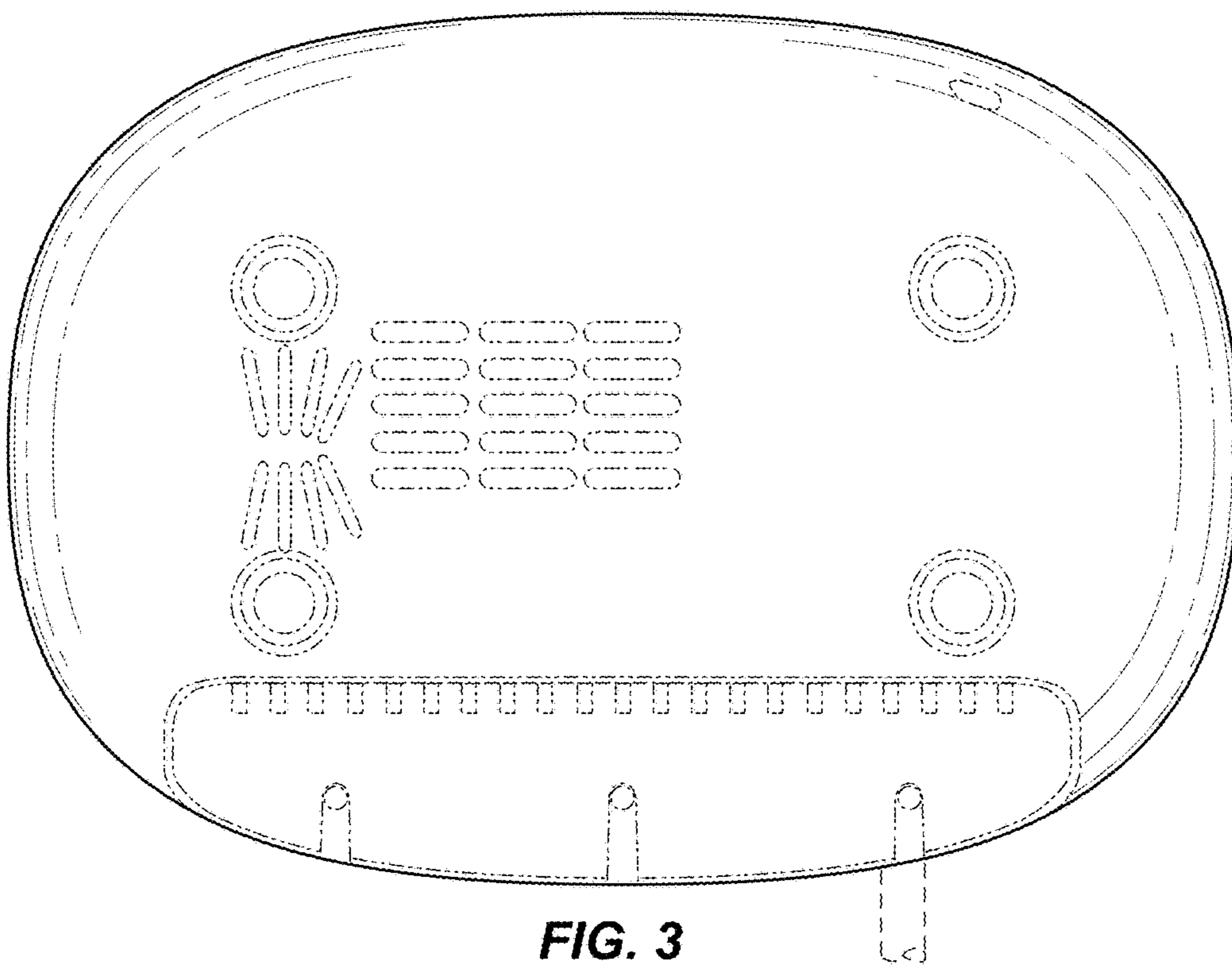


FIG. 3

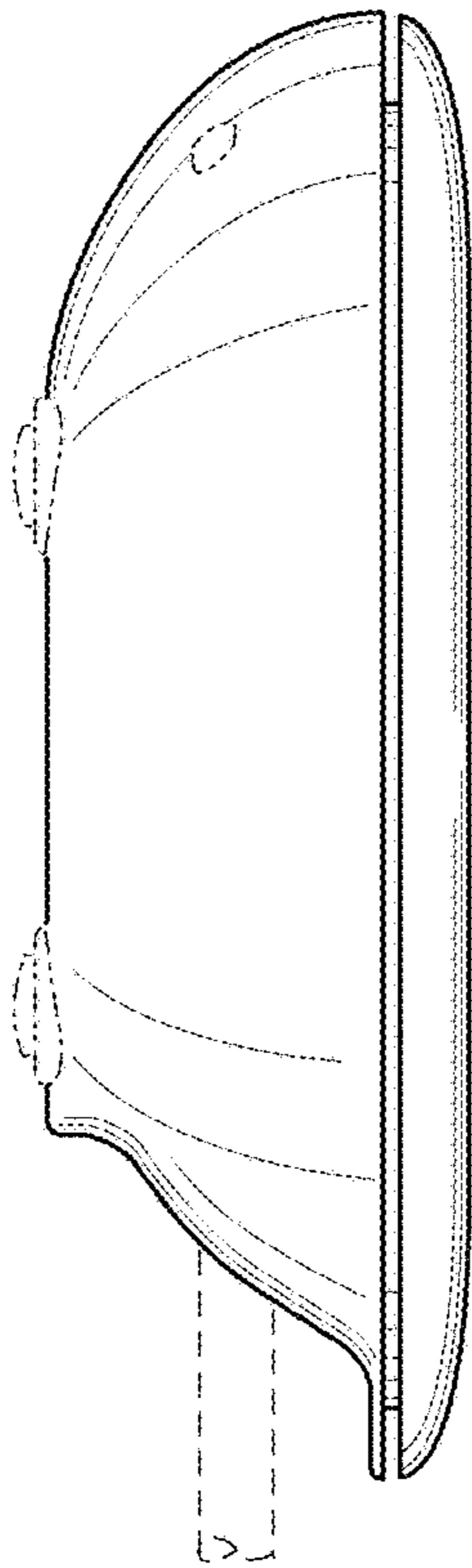


FIG. 4

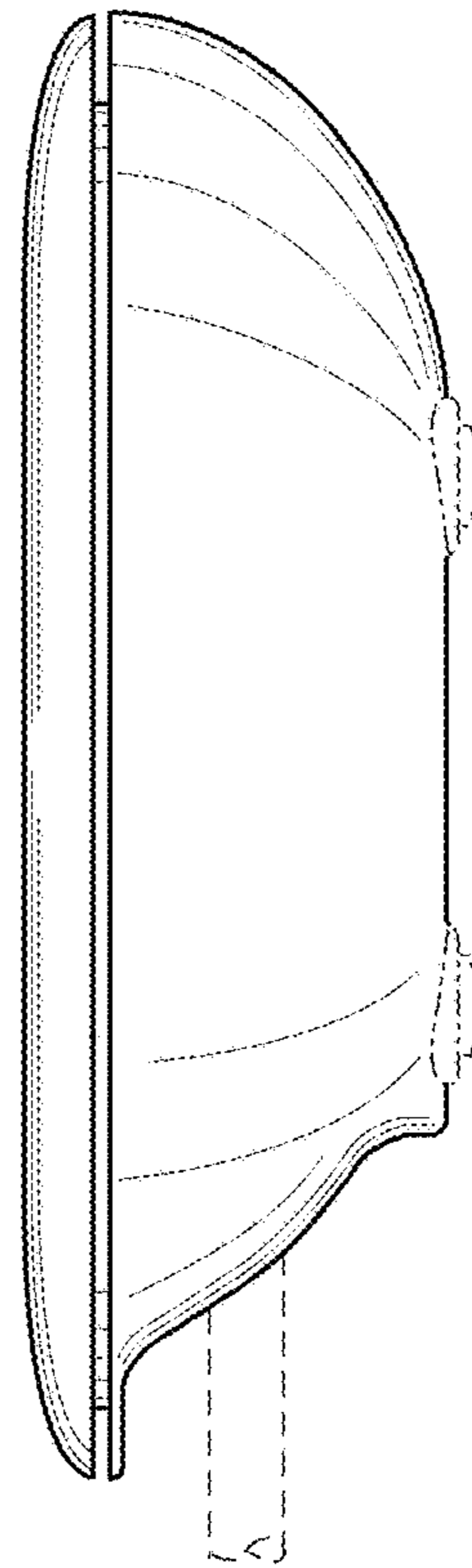


FIG. 5

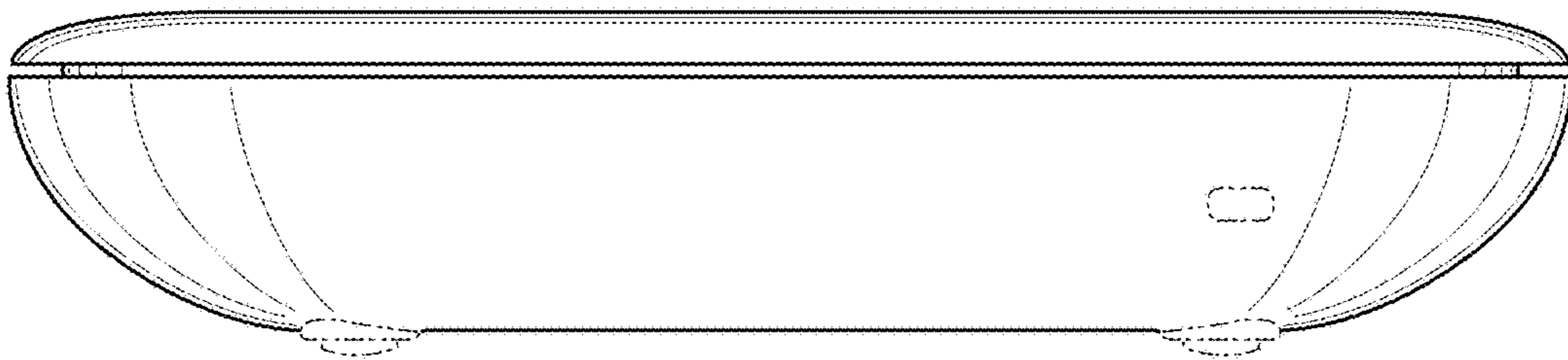


FIG. 6

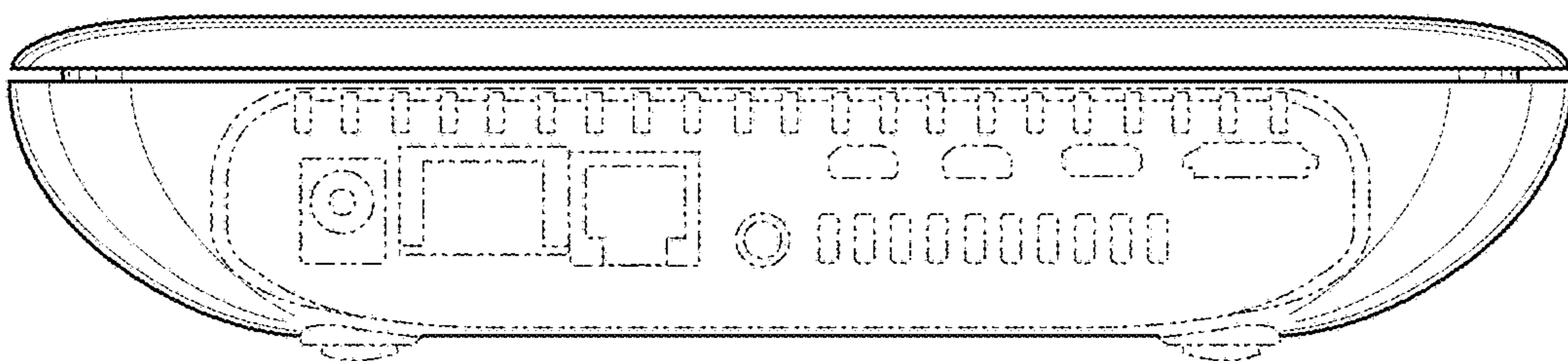


FIG. 7