



- (51) International Patent Classification:
E21B 34/12 (2006.01) E21B 33/128 (2006.01)
E21B 19/16 (2006.01)
- (21) International Application Number:
PCT/US2012/040226
- (22) International Filing Date:
31 May 2012 (31.05.2012)
- (25) Filing Language: English
- (26) Publication Language: English
- (30) Priority Data:
13/151,897 2 June 2011 (02.06.2011) US
- (71) Applicant (for all designated States except US): **BAKER HUGHES INCORPORATED** [US/US]; Po Box 4740, Houston, TX 77210-4740 (US).
- (72) Inventors; and
- (75) Inventors/Applicants (for US only): **BURRIS, John, E.** [US/US]; 108 West Lincoln Avenue, Sapulpa, OK 74066 (US). **THOMPSON, Grant, R.** [US/US]; 7905 South 77th East Avenue, Tulsa, OK 74133 (US). **ANDERSON, David, Z.** [US/US]; 2540 East 14th Street, Tulsa, OK 74104 (US). **SLOAN, James, T.** [US/US]; 16417 East 47th Street, Tulsa, OK 74134 (US). **PEOPLES, Brock, Alan** [US/US]; 3409 West 110th Street South, Sapulpa, OK 74066 (US). **LOWRY, Doug, A.** [US/US]; 4409 West Madison Street, Broken Arrow, OK 74012 (US). **COGHILL, Anthony, S.** [US/US]; 3017 East 2nd Street, Tulsa, OK 74104 (US).

(81) Designated States (unless otherwise indicated, for every kind of national protection available): AE, AG, AL, AM, AO, AT, AU, AZ, BA, BB, BG, BH, BR, BW, BY, BZ, CA, CH, CL, CN, CO, CR, CU, CZ, DE, DK, DM, DO, DZ, EC, EE, EG, ES, FI, GB, GD, GE, GH, GM, GT, HN, HR, HU, ID, IL, IN, IS, JP, KE, KG, KM, KN, KP, KR, KZ, LA, LC, LK, LR, LS, LT, LU, LY, MA, MD, ME, MG, MK, MN, MW, MX, MY, MZ, NA, NG, NI, NO, NZ, OM, PE, PG, PH, PL, PT, QA, RO, RS, RU, RW, SC, SD, SE, SG, SK, SL, SM, ST, SV, SY, TH, TJ, TM, TN, TR, TT, TZ, UA, UG, US, UZ, VC, VN, ZA, ZM, ZW.

(84) Designated States (unless otherwise indicated, for every kind of regional protection available): ARIPO (BW, GH, GM, KE, LR, LS, MW, MZ, NA, RW, SD, SL, SZ, TZ, UG, ZM, ZW), Eurasian (AM, AZ, BY, KG, KZ, RU, TJ, TM), European (AL, AT, BE, BG, CH, CY, CZ, DE, DK, EE, ES, FI, FR, GB, GR, HR, HU, IE, IS, IT, LT, LU, LV, MC, MK, MT, NL, NO, PL, PT, RO, RS, SE, SI, SK, SM, TR), OAPI (BF, BJ, CF, CG, CI, CM, GA, GN, GQ, GW, ML, MR, NE, SN, TD, TG).

Declarations under Rule 4.17:

- as to applicant's entitlement to apply for and be granted a patent (Rule 4.17(ii))
- as to the applicant's entitlement to claim the priority of the earlier application (Rule 4.17(iii))

Published:

- with international search report (Art. 21(3))

[Continued on next page]

(54) Title: METHOD OF REDUCING DEFLECTION THROUGH A ROD PISTON IN A SUBSURFACE SAFETY VALVE

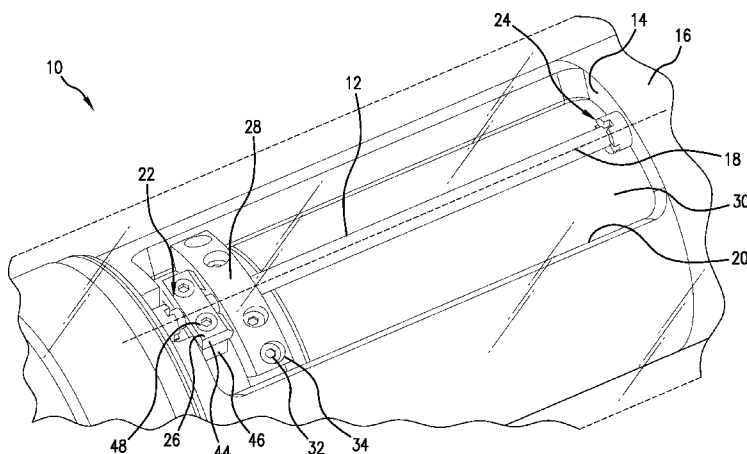


FIG. 1

(57) Abstract: An actuation assembly including a sleeve member having a radially outwardly extending projection and a piston having an axis, the piston operatively coupled to the projection of the sleeve member and arranged to exert an actuation force on the projection of the sleeve member for actuating the sleeve member, the actuation force positioned about radially aligned with the axis or radially outwardly from the axis.



(88) Date of publication of the international search report:
4 April 2013

INTERNATIONAL SEARCH REPORT

International application No.
PCT/US2012/040226**A. CLASSIFICATION OF SUBJECT MATTER*****E21B 34/12(2006.01)i, E21B 19/16(2006.01)i, E21B 33/128(2006.01)i***

According to International Patent Classification (IPC) or to both national classification and IPC

B. FIELDS SEARCHED

Minimum documentation searched (classification system followed by classification symbols)

E21B 34/12; E21B 43/12; E21B 34/06; E21B 34/00; E21B 34/10

Documentation searched other than minimum documentation to the extent that such documents are included in the fields searched

Korean utility models and applications for utility models

Japanese utility models and applications for utility models

Electronic data base consulted during the international search (name of data base and, where practicable, search terms used)

eKOMPASS(KIPO internal) & Keywords: piston, acuator, sleeve, projection

C. DOCUMENTS CONSIDERED TO BE RELEVANT

Category*	Citation of document, with indication, where appropriate, of the relevant passages	Relevant to claim No.
X A	US 2010-0206579 A1 (GUVEN, OGUZHAN et al.) 19 August 2010 See paragraphs [0026], [0029], [0030], and figure 2.	1, 2, 13, 15, 16 3-12, 14, 17-20
A	WO 2005-008024 A1 (BAKER, HUGHES INCORPORATED) 27 January 2005 See abstract, paragraph [0005], and figure 1.	1-20
A	US 2008-0110611 A1 (BANE, DARREN E. et al.) 15 May 2008 See abstract, paragraphs [0009], [0012], and figure 1.	1-20
A	US 2009-0159290 A1 (LAUDERDALE, DONALD P.) 25 June 2009 See abstract, paragraph [0028], and figure 6.	1-20

 Further documents are listed in the continuation of Box C. See patent family annex.

* Special categories of cited documents:

"A" document defining the general state of the art which is not considered to be of particular relevance

"E" earlier application or patent but published on or after the international filing date

"L" document which may throw doubts on priority claim(s) or which is cited to establish the publication date of citation or other special reason (as specified)

"O" document referring to an oral disclosure, use, exhibition or other means

"P" document published prior to the international filing date but later than the priority date claimed

"T" later document published after the international filing date or priority date and not in conflict with the application but cited to understand the principle or theory underlying the invention

"X" document of particular relevance; the claimed invention cannot be considered novel or cannot be considered to involve an inventive step when the document is taken alone

"Y" document of particular relevance; the claimed invention cannot be considered to involve an inventive step when the document is combined with one or more other such documents, such combination being obvious to a person skilled in the art

"&" document member of the same patent family

Date of the actual completion of the international search

14 JANUARY 2013 (14.01.2013)

Date of mailing of the international search report

17 JANUARY 2013 (17.01.2013)

Name and mailing address of the ISA/KR

Korean Intellectual Property Office
189 Cheongsa-ro, Seo-gu, Daejeon Metropolitan
City, 302-701, Republic of Korea

Facsimile No. 82-42-472-7140

Authorized officer

Park Sang Hyun

Telephone No. 82-42-481-5434



INTERNATIONAL SEARCH REPORT

Information on patent family members

International application No.

PCT/US2012/040226

Patent document cited in search report	Publication date	Patent family member(s)	Publication date
US 2010-0206579 A1	19.08.2010	EP 2398998 A1 US 8256518 B2 WO 2010-096361 A1	28.12.2011 04.09.2012 26.08.2010
WO 2005-008024 A1	27.01.2005	None	
US 2008-0110611 A1	15.05.2008	AU 2007-319498 A1 CN 101646839 A EP 2079899 A2 GB 0907406 D0 GB 2456443 A GB 2456443 B NO 20091863 A RU 2408776 C1 US 7591317 B2 WO 2008-060892 A2 WO 2008-060892 A3 WO 2008-060892 A3	22.05.2008 10.02.2010 22.07.2009 10.06.2009 22.07.2009 09.03.2011 29.07.2009 10.01.2011 22.09.2009 22.05.2008 10.07.2008 22.05.2008
US 2009-0159290 A1	25.06.2009	AU 2008-343452 A1 AU 2008-343452 A1 EP 2240666 A2 US 8186439 B2 WO 2009-085603 A2 WO 2009-085603 A3 WO 2009-085603 A3	09.07.2009 09.07.2009 20.10.2010 29.05.2012 09.07.2009 17.11.2011 09.07.2009