



US0D1024356S

(12) **United States Design Patent**
Wang

(10) **Patent No.:** **US D1,024,356 S**

(45) **Date of Patent:** **** Apr. 23, 2024**

(54) **DOG FENCE**

FOREIGN PATENT DOCUMENTS

(71) Applicant: **Taizhou Haocheng leather goods Co., Ltd**, Taizhou (CN)

CN 307565250 * 9/2022
JP D1085452 * 9/2000

(72) Inventor: **Dan Wang**, Taizhou (CN)

OTHER PUBLICATIONS

(**) Term: **15 Years**

Amazon.com Acsercar Garden Fencing Border Edging <https://www.amazon.com/Fence-Barrier-30%C3%978-inch-Underground-Decorative/dp/B0B28CMQ84> Available May 25, 2022 (Year: 2022).
Dig defence instructions.indd chrome-extension://efaidnbmn-nibpcajpcglclefindmkaj/<https://images.thdstatic.com/catalog/pdfImages/9b/9b984c9d-9a64-4805-93fd-65fc87fb0c34.pdf> Nov. 20, 2020 (Year: 2020).*

(21) Appl. No.: **29/841,685**

(22) Filed: **Jun. 8, 2022**

(51) **LOC (14) Cl.** **25-02**

(52) **U.S. Cl.**
USPC **D25/38.1**

(58) **Field of Classification Search**

USPC D25/38.1, 39, 42, 43, 44, 45
CPC ... E04H 17/05; E04H 17/006; E04H 17/1417;
E04H 17/1439; E04H 17/1447; E04H
17/1448; E04H 17/1478

See application file for complete search history.

“GRELWT 25 Pack 32x10 Animal Barrier Fence, Underground Pet Dog Fence, 5.5mm Galvanized Steel Ground Stakes with 2.1 inch Spike Spacing for Outdoor Garden Yard Patio” (Amazon.com) Published Jan. 14, 2022. Obtained from the Internet URL :<<https://www.amazon.com/dp/B09HQSVBMJ>>.

(Continued)

Primary Examiner — Leanne Was-Englehart

(74) *Attorney, Agent, or Firm* — Hawaii Patent Services;
Nathaniel K. Fedde; Kenton N. Fedde

(56) **References Cited**

U.S. PATENT DOCUMENTS

D35,919 S * 5/1902 Shelton D25/45
799,510 A * 9/1905 Williams E04B 9/127
52/690
D37,743 S * 12/1905 Ward 256/72
917,617 A * 4/1909 Lachman E04H 17/05
219/94
D39,998 S * 5/1909 Lachman et al. D25/38.1
D47,111 S * 3/1915 Lachman D25/42
D94,852 S * 3/1935 Porter D25/45
D651,721 S * 1/2012 Richmond D25/42
8,413,332 B2 * 4/2013 Duffy E04H 17/1417
29/897.31
D738,535 S * 9/2015 Bucarizza D25/38.1
D848,028 S * 5/2019 Lawson D25/42
2003/0155565 A1 * 8/2003 Cantley E04H 17/1439
256/19
2011/0042637 A1 * 2/2011 Howard E04H 17/1439
256/65.01

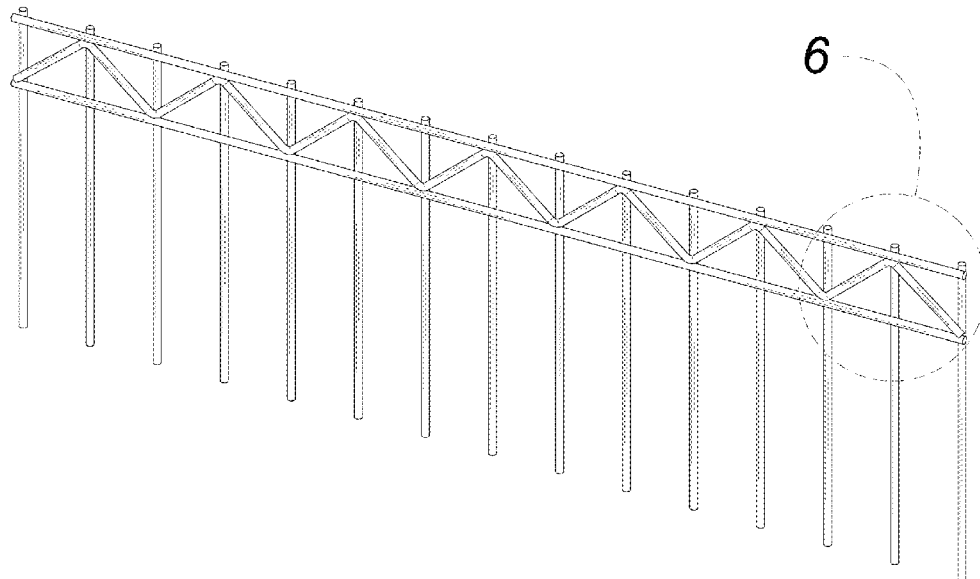
(57) **CLAIM**

The ornamental design for a dog fence, as shown and described.

DESCRIPTION

FIG. 1 is a perspective view of a dog fence showing my new design;
FIG. 2 is a front elevational view thereof;
FIG. 3 is a rear elevational view thereof;
FIG. 4 is a left elevational view thereof, the right side view being a mirror image of FIG. 4;
FIG. 5 is a top side view thereof, the bottom plan view being a mirror image of FIG. 5; and,
FIG. 6 is a partial enlarged view of FIG. 1.

1 Claim, 5 Drawing Sheets



(56)

References Cited

OTHER PUBLICATIONS

"GRELWT Amazon Seller Profile" (Amazon.com) Obtained from the Internet URL: <https://www.amazon.com/sp?ie=UTF8&seller=A3NM857ZJHXUVB&asin=B09HQSVBMJ&ref_=dp_merchant_link&isAmazonFulfilled=>>. Publication Date Unkonwn.

* cited by examiner

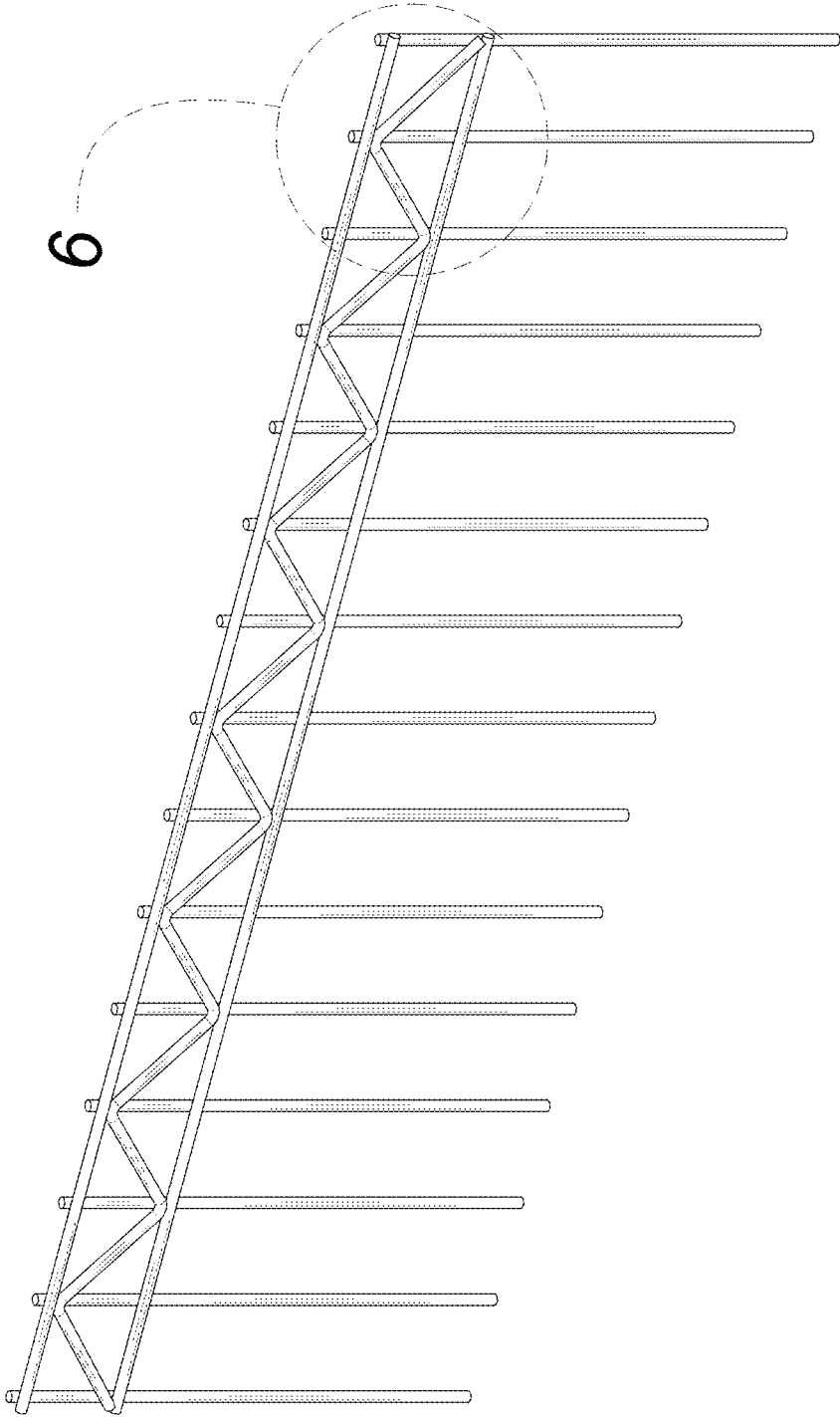


FIG. 1

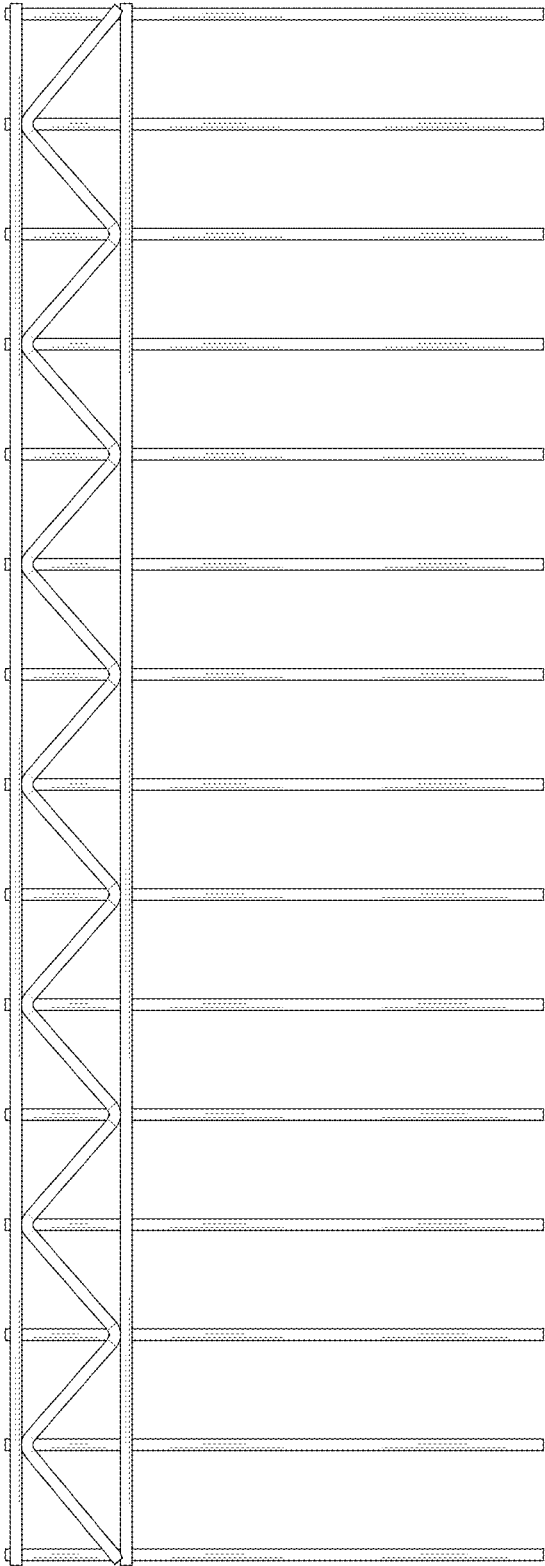


FIG. 2

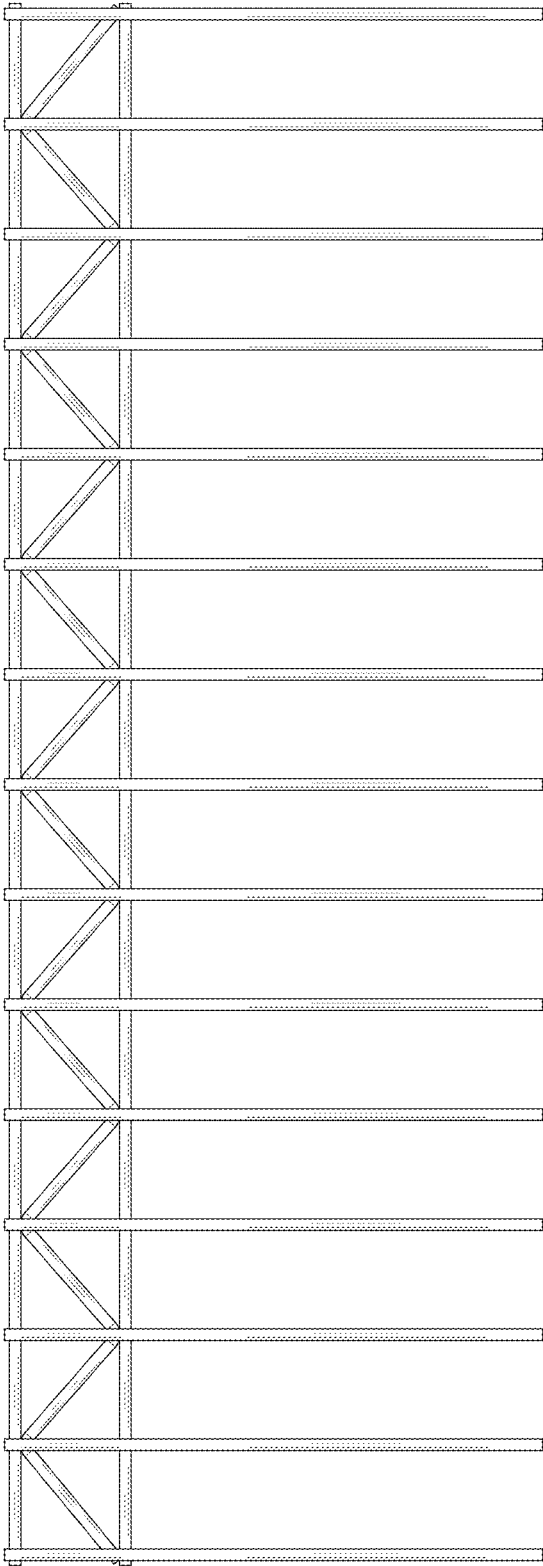


FIG. 3



FIG. 4

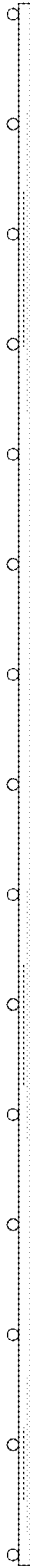


FIG. 5

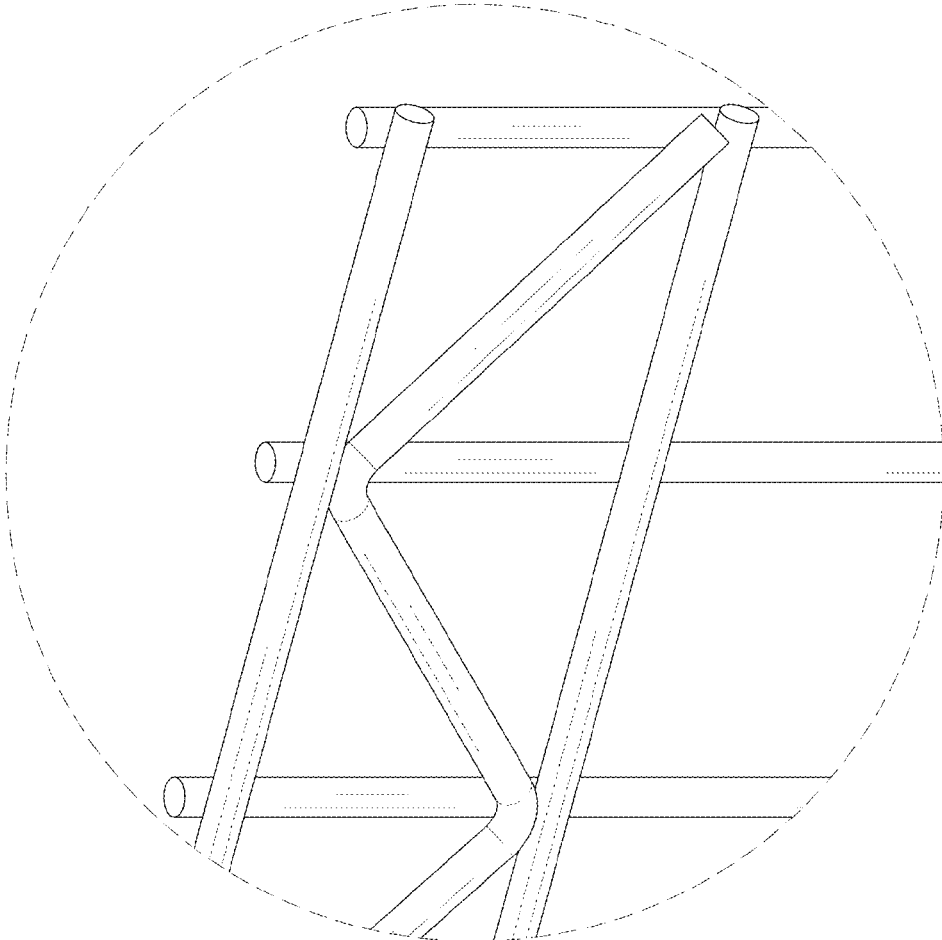


FIG. 6