

- [54] **BOX**
- [75] **Inventor:** Darrell D. Fish, Timonium, Md.
- [73] **Assignee:** Universal Security Instruments, Inc.,  
Owings Mills, Md.
- [\*\*] **Term:** 14 Years
- [21] **Appl. No.:** 945,556
- [22] **Filed:** Sep. 25, 1978
- [51] **Int. Cl.** ..... D9-03
- [52] **U.S. Cl.** ..... D9/196
- [58] **Field of Search** ..... 229/8; D9/25, 196, 229

D. 214,262	5/1969	Paige .....	D9/196
2,665,522	1/1954	Junod .....	D9/196 X
3,261,619	7/1966	Norqaard, Jr. et al. ....	229/8 X
4,055,250	10/1977	Mayhew .....	229/8 X

*Primary Examiner*—Robert C. Spangler  
*Attorney, Agent, or Firm*—Howard L. Rose

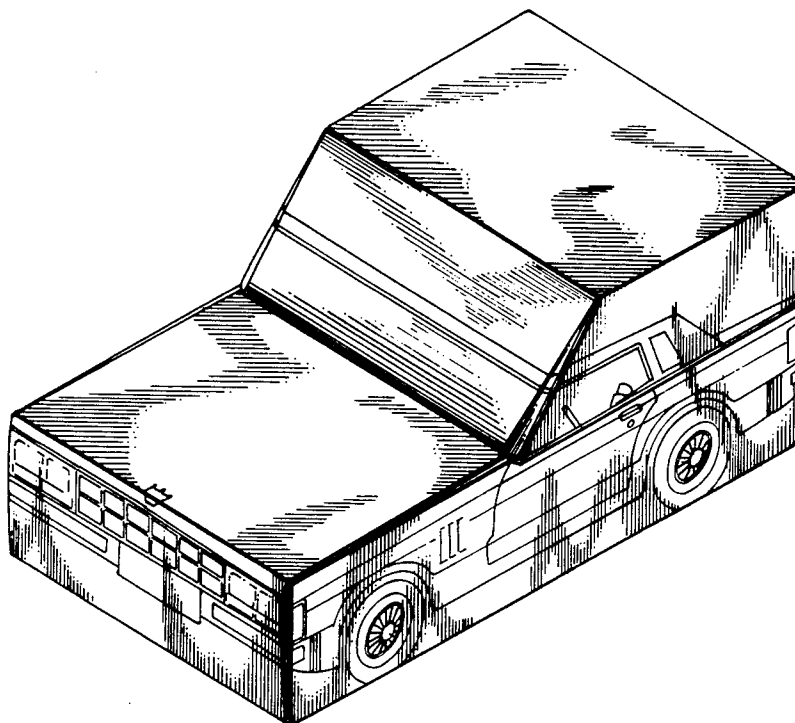
[57] **CLAIM**

The ornamental design for a box, substantially as shown.

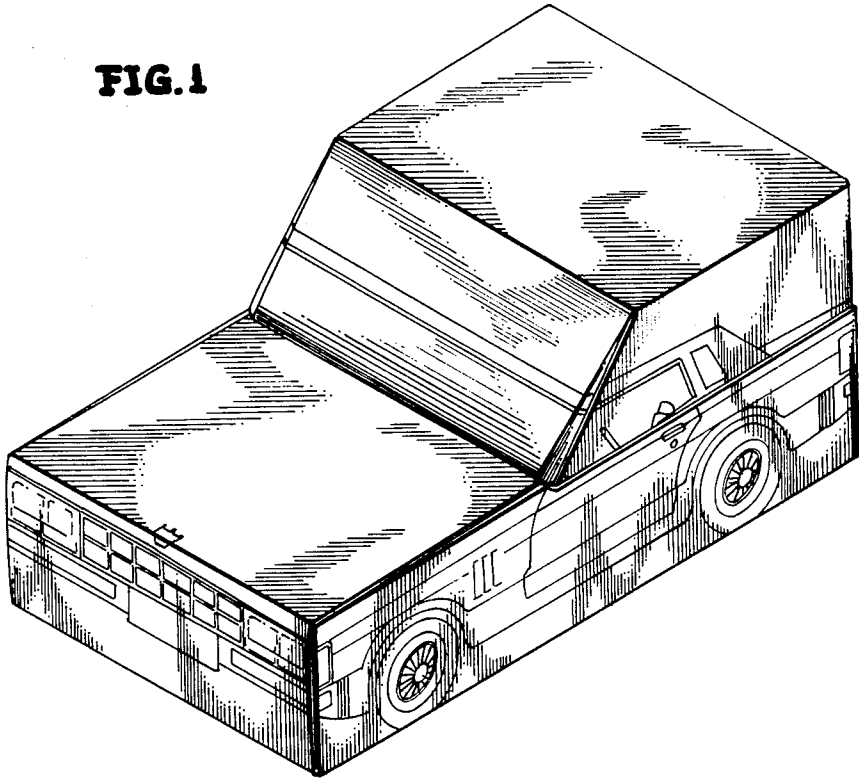
**DESCRIPTION**

FIG. 1 is a front perspective view of a box showing my new design;  
 FIG. 2 is a rear perspective view;  
 FIG. 3 is a top plan view;  
 FIG. 4 is a side elevational view;  
 FIG. 5 is a front elevational view; and  
 FIG. 6 is a rear elevational view thereof.

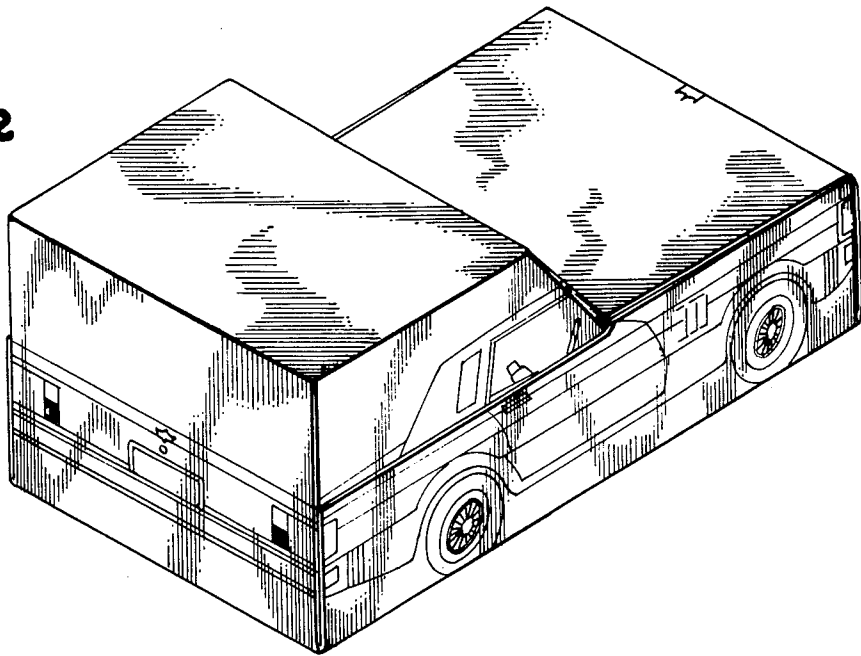
- [56] **References Cited**
- U.S. PATENT DOCUMENTS
- D. 201,462 6/1965 Klein ..... D9/196



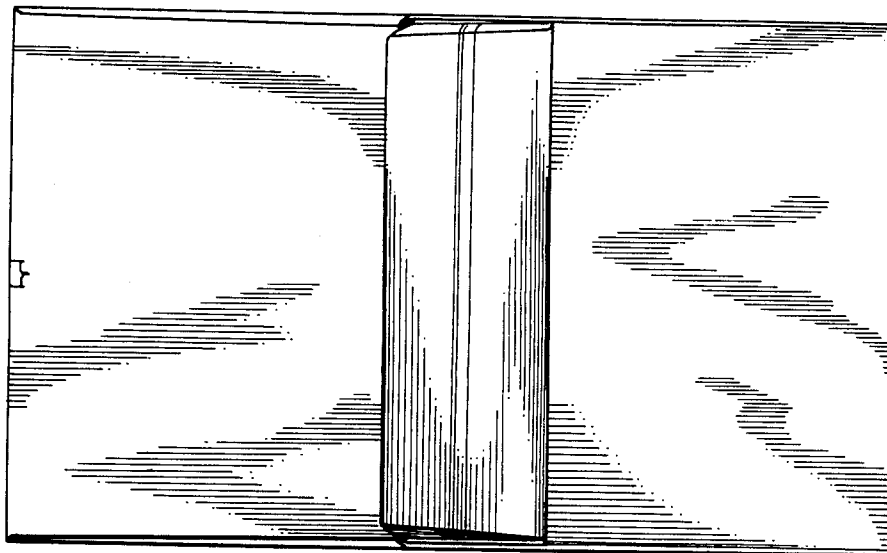
**FIG. 1**



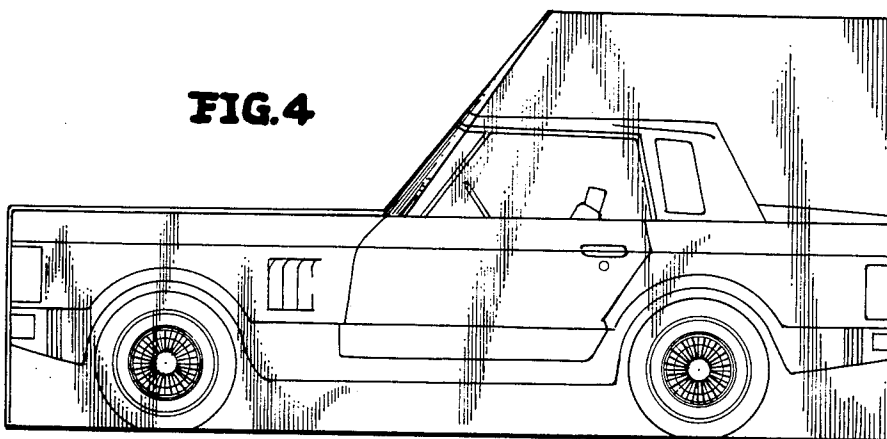
**FIG. 2**



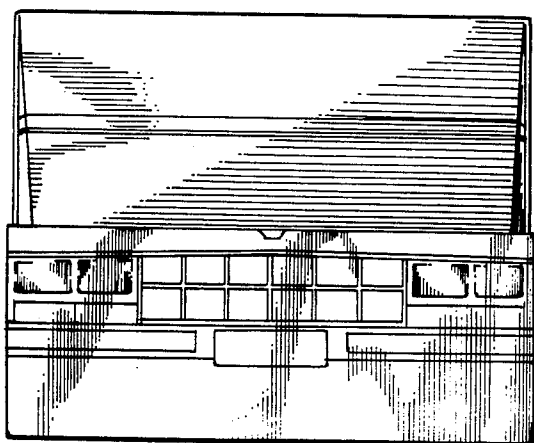
**FIG. 3**



**FIG. 4**



**FIG. 5**



**FIG. 6**

