



US0D1029656S

(12) **United States Design Patent**
Yasuda et al.

(10) **Patent No.:** **US D1,029,656 S**

(45) **Date of Patent:** **** Jun. 4, 2024**

(54) **BELTED COVER FOR ELECTRONIC DEVICE**

(71) Applicant: **BANDAI CO., LTD.**, Tokyo (JP)

(72) Inventors: **Erika Yasuda**, Tokyo (JP); **Yuri Okamoto**, Tokyo (JP); **Tadanori Kanemura**, Tokyo (JP); **Megumi Shiina**, Tokyo (JP)

(73) Assignee: **BANDAI CO., LTD.**, Tokyo (JP)

(**) Term: **15 Years**

(21) Appl. No.: **29/816,625**

(22) Filed: **Nov. 23, 2021**

(30) **Foreign Application Priority Data**

May 28, 2021 (JP) 2021-011479 D

(51) **LOC (14) Cl.** **10-07**

(52) **U.S. Cl.**
USPC **D10/30**

(58) **Field of Classification Search**
USPC D10/132, 128, 38, 39, 30, 31, 32, 123;
D14/440, 344, 507, 203.5; D24/167, 186;
D11/1, 2, 3, 94, 87
CPC .. A44C 5/00; A44C 5/14; A44C 5/147; A44C
5/16; A44C 5/2052; A44C 5/2066; A44C
5/2085; A44C 5/22; A44C 5/24; A44C
5/243; A44C 5/246; G04B 37/00; G04B
37/0008; G04B 37/005; G04B 37/22;
G04B 37/225; G04G 21/08; G04G 17/08;
G04G 21/00; G04G 17/00; G04G 21/025;
G04C 17/0091

See application file for complete search history.

(56) **References Cited**

U.S. PATENT DOCUMENTS

D394,403 S * 5/1998 Hanagata D10/38
D440,885 S * 4/2001 Streltsov D10/38

D471,469 S * 3/2003 Vanderbeek D10/30
D482,340 S * 11/2003 Cianfanelli D14/138
D493,372 S * 7/2004 Houlihan D10/38
D504,331 S * 4/2005 Goto D10/38
D538,687 S * 3/2007 Komulainen D10/70
D586,674 S * 2/2009 Solarewicz D10/70
D624,441 S * 9/2010 Jarvis D10/38
D626,018 S * 10/2010 Yan D10/38
D661,206 S * 6/2012 Register D10/38

(Continued)

FOREIGN PATENT DOCUMENTS

CN 301981522 * 7/2012
CN 302009048 * 7/2012

(Continued)

OTHER PUBLICATIONS

Tamagotchi Smart, Amazon.com, First photo date review: Jun. 20, 2022, [site visited: Feb. 22, 2024], Available from URL: <https://a.co/d/d9OwX2q> (Year: 2023).*

Primary Examiner — Brett Miller

Assistant Examiner — Mary Anne Arntzen

(74) *Attorney, Agent, or Firm* — Rabin & Berdo, P.C.

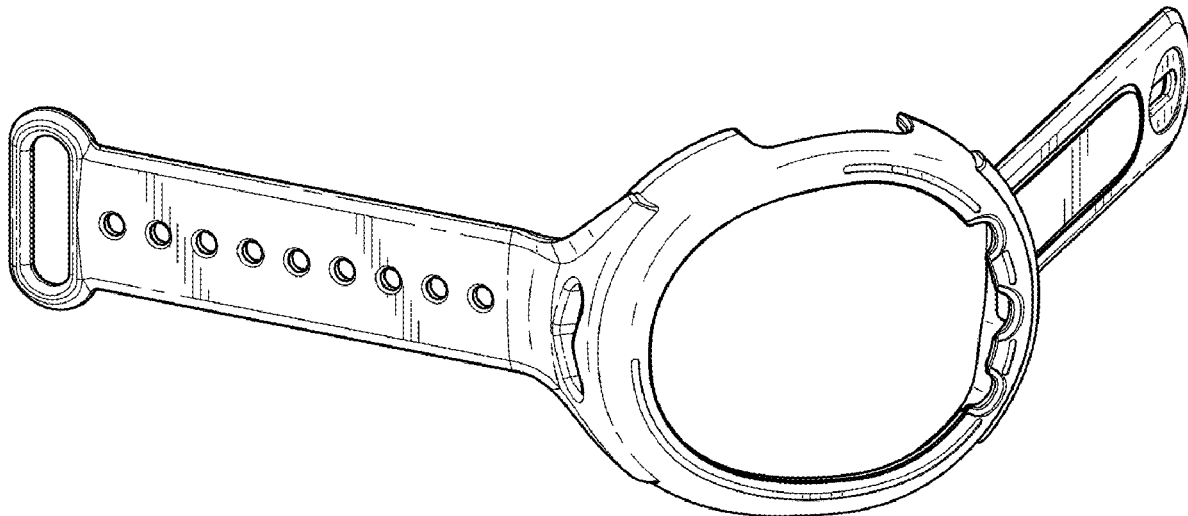
(57) **CLAIM**

The ornamental design for a belted cover for electronic device, as shown and described.

DESCRIPTION

FIG. 1 is a perspective view of a belted cover for electronic device showing the new design;
FIG. 2 is another perspective view thereof;
FIG. 3 is a front elevational view thereof;
FIG. 4 is a rear elevational view thereof;
FIG. 5 is a top plan view thereof;
FIG. 6 is a bottom view thereof;
FIG. 7 is a left side elevational view thereof; and,
FIG. 8 is a right side elevational view thereof.

1 Claim, 4 Drawing Sheets



(56)

References Cited

U.S. PATENT DOCUMENTS

D863,985 S * 10/2019 Viry D10/32
D970,383 S * 11/2022 Lin D11/3
D993,422 S * 7/2023 Kuo D24/186

FOREIGN PATENT DOCUMENTS

CN 303437276 * 11/2015
CN 303709431 * 6/2016
CN 304688690 * 6/2018
CN 305208851 * 6/2019
EM 000395256-0001 * 10/2007

* cited by examiner

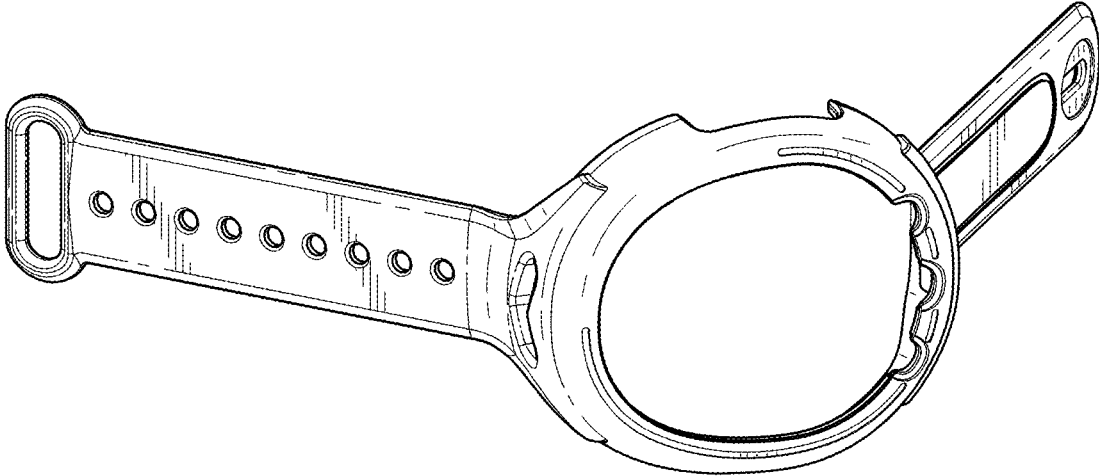


FIG. 1

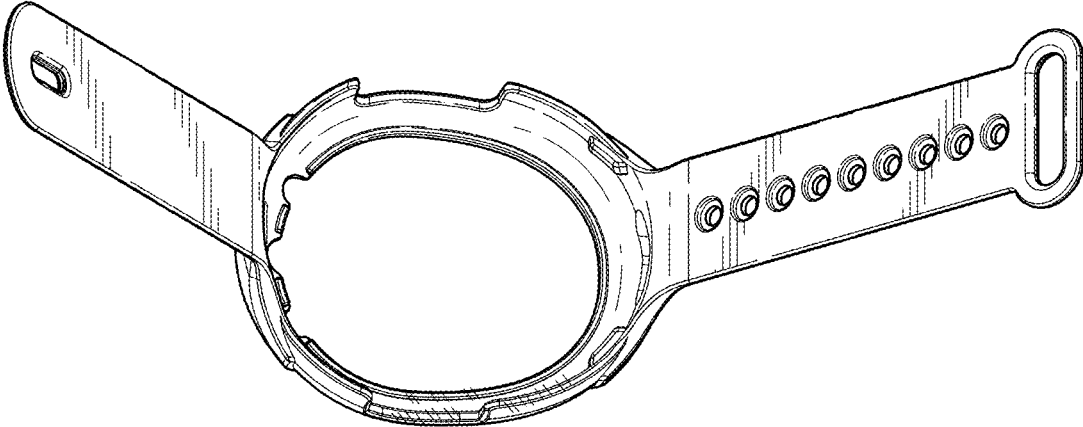


FIG. 2

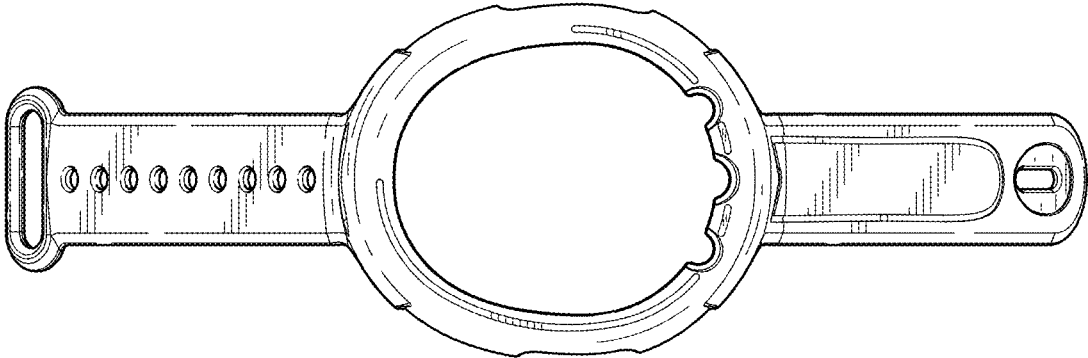


FIG. 3

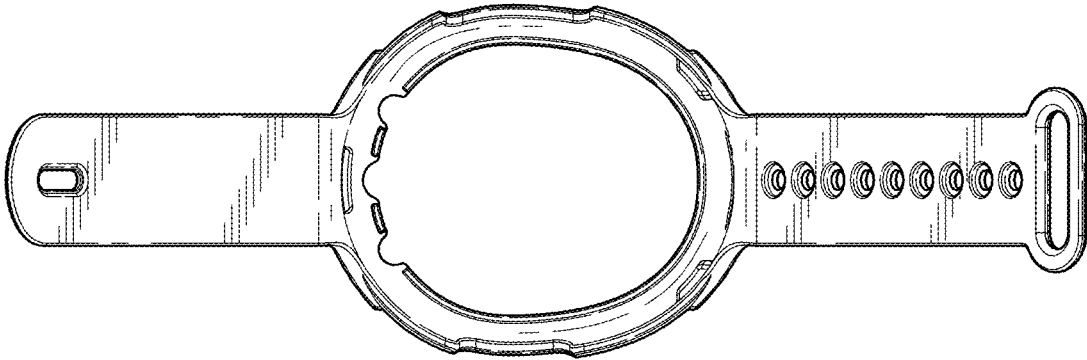


FIG. 4

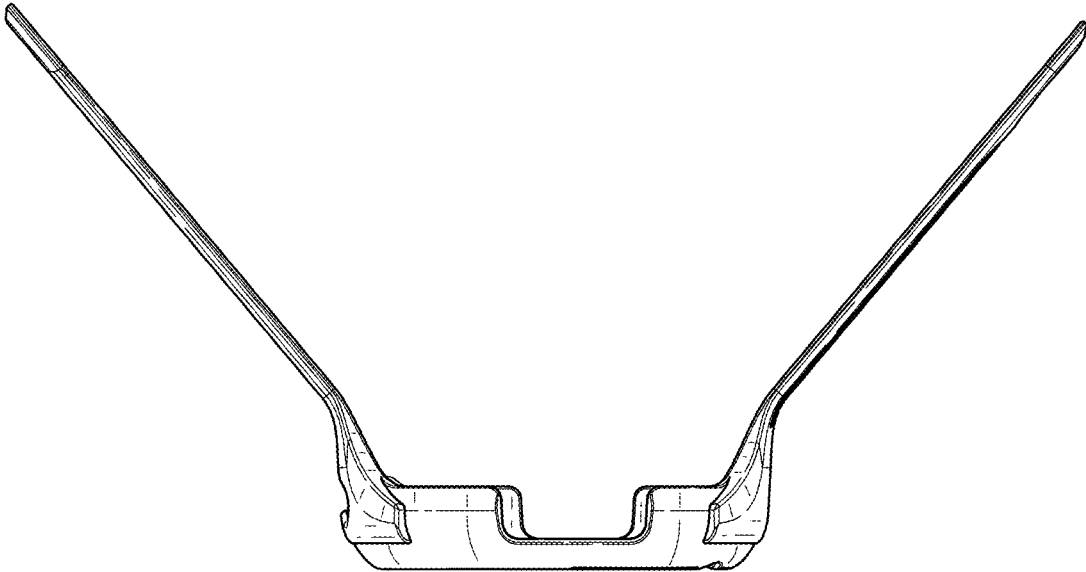


FIG. 5

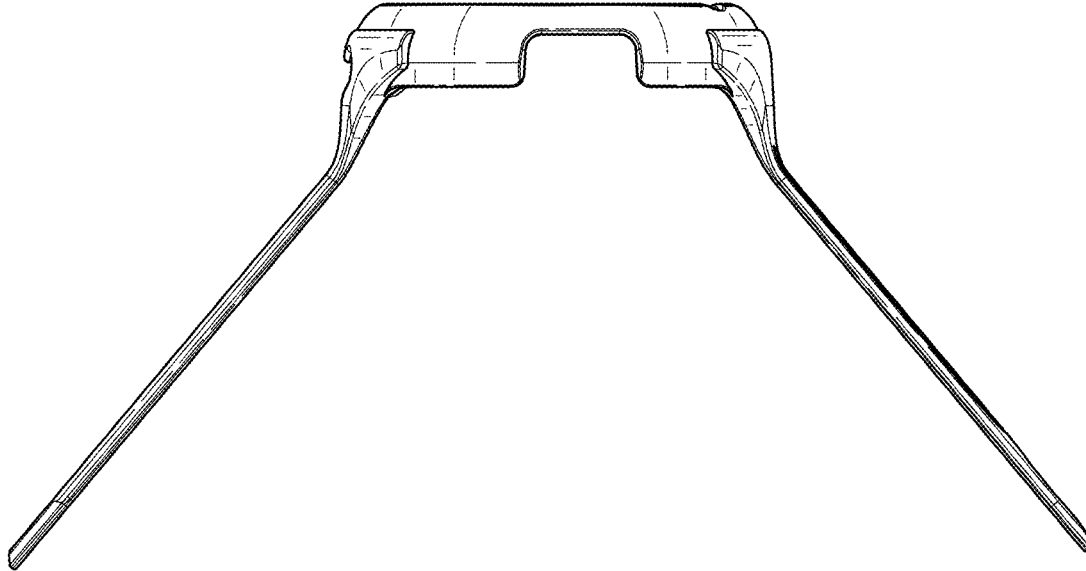


FIG. 6

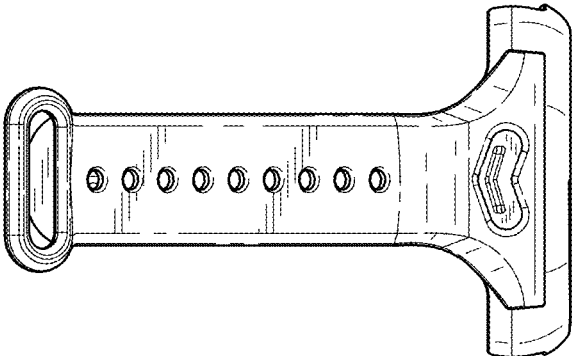


FIG. 7

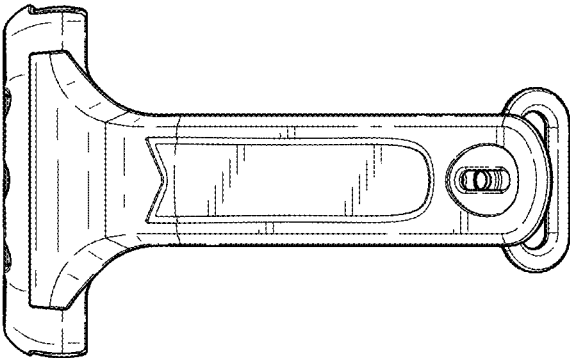


FIG. 8