

[54] **KEYBOARD SUPPORT**

[75] **Inventor: Richard L. Watt, Jamestown, N.Y.**
[73] **Assignee: Weber-Knapp Company, Jamestown, N.Y.**
[**] **Term: 14 Years**

[21] **Appl. No.: 4,023**

[22] **Filed: Jan. 16, 1987**

[52] **U.S. Cl. D6/430**

[58] **Field of Search D6/429, 491, 430, 509, D6/511, 567, 572, 574, 579; D18/23; 248/918**

[56] **References Cited**

U.S. PATENT DOCUMENTS

D. 251,648	4/1979	Graviner	D6/574
4,616,798	10/1986	Smeenge et al.	248/918
4,691,888	9/1987	Cotterill	248/918
4,706,919	11/1987	Soberalski et al.	248/918

Primary Examiner—Carmen H. Vales-Lado

Assistant Examiner—Schon C. Oppert
Attorney, Agent, or Firm—Bean, Kauffman & Spencer

[57] **CLAIM**

The ornamental design for a keyboard support, as shown and described.

DESCRIPTION

FIG. 1 is a top perspective view of a keyboard support showing our new design;

FIG. 2 is a top perspective view, in a lowered condition;

FIG. 3 is a top perspective view, in a retracted condition;

FIG. 4 is a top plan view, as shown in FIG. 1;

FIG. 5 is a bottom plan view, thereof;

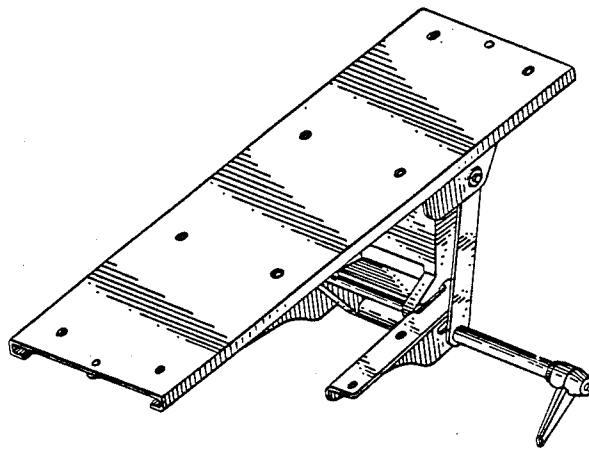
FIG. 6 is a front elevational view, thereof;

FIG. 7 is a rear elevational view, thereof;

FIG. 8 is a right side elevational view, thereof; and

FIG. 9 is a left side elevational view thereof.

The broken line disclosure of FIG. 1, which shows a keyboard supporting shelf mounted by the mechanism, is for illustrative purposes only and forms no part of the claimed design.



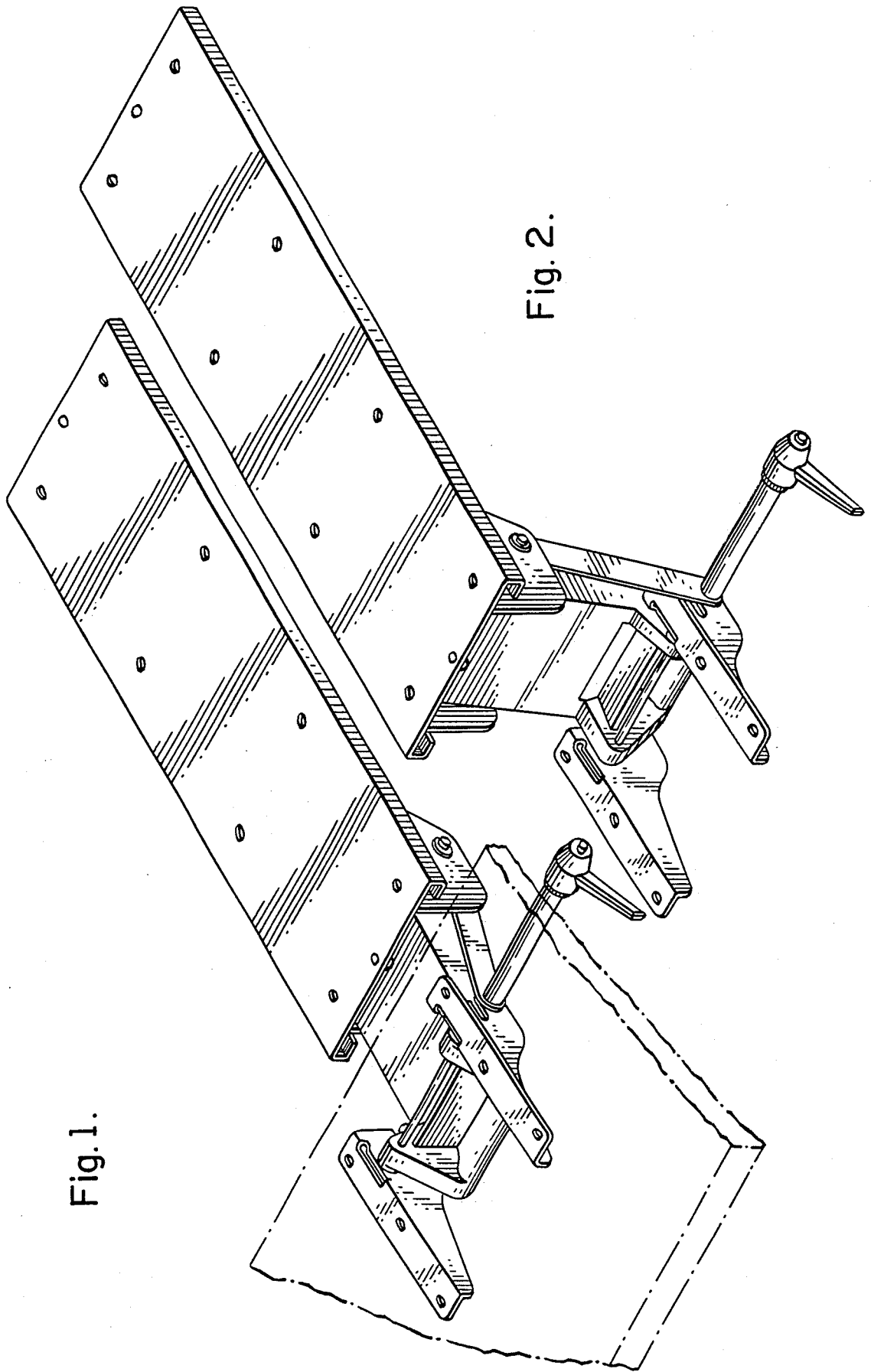


Fig. 1.

Fig. 2.

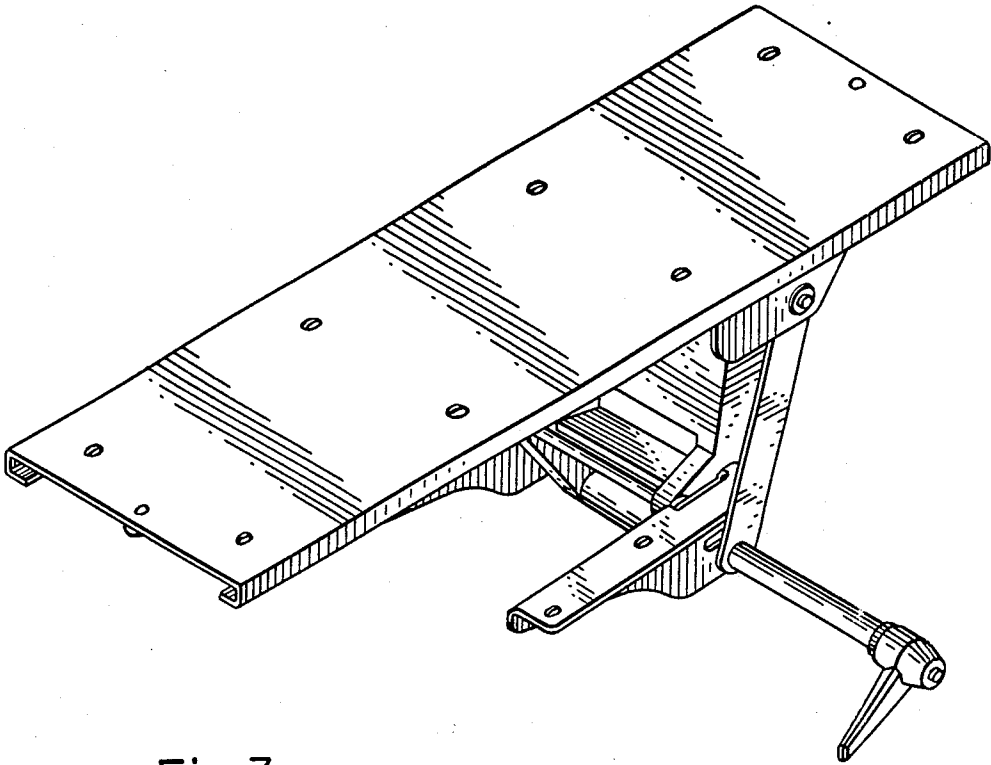


Fig. 3.

Fig. 8.

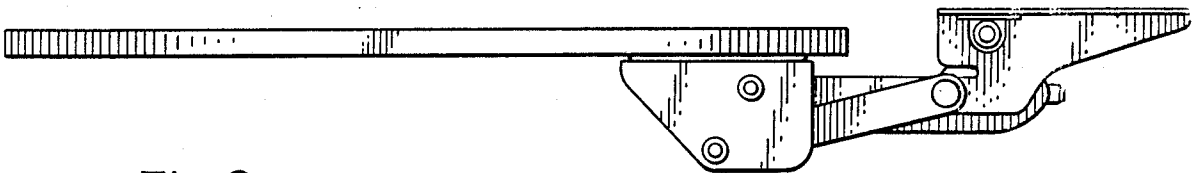
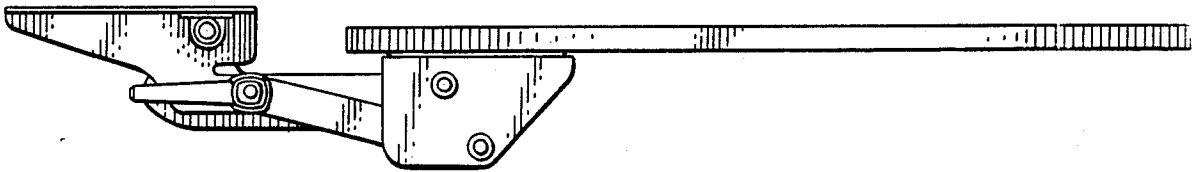


Fig. 9.

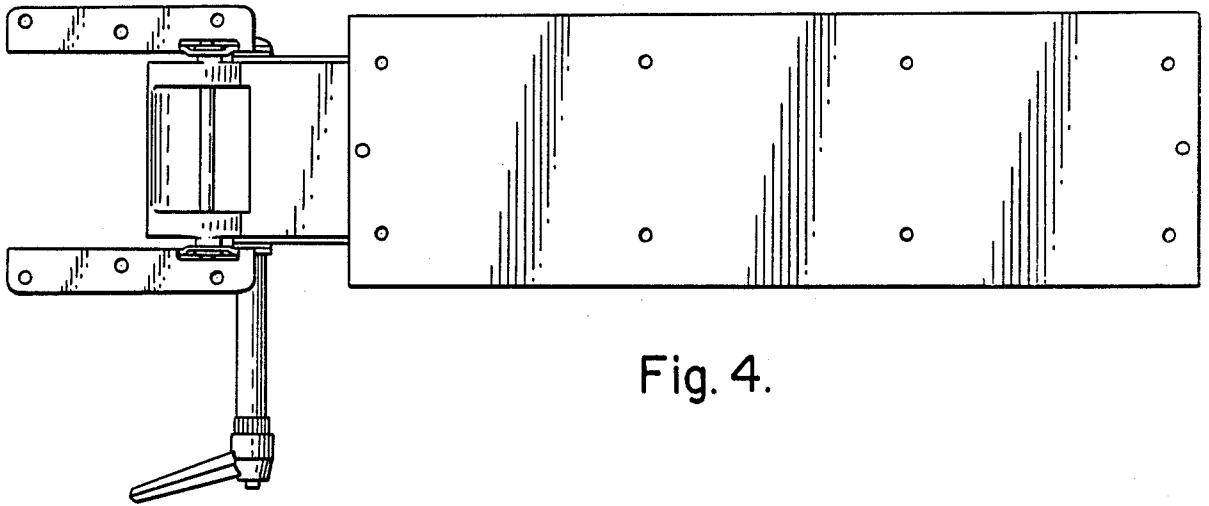


Fig. 4.

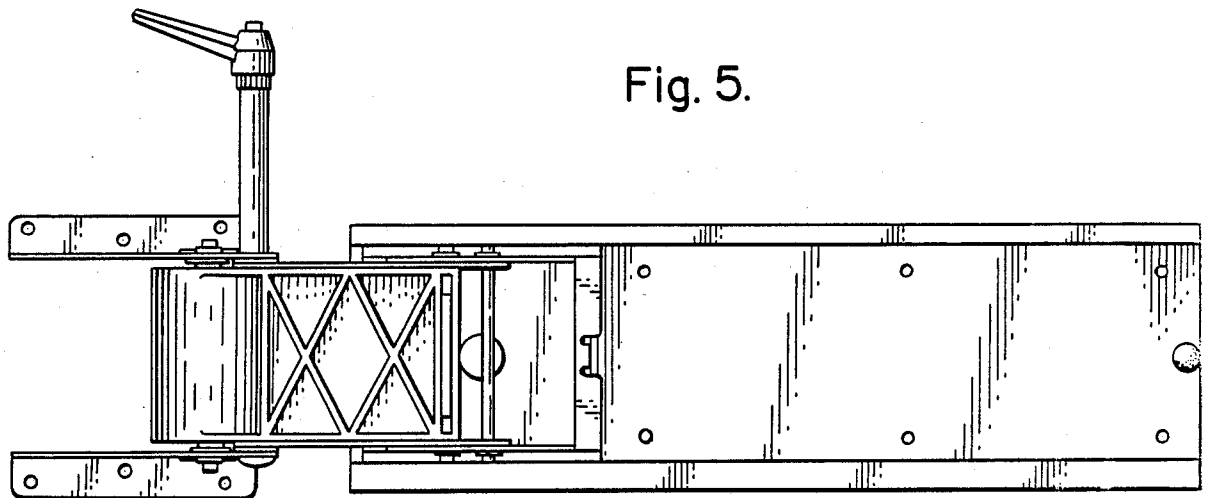


Fig. 5.

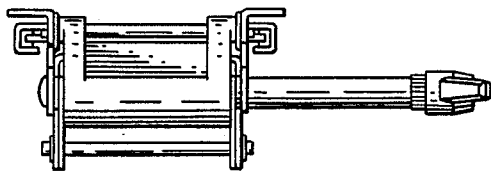


Fig. 6.

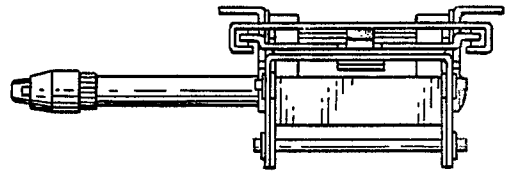


Fig. 7.

UNITED STATES PATENT AND TRADEMARK OFFICE
CERTIFICATE OF CORRECTION

PATENT NO. : D306,239

DATED : February 27, 1990

INVENTOR(S) : Richard L. Watt et al

It is certified that error appears in the above-identified patent and that said Letters Patent is hereby corrected as shown below:

Title page, item [75] should read:

Inventors: Richard L. Watt; James R. Caronia, both of
Jamestown, N.Y.

Signed and Sealed this
Fourteenth Day of May, 1991

Attest:

Attesting Officer

HARRY F. MANBECK, JR.

Commissioner of Patents and Trademarks