



(12) **United States Design Patent**
Wang et al.

(10) **Patent No.:** **US D720,428 S**
(45) **Date of Patent:** **** Dec. 30, 2014**

(54) **TOILET RIM BLOCK**
(71) Applicant: **S.C Johnson & Son, Inc.**, Racine, WI (US)

8,316,471 B2 11/2012 Pessel et al.
D679,778 S 4/2013 Gerhards
D689,167 S 9/2013 Gerhards
D698,004 S * 1/2014 Bruining et al. D23/208
2001/0004775 A1 6/2001 Falchieri
2002/0083514 A1 7/2002 Lhoste

(72) Inventors: **Weiwei Wang**, Shanghai (CN); **Zheng Yu Zhang**, Shanghai (CN)

(Continued)

(73) Assignee: **S.C. Johnson & Son, Inc.**, Racine, WI (US)

FOREIGN PATENT DOCUMENTS

(**) Term: **14 Years**

CN 1995216318 7/1995
CN 00250078 9/2000

(Continued)

(21) Appl. No.: **29/468,736**

OTHER PUBLICATIONS

(22) Filed: **Oct. 2, 2013**

Tesco, "Duck 5In1 Rimblock", <http://www.tesco.com/groceries/Product/Details?id=278608564>, Oct. 8, 2013, p. 1, published 2013.

(51) **LOC (10) Cl.** **23-01**

(Continued)

(52) **U.S. Cl.**
USPC **D23/208**

(58) **Field of Classification Search**
CPC E03D 9/02; E03D 9/032
USPC D23/207, 208; 4/223, 225.1, 227.1, 4/231, 232
See application file for complete search history.

Primary Examiner — Robin V Webster

(57) **CLAIM**
The ornamental design for a toilet rim block, as shown and described.

(56) **References Cited**

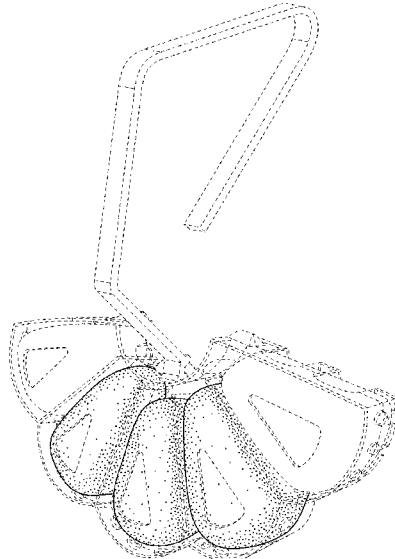
DESCRIPTION

U.S. PATENT DOCUMENTS

- 1,974,955 A 9/1934 Foltis
- 6,519,783 B2 2/2003 Falchieri
- 6,647,558 B2 11/2003 Falchieri
- D507,628 S 7/2005 McLellan et al.
- D536,059 S 1/2007 King et al.
- D613,368 S 4/2010 Padain et al.
- 7,788,740 B2 9/2010 De Belder et al.
- 7,971,284 B2 7/2011 Pessel et al.
- 8,051,503 B2 11/2011 Nguyen et al.
- D656,575 S * 3/2012 Muhlhausen D23/208
- D656,576 S 3/2012 Muhlhausen
- D659,793 S 5/2012 Muhlhausen
- 8,181,282 B2 * 5/2012 Butter-Jentsch et al. 4/231
- D662,174 S * 6/2012 Reijnders D23/208

FIG. 1 is a top, front, right perspective view of a toilet rim block showing our new design;
FIG. 2 is a front view thereof;
FIG. 3 is a rear view thereof;
FIG. 4 is a left side view thereof;
FIG. 5 is a right side view thereof;
FIG. 6 is a top view thereof; and,
FIG. 7 is a bottom view thereof.
The broken lines showing the remainder of the toilet rim block are for environmental purposes only and form no part of the claimed design.

1 Claim, 5 Drawing Sheets



(56)

References Cited

U.S. PATENT DOCUMENTS

2002/0178493	A1	12/2002	Varanasi et al.
2003/0088908	A1	5/2003	Falchieri
2003/0207964	A1	11/2003	Gazzaniga et al.
2004/0068782	A1	4/2004	Butter-Jentsch et al.
2004/0107484	A1	6/2004	Butter-Jentsch et al.
2005/0014668	A1	1/2005	Bariou et al.
2006/0137081	A1	6/2006	Ferrara et al.
2007/0204387	A1	9/2007	Cornelius et al.
2008/0313795	A1	12/2008	Lu
2010/0192291	A1	8/2010	Burt et al.
2010/0212074	A1	8/2010	Burt et al.
2010/0299818	A1	12/2010	Lu
2011/0099698	A1	5/2011	Butter-Jentsch et al.
2012/0047640	A1	3/2012	Butter-Jentsch et al.
2012/0266368	A1	10/2012	Butter-Jentsch et al.
2012/0266369	A1	10/2012	Butter-Jentsch et al.
2012/0266370	A1	10/2012	Butter-Jentsch et al.
2013/0104304	A1	5/2013	Wilson et al.
2013/0239313	A1	9/2013	Schiedel et al.

FOREIGN PATENT DOCUMENTS

CN	2006260877	6/2006
CN	2006260878	6/2006
EM	0019735790001	1/2012

EM	0019735790002	1/2012
EM	0019735790003	1/2012
EM	0021333140001	11/2012
EP	0940509	9/1999
EP	1334239	8/2003
EP	2132383	12/2009
EP	1789099	2/2010
EP	2183439	5/2010
EP	2227604	9/2010
EP	2305901	6/2011
EP	2305900	8/2013
WO	2009/086947	7/2009
WO	2009/086948	7/2009
WO	2010/018006	2/2010
WO	2012/062914	5/2012
WO	D078587-001	6/2012
WO	D078587-002	6/2012
WO	D078587-003	6/2012
WO	D078588-001	6/2012
WO	D078588-002	6/2012
WO	D078588-003	6/2012
WO	D079761-001	12/2012

OTHER PUBLICATIONS

Myshopping.com.au, "2x Glade Perfume Toilet Block Lavender"
http://www.myshopping.com.au/ZM--12341073562x_glade_perfume_toilet_block_lavender, Oct. 8, 2013, p. 1, published 2013.

* cited by examiner

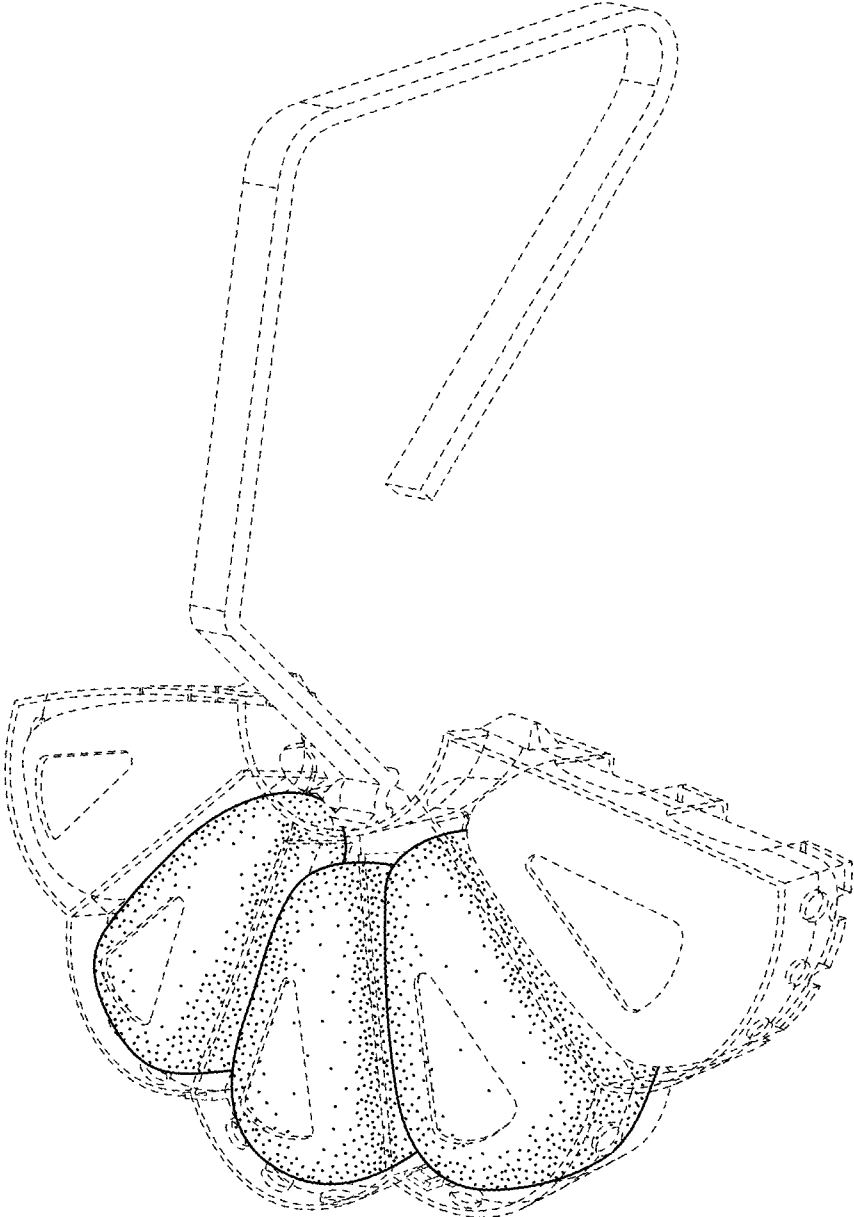


FIG. 1

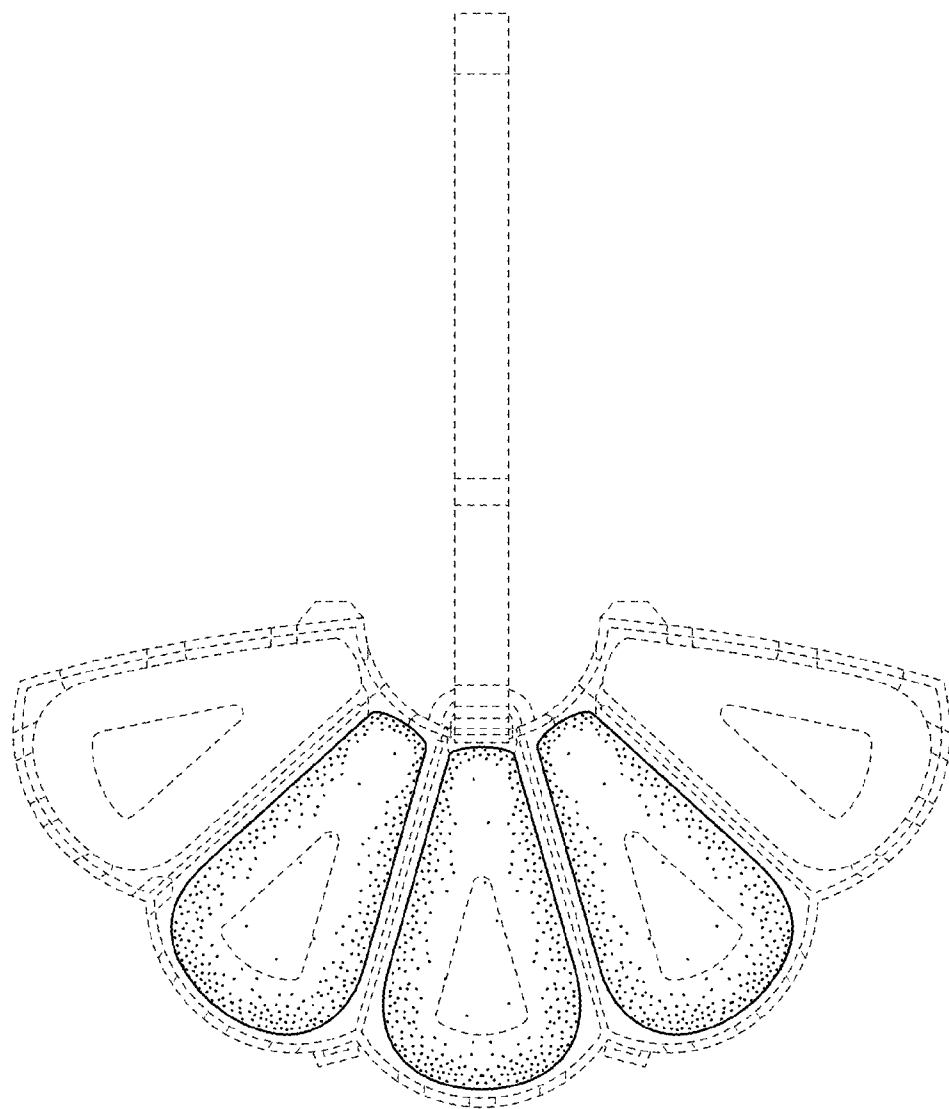


FIG. 2

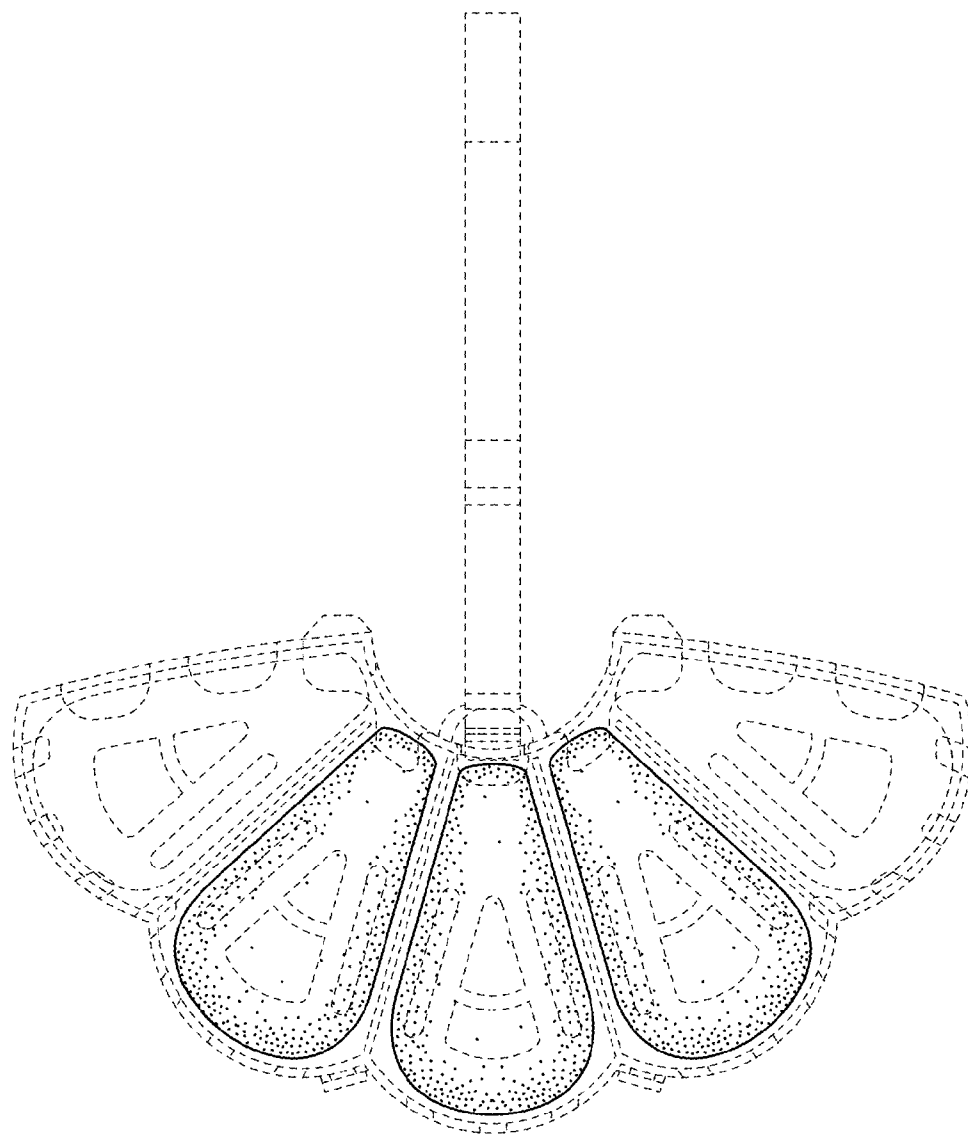


FIG. 3

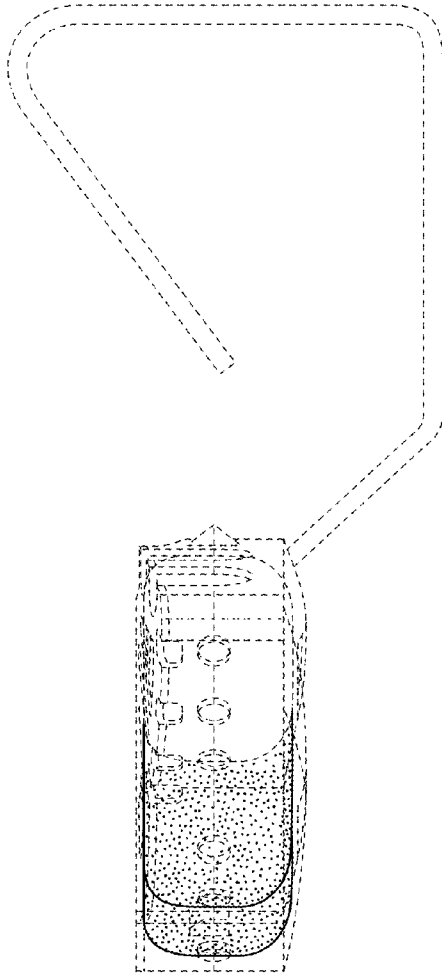


FIG. 4

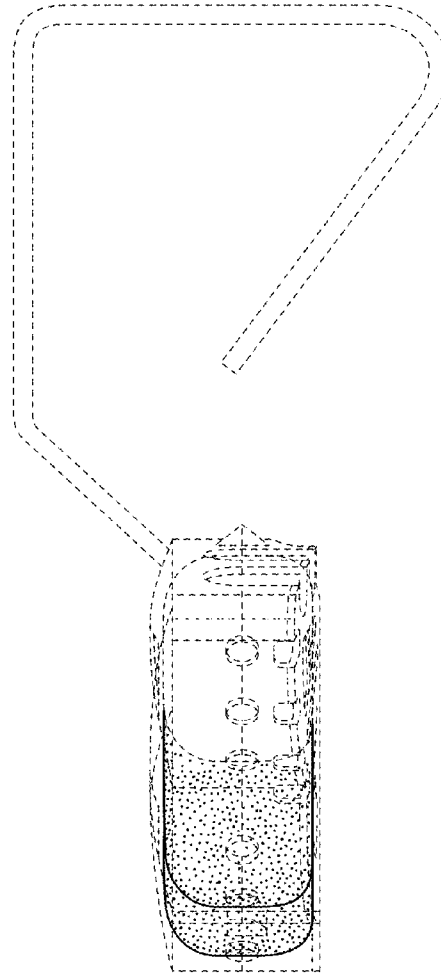


FIG. 5

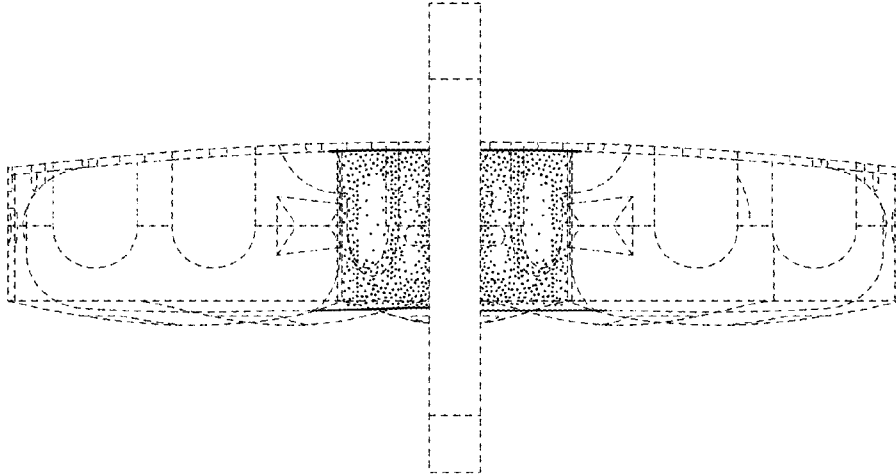


FIG. 6

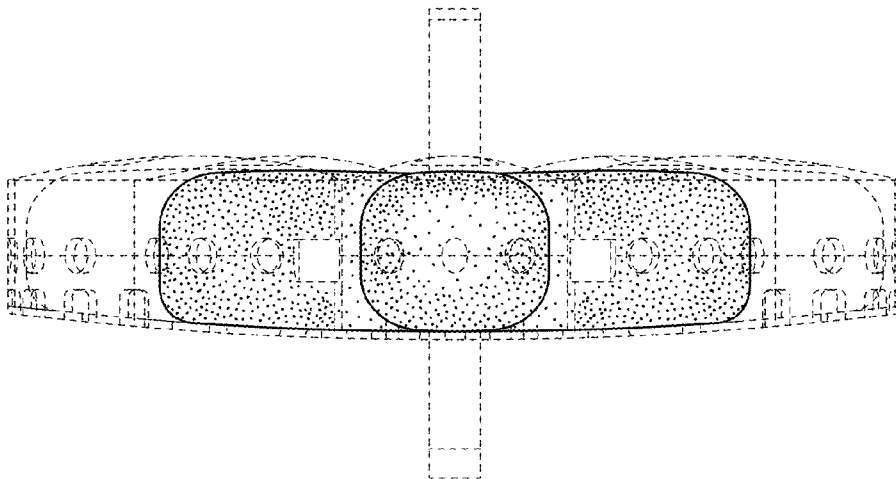


FIG. 7