



US00D386941S

# United States Patent [19] Barker

[11] Patent Number: **Des. 386,941**  
[45] Date of Patent: **\*\*Dec. 2, 1997**

- [54] **BLENDER**
- [75] Inventor: **Mario John Barker**, 149 Pyrmont Street, Pyrmont, New South Wales, Australia
- [73] Assignee: **Mario John Barker**, Pyrmont, Australia
- [\*\*] Term: **14 Years**
- [21] Appl. No.: **55,276**
- [22] Filed: **Jun. 3, 1996**
- [51] LOC (6) Cl. .... **31-00**
- [52] U.S. Cl. .... **D7/378**
- [58] Field of Search ..... D7/376-378, 386, D7/413; 241/12, 37.5, 100, 199; 366/129, 130, 197, 199, 204, 205, 314

- D. 123,509 11/1940 Poplawski ..... D7/378
- D. 183,177 7/1958 Oertli ..... D7/378

*Primary Examiner*—Caron D. Veynar  
*Attorney, Agent, or Firm*—Michael J. Striker

### [57] CLAIM

The ornamental design for a blender, as shown and described.

### DESCRIPTION

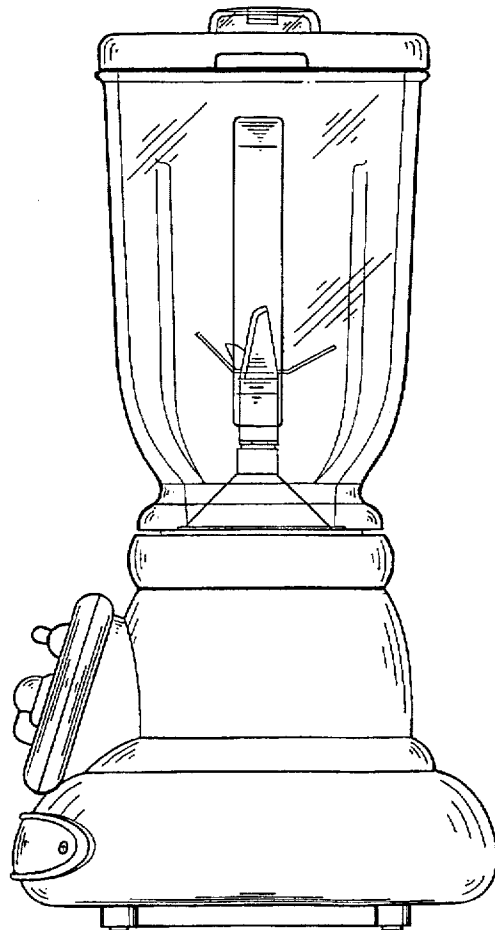
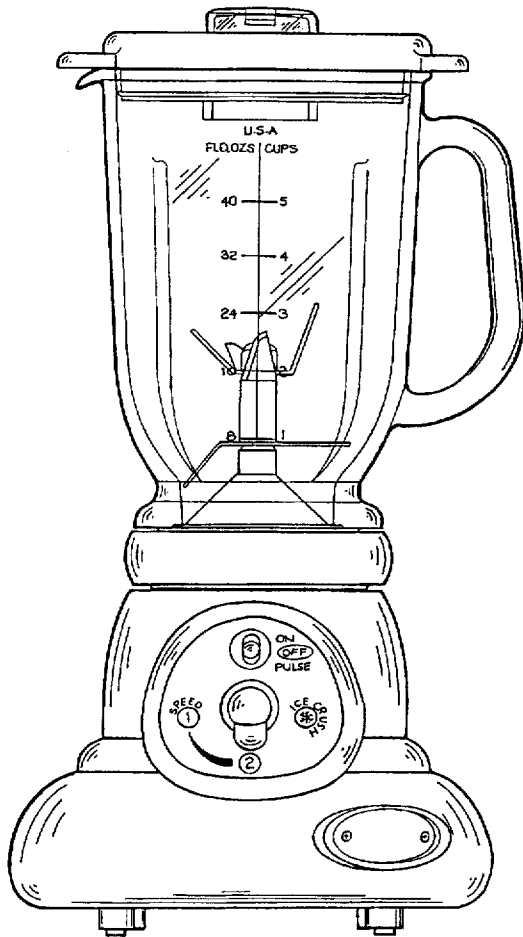
- FIG. 1 is a front elevation of a blender according to the invention;
- FIG. 2 is a side elevation thereof from the left;
- FIG. 3 is a side elevation thereof from the right;
- FIG. 4 is a rear elevation thereof;
- FIG. 5 is a plan thereof from above; and,
- FIG. 6 is a plan view thereof from below.

### [56] References Cited

#### U.S. PATENT DOCUMENTS

- D. 120,225 4/1940 Lawrence ..... D7/386

**1 Claim, 6 Drawing Sheets**



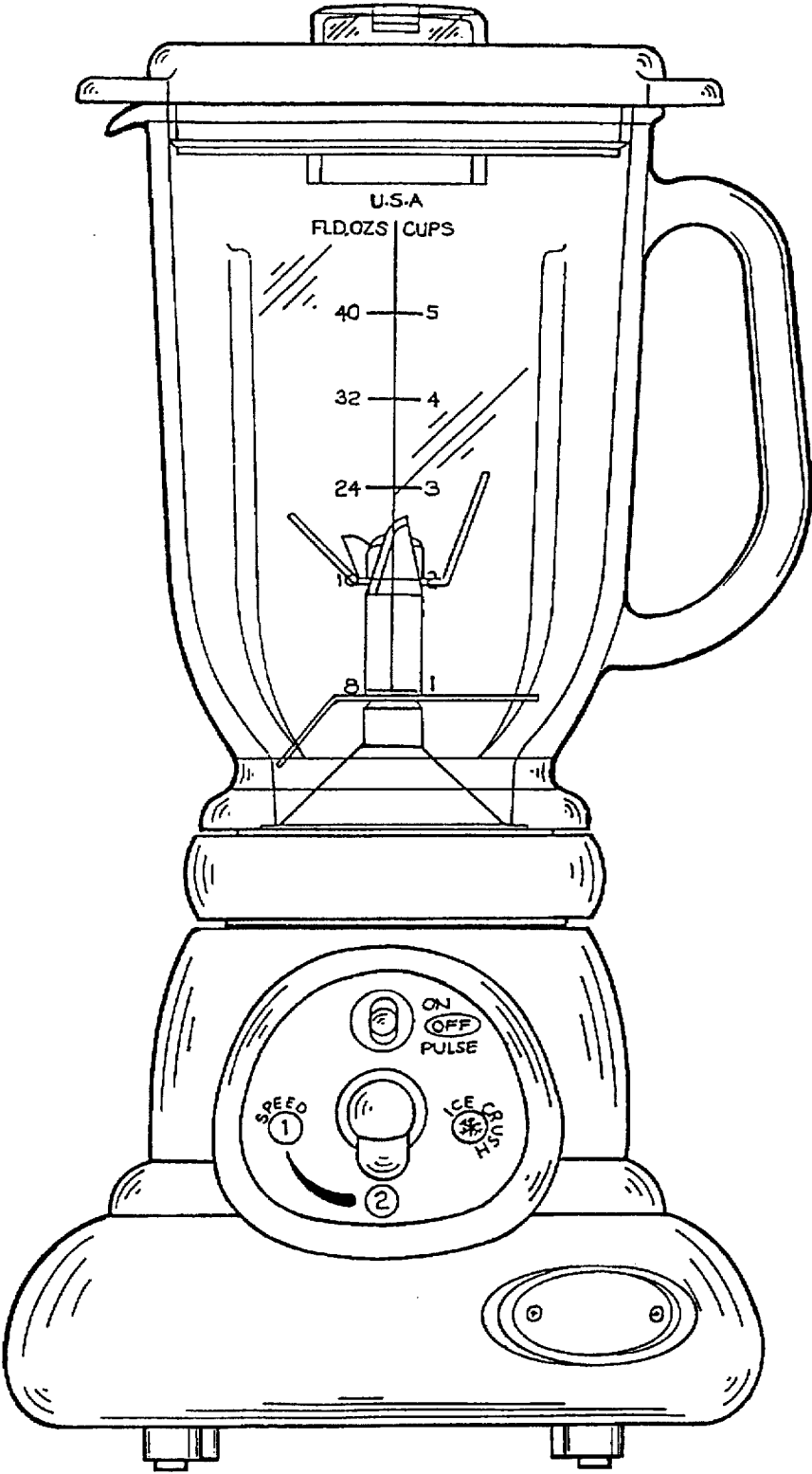


FIG. 1

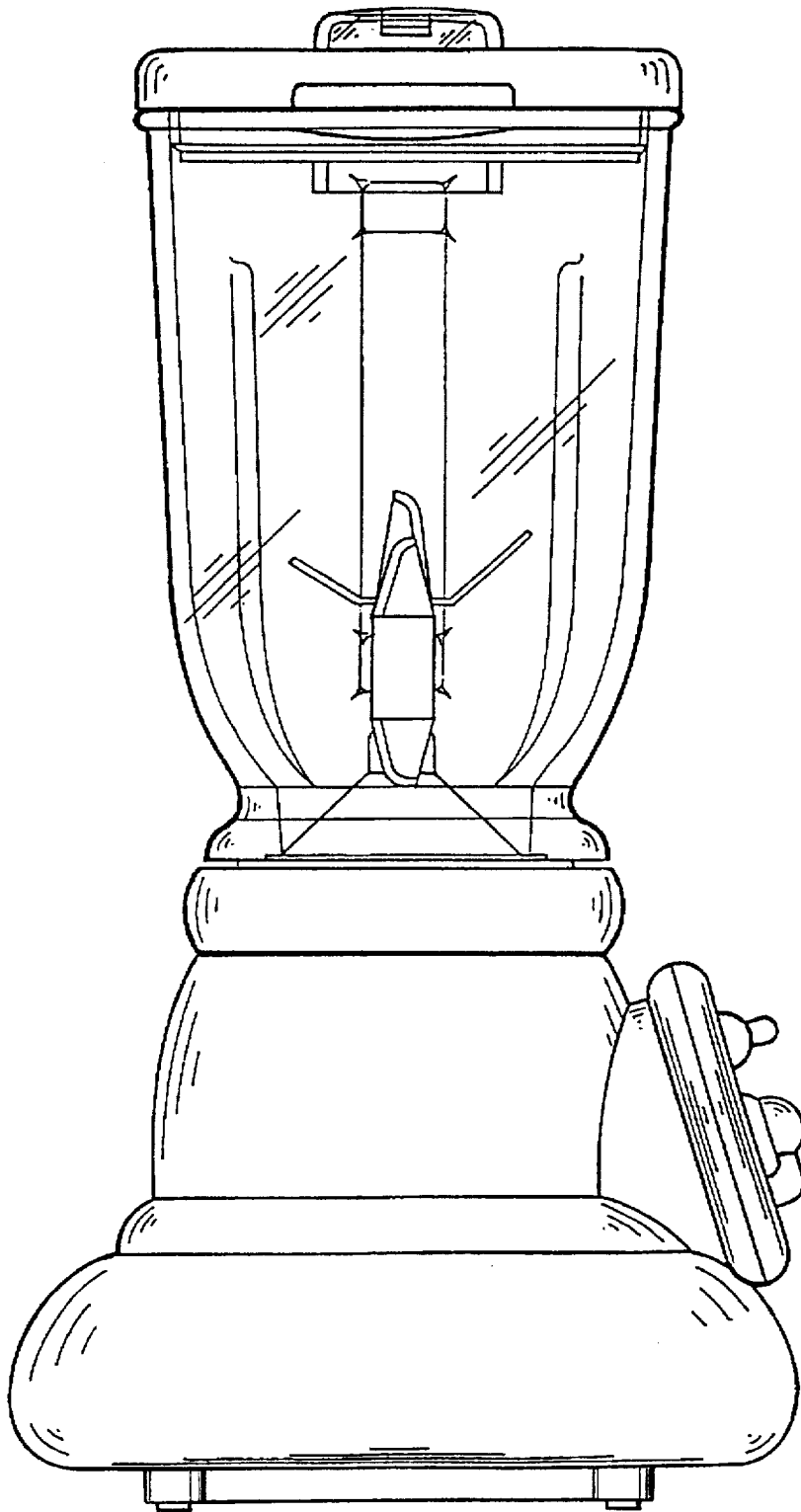


FIG. 2

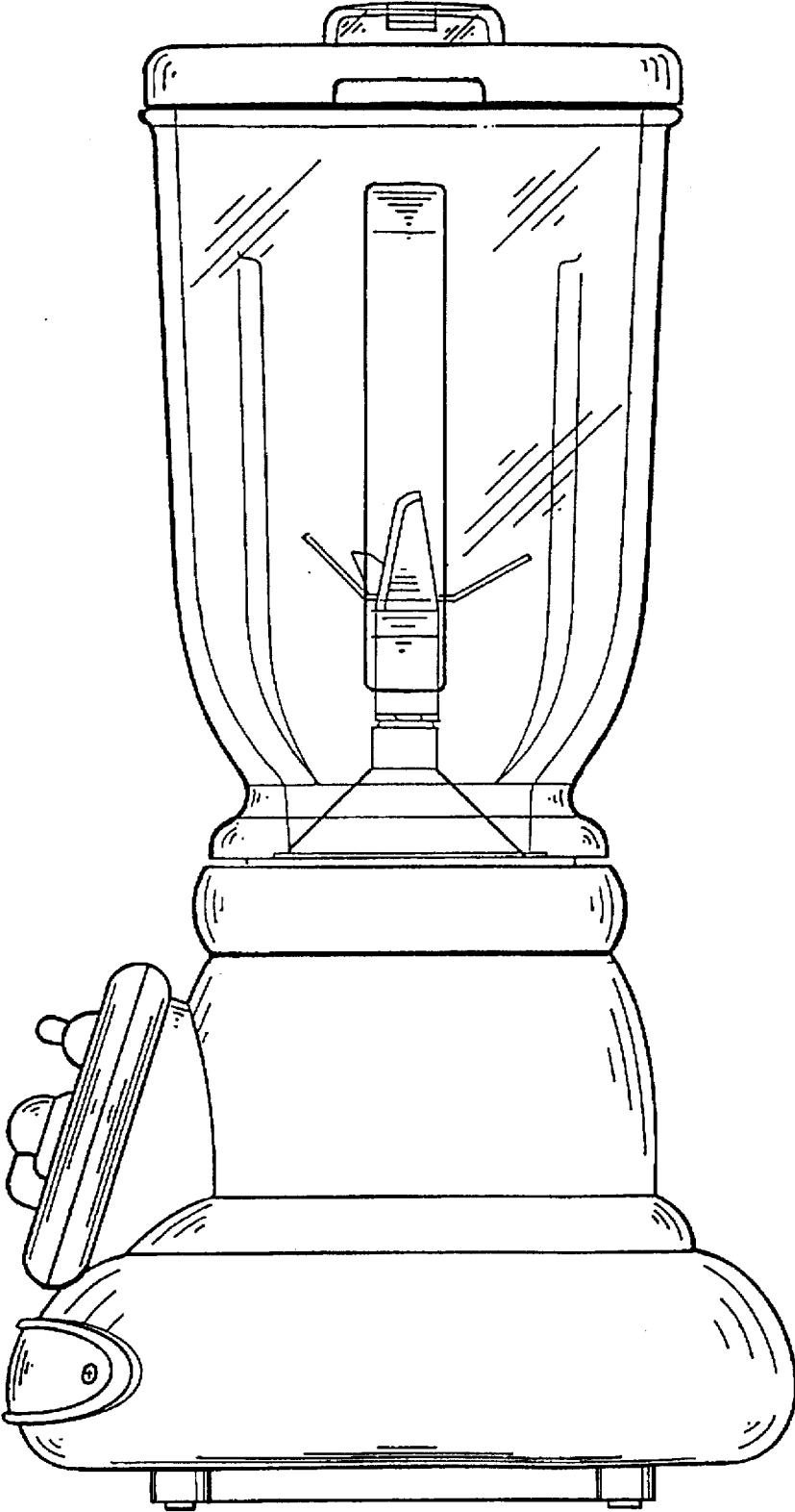


FIG. 3

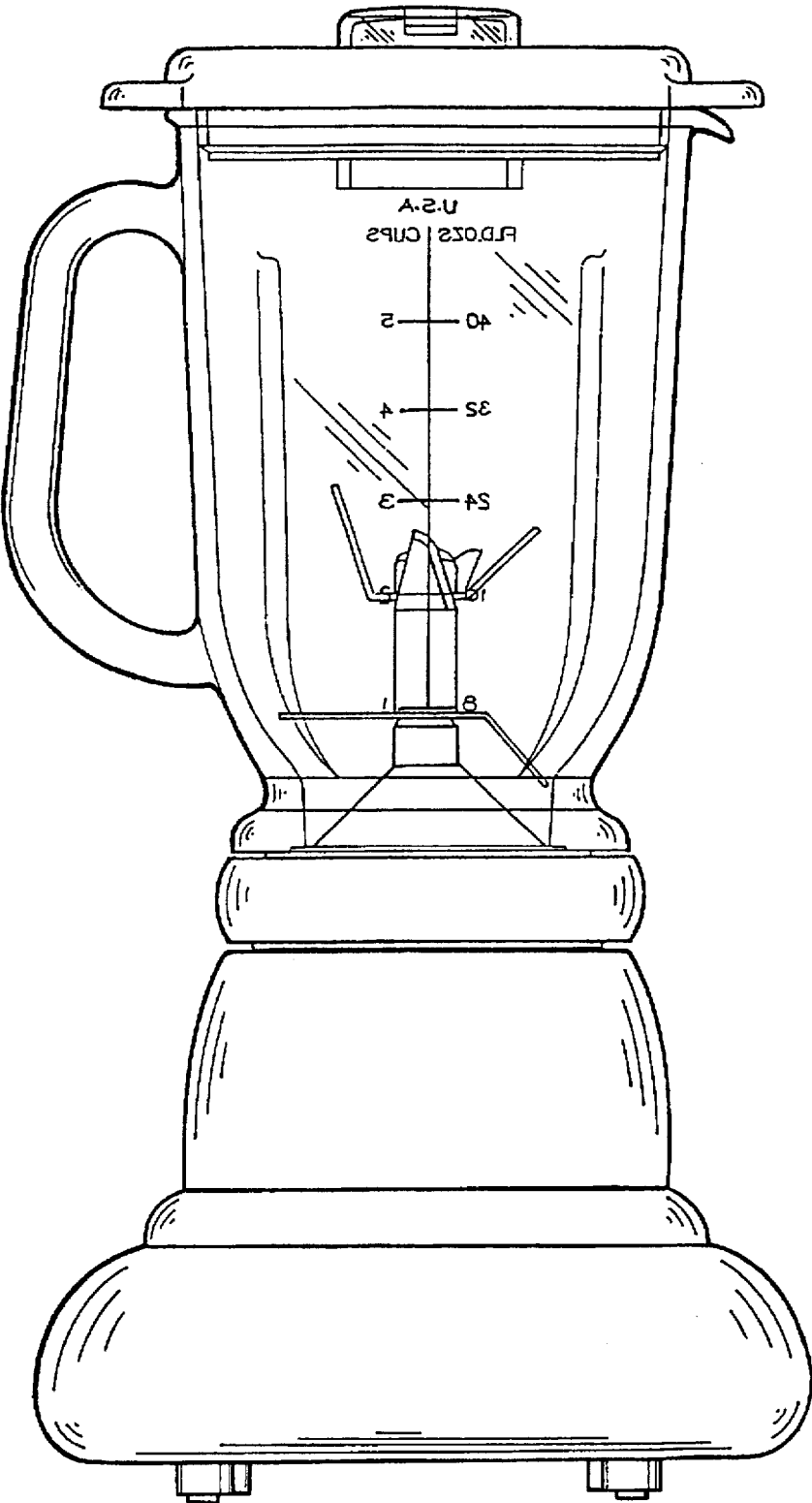


FIG. 4

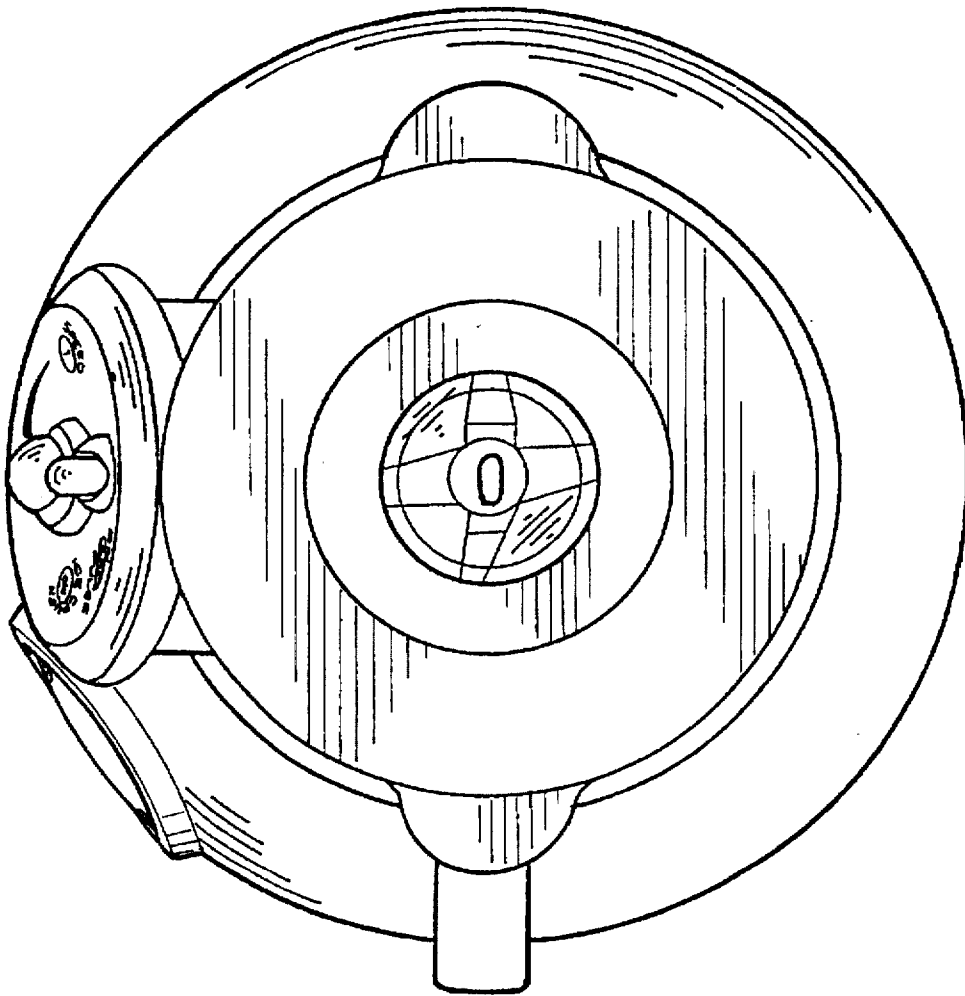


FIG. 5

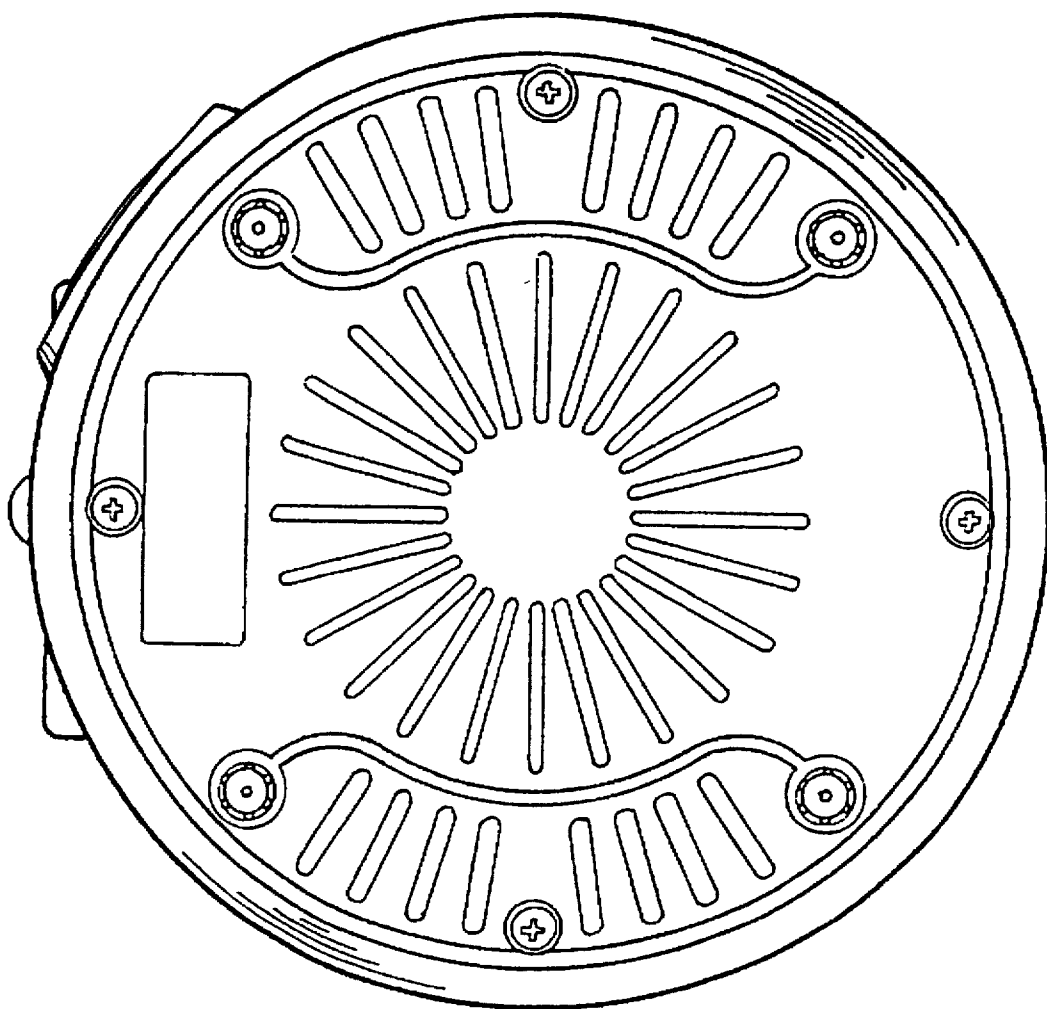


FIG. 6