



US00D991024S

(12) **United States Design Patent**
Liebelt

(10) **Patent No.:** **US D991,024 S**

(45) **Date of Patent:** **** Jul. 4, 2023**

(54) **FASTENER**

5,975,820 A 11/1999 Kirchen
5,980,180 A 11/1999 Schiess
6,364,586 B1 4/2002 Okada

(Continued)

(71) Applicant: **ILLINOIS TOOL WORKS INC.**,
Glenview, IL (US)

(72) Inventor: **Scott Liebelt**, Eau Claire, WI (US)

(73) Assignee: **ILLINOIS TOOL WORKS INC.**,
Glenview, IL (US)

(**) Term: **15 Years**

(21) Appl. No.: **29/819,520**

(22) Filed: **Dec. 15, 2021**

(51) **LOC (14) Cl.** **08-08**

(52) **U.S. Cl.**
USPC **D8/382**

(58) **Field of Classification Search**
USPC D8/382, 349, 385
CPC F16B 21/086; F16B 21/07; F16B 21/075;
F16B 19/1081; F16B 19/08; F16B 19/10;
F16B 21/082; F16B 21/08; F16B 13/06
See application file for complete search history.

(56) **References Cited**

U.S. PATENT DOCUMENTS

| | | | | |
|---------------|---------|------------------|-------|------------------------|
| 2,438,499 A * | 3/1948 | Hartman | | F16B 21/086 411/500 |
| D273,091 S | 3/1984 | Kurosaki | | |
| 4,927,287 A | 5/1990 | Ohkawa et al. | | |
| 4,952,106 A | 8/1990 | Kubogochi et al. | | |
| 4,953,269 A | 9/1990 | Ragsdale | | |
| 5,375,954 A | 12/1994 | Eguchi | | |
| 5,435,679 A | 7/1995 | Barry | | |
| 5,499,737 A | 3/1996 | Kraus | | |
| 5,507,610 A | 4/1996 | Benedetti et al. | | |
| 5,632,581 A | 5/1997 | Hassda | | |
| 5,795,118 A | 8/1998 | Osada | | |
| 5,850,676 A | 12/1998 | Takahashi | | |

FOREIGN PATENT DOCUMENTS

CN 3316413 * 8/2003
CN 106351930 A 1/2017

(Continued)

OTHER PUBLICATIONS

EP Search Report from Application No. 20150033.7, dated May 12, 2020 (8 pages).

Primary Examiner — S. Bryan Reinholdt, Jr.

Assistant Examiner — Ieisha N Price

(74) *Attorney, Agent, or Firm* — Quarles & Brady LLP

(57) **CLAIM**

The ornamental design for a fastener, as shown and described.

DESCRIPTION

FIG. 1 is an isometric view of the front, top, and right side of the fastener;

FIG. 2 is an isometric view of the front, bottom, and right side of the fastener of FIG. 1;

FIG. 3 is a front elevational view of the fastener of FIG. 1;

FIG. 4 is a rear elevational view of the fastener of FIG. 1;

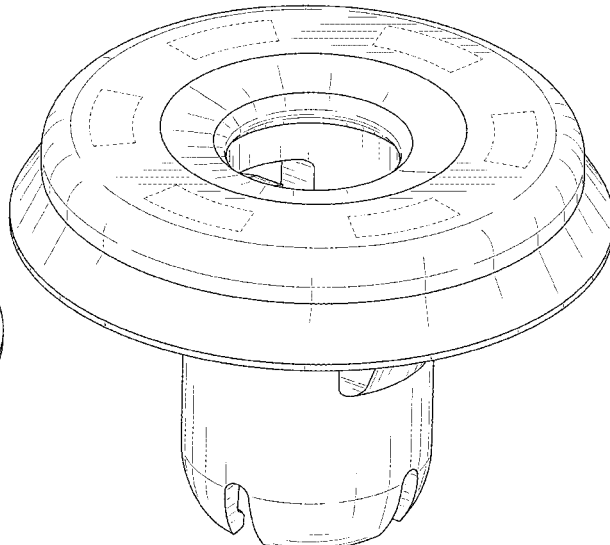
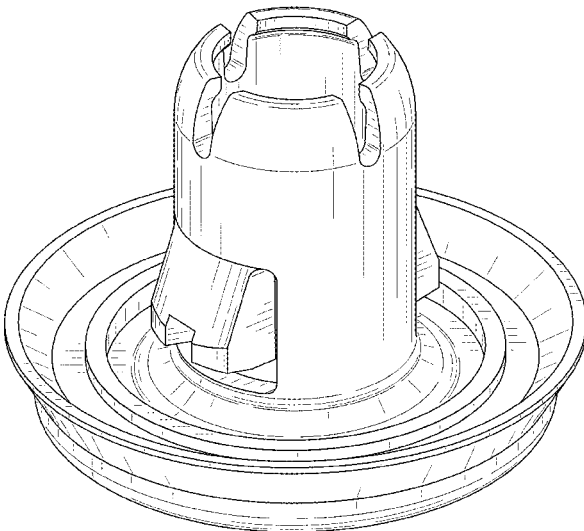
FIG. 5 is a right side elevational view of the fastener of FIG. 1;

FIG. 6 is a left side elevational view of the fastener of FIG. 1;

FIG. 7 is a bottom plan view of the fastener of FIG. 1; and, FIG. 8 is a top plan view of the fastener of FIG. 1.

The evenly spaced broken lines in the drawings illustrate portions of the fastener and form no part of the claimed design.

1 Claim, 6 Drawing Sheets



(56)

References Cited

U.S. PATENT DOCUMENTS

| | | | | |
|--------------|-----|---------|--------------------------------------|--|
| 6,431,585 | B1 | 8/2002 | Rickabus | |
| 6,616,479 | B1 | 9/2003 | Jones | |
| 6,769,849 | B2 | 8/2004 | Yoneoka | |
| 7,033,121 | B2 | 4/2006 | Kirchen | |
| 7,207,759 | B2 | 4/2007 | Kato | |
| 7,690,876 | B2 | 4/2010 | Kawai et al. | |
| 8,037,582 | B2 | 10/2011 | Okada et al. | |
| D665,245 | S | 8/2012 | Nakazato | |
| 8,245,367 | B2 | 8/2012 | Kato et al. | |
| 8,348,568 | B2 | 1/2013 | Murakami | |
| 8,662,807 | B2 | 3/2014 | Adachi | |
| 8,769,779 | B2 | 7/2014 | Lee | |
| 8,961,092 | B2 | 2/2015 | De Jong | |
| 9,061,379 | B1 | 6/2015 | Mead | |
| 9,115,743 | B2 | 8/2015 | Yamamoto | |
| 9,303,672 | B2 | 4/2016 | Lepper | |
| 9,879,707 | B2 | 1/2018 | Watanabe | |
| D824,747 | S | 8/2018 | Briese et al. | |
| 10,113,577 | B2 | 10/2018 | Kanie | |
| 10,451,100 | B2 | 10/2019 | Flynn | |
| D889,221 | S | 12/2020 | Liebelt | |
| D905,546 | S | 12/2020 | Liebelt | |
| D972,402 | S * | 12/2022 | Liebelt B60R 16/0222 D8/382 | |
| 2002/0026693 | A1 | 3/2002 | Akema et al. | |
| 2002/0094253 | A1 | 7/2002 | Enomoto et al. | |

| | | | | |
|--------------|------|---------|----------------|-------------|
| 2004/0013481 | A1 | 1/2004 | Jeppesen | |
| 2004/0020016 | A1 | 8/2004 | Yoneoka | |
| 2006/0171793 | A1 | 8/2006 | Kawai | |
| 2007/0289770 | A1 | 12/2007 | Koike | |
| 2008/0298925 | A1 | 12/2008 | Shinozaki | |
| 2010/0162534 | A1 | 7/2010 | Kato | |
| 2011/0014005 | A1 | 1/2011 | Shinozaki | |
| 2012/0057948 | A1 | 3/2012 | Jeon | |
| 2012/0210546 | A1 | 8/2012 | Jang et al. | |
| 2012/0230796 | A1 | 9/2012 | McClure | |
| 2014/0047679 | A1 | 2/2014 | Lepper | |
| 2014/0099156 | A1 | 4/2014 | Weber | |
| 2016/0348707 | A1 | 12/2016 | Wu | |
| 2020/0141440 | A1 | 5/2020 | Liebelt et al. | |
| 2020/0217345 | A1 | 7/2020 | Liebelt | |
| 2021/0239147 | A1 * | 8/2021 | Gokavi | F16B 21/065 |
| 2021/0309170 | A1 * | 10/2021 | Liebelt | F16B 21/075 |
| 2021/0310509 | A1 * | 10/2021 | Liebelt | F16B 21/075 |
| 2022/0013257 | A1 * | 1/2022 | Liebelt | H01B 17/583 |
| 2022/0397146 | A1 * | 12/2022 | Leidig | F16B 21/086 |

FOREIGN PATENT DOCUMENTS

| | | | | |
|----|-----------------|----|--------|--|
| DE | 3931180 | A1 | 4/1990 | |
| EP | 2719907 | A1 | 4/2014 | |
| EP | 2722534 | A1 | 4/2014 | |
| IN | 329192-001-0001 | * | 1/2023 | |
| TW | 155984-0001 | * | 9/2013 | |

* cited by examiner

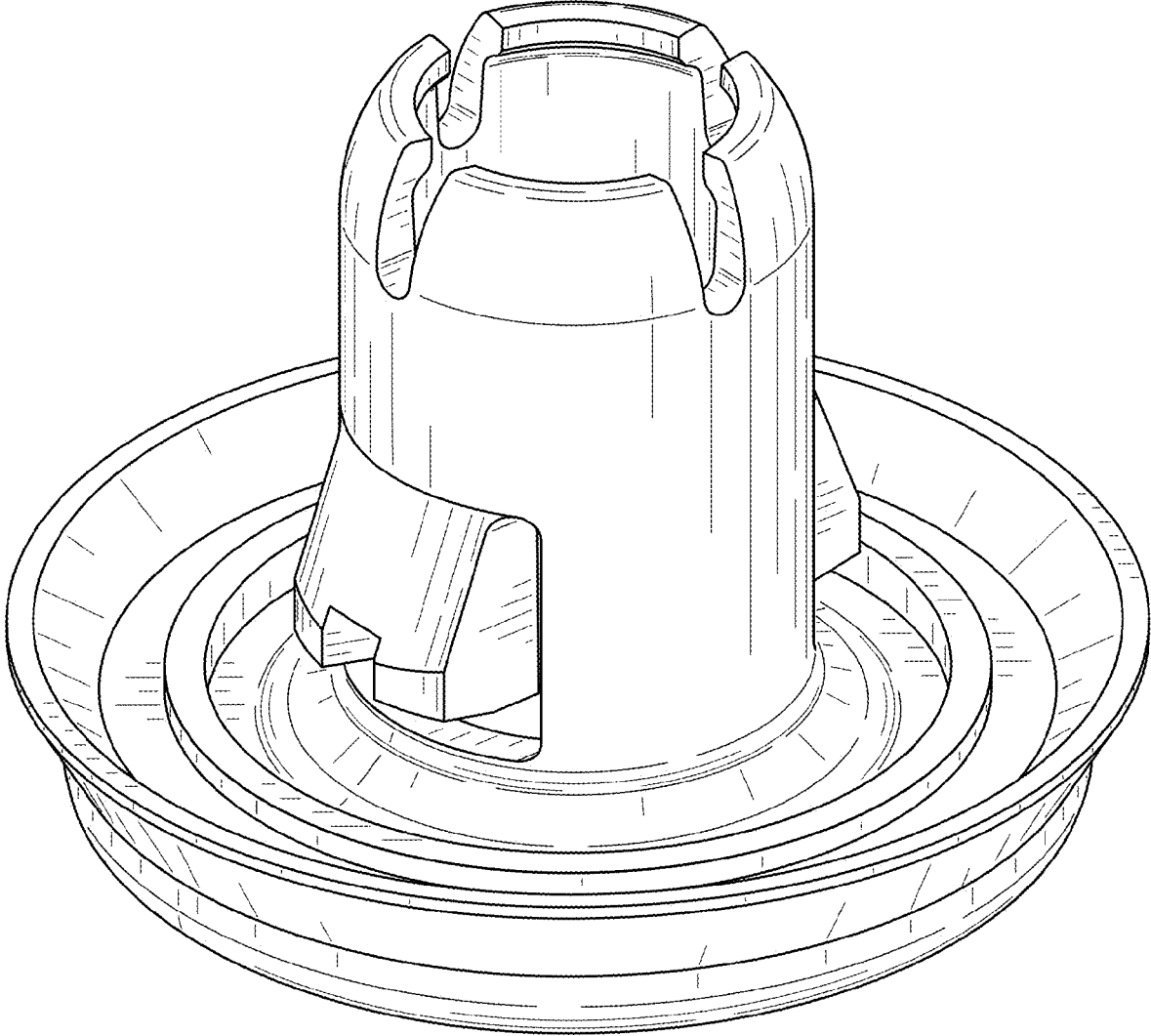


FIG. 1

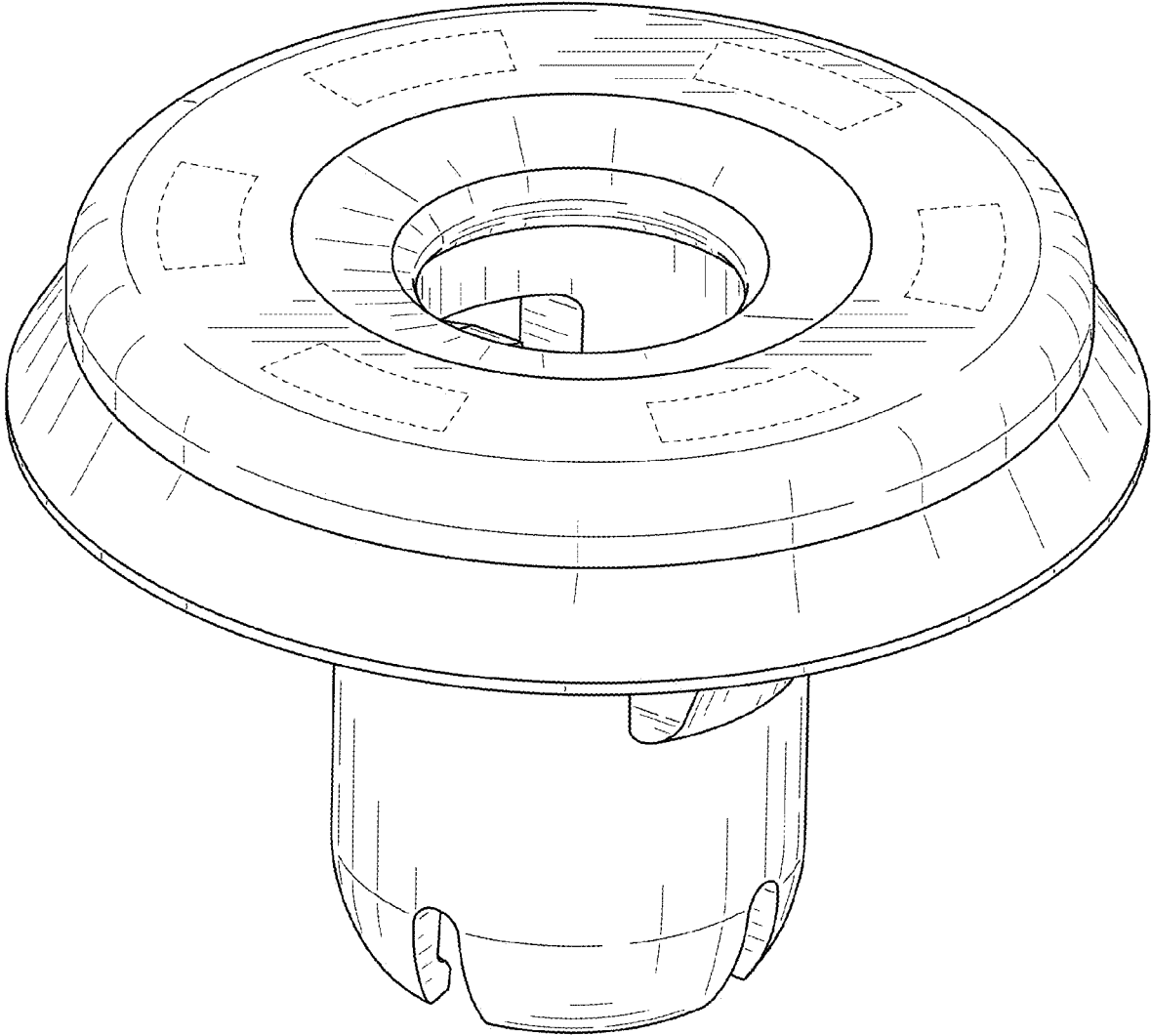


FIG. 2

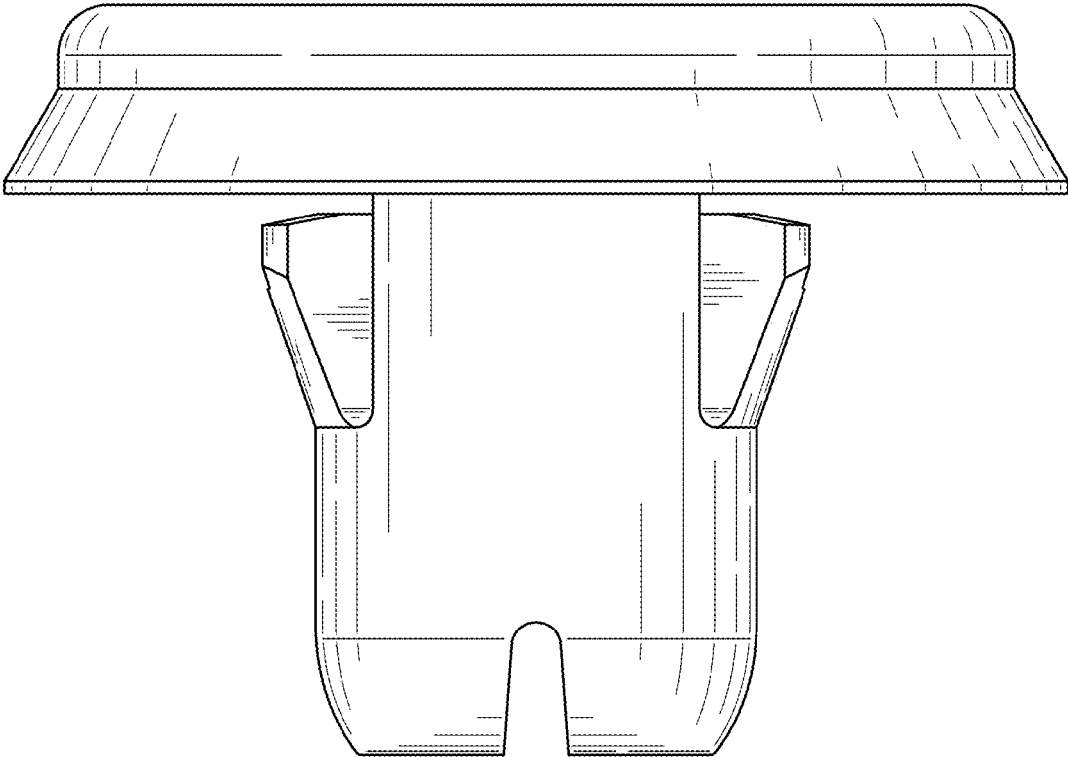


FIG. 3

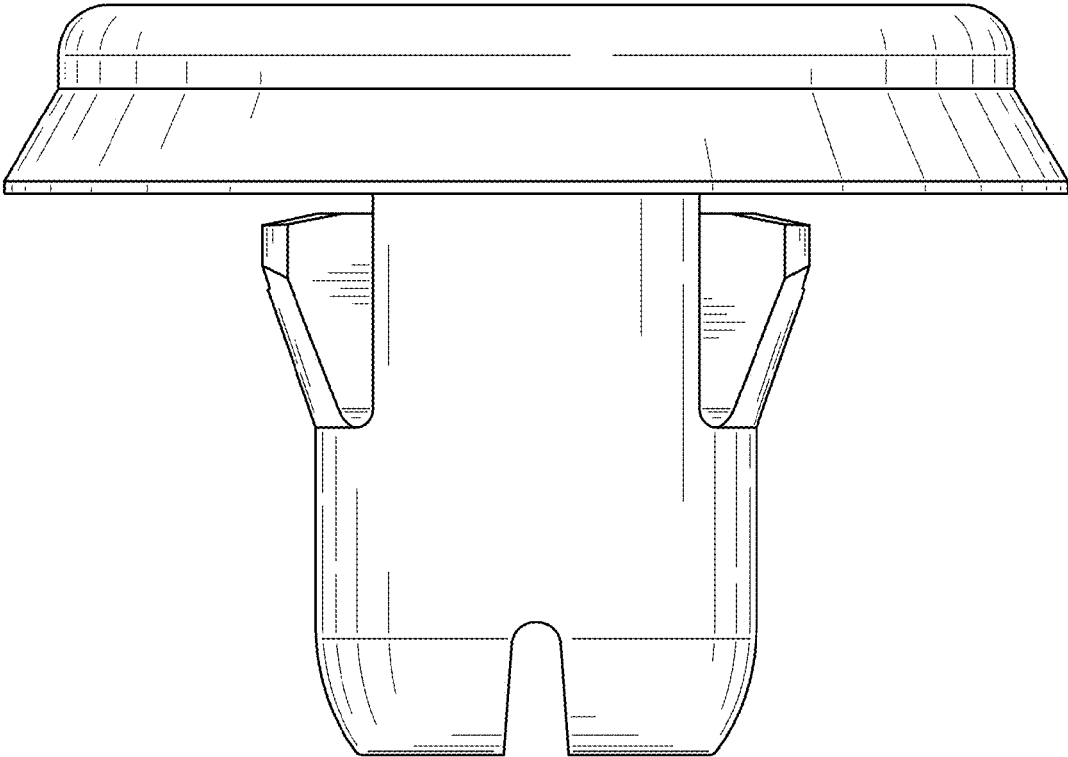


FIG. 4

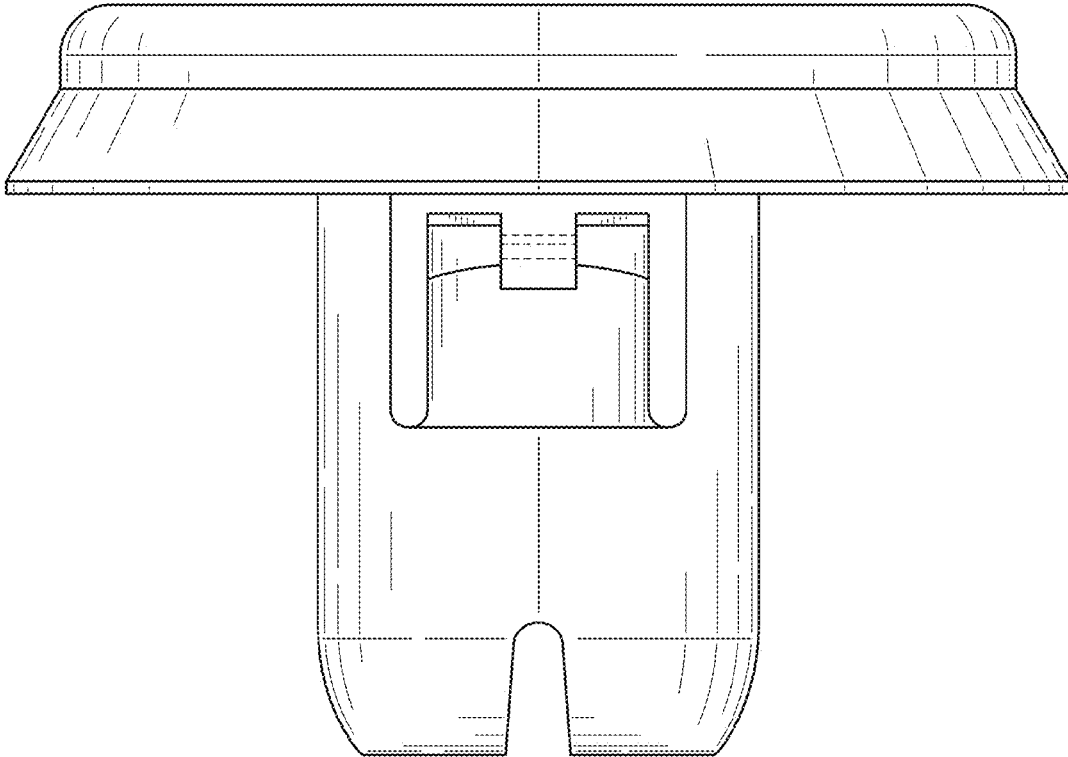


FIG. 5

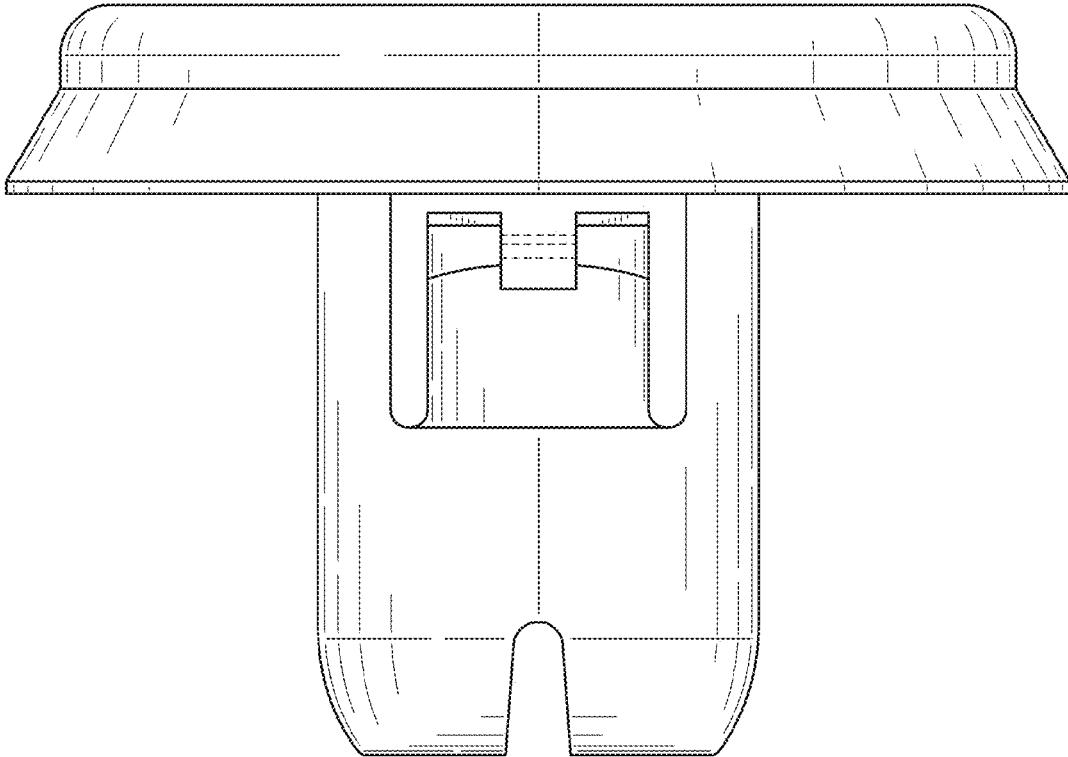


FIG. 6

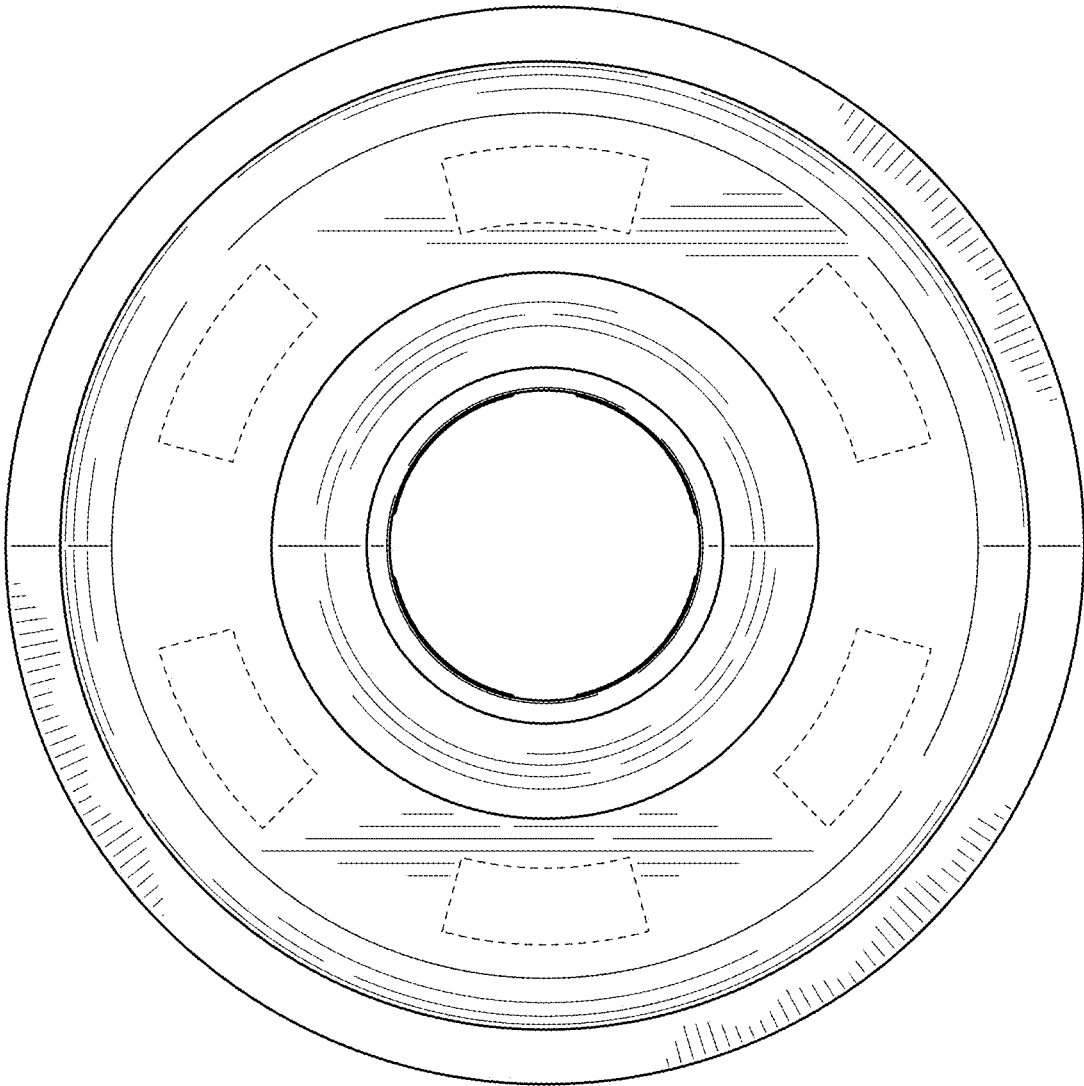


FIG. 7

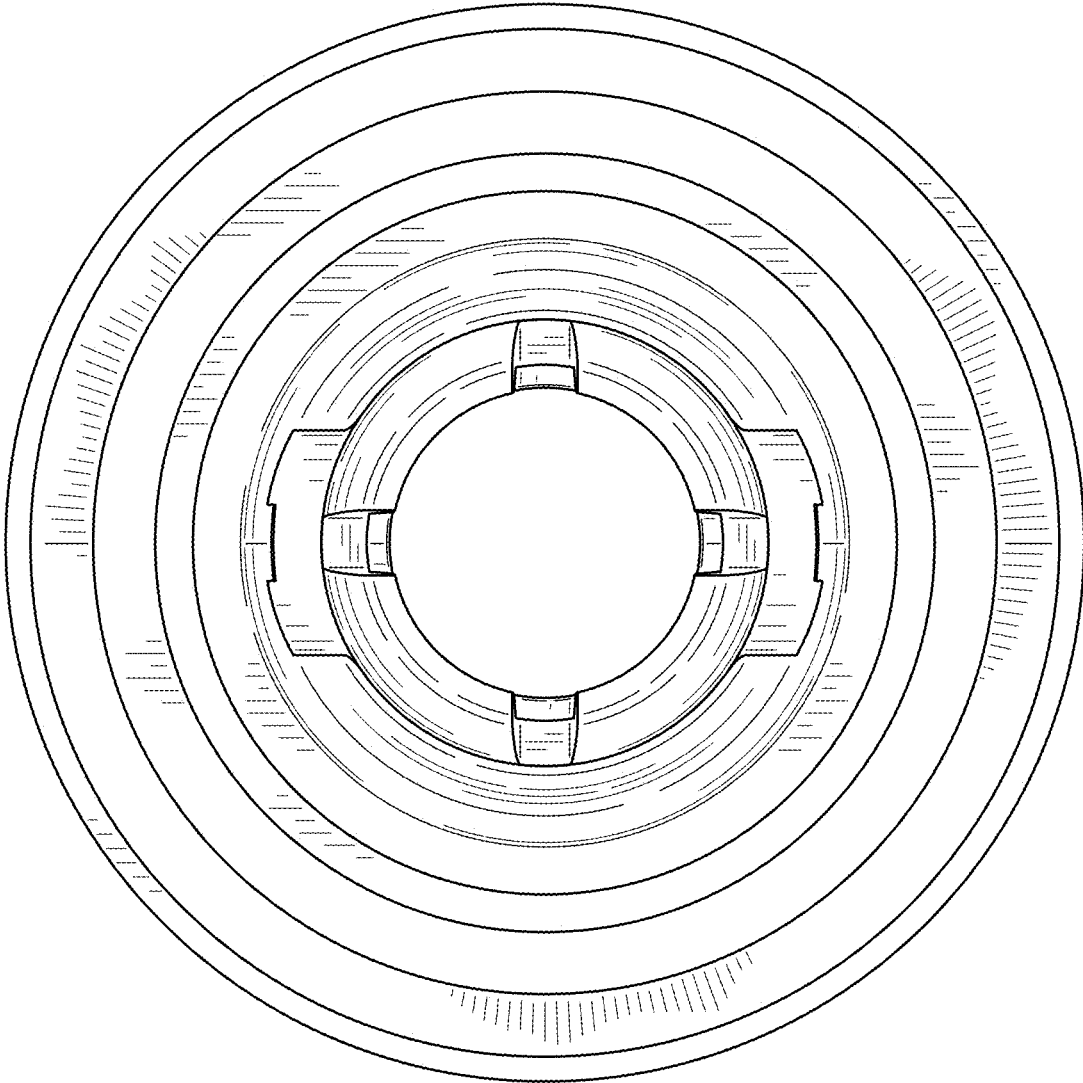


FIG. 8