



(22) Date de dépôt/Filing Date: 1994/07/18

(41) Mise à la disp. pub./Open to Public Insp.: 1996/01/19

(45) Date de délivrance/Issue Date: 2002/09/17

(51) Cl.Int.⁵/Int.Cl.⁵ B65D 30/10

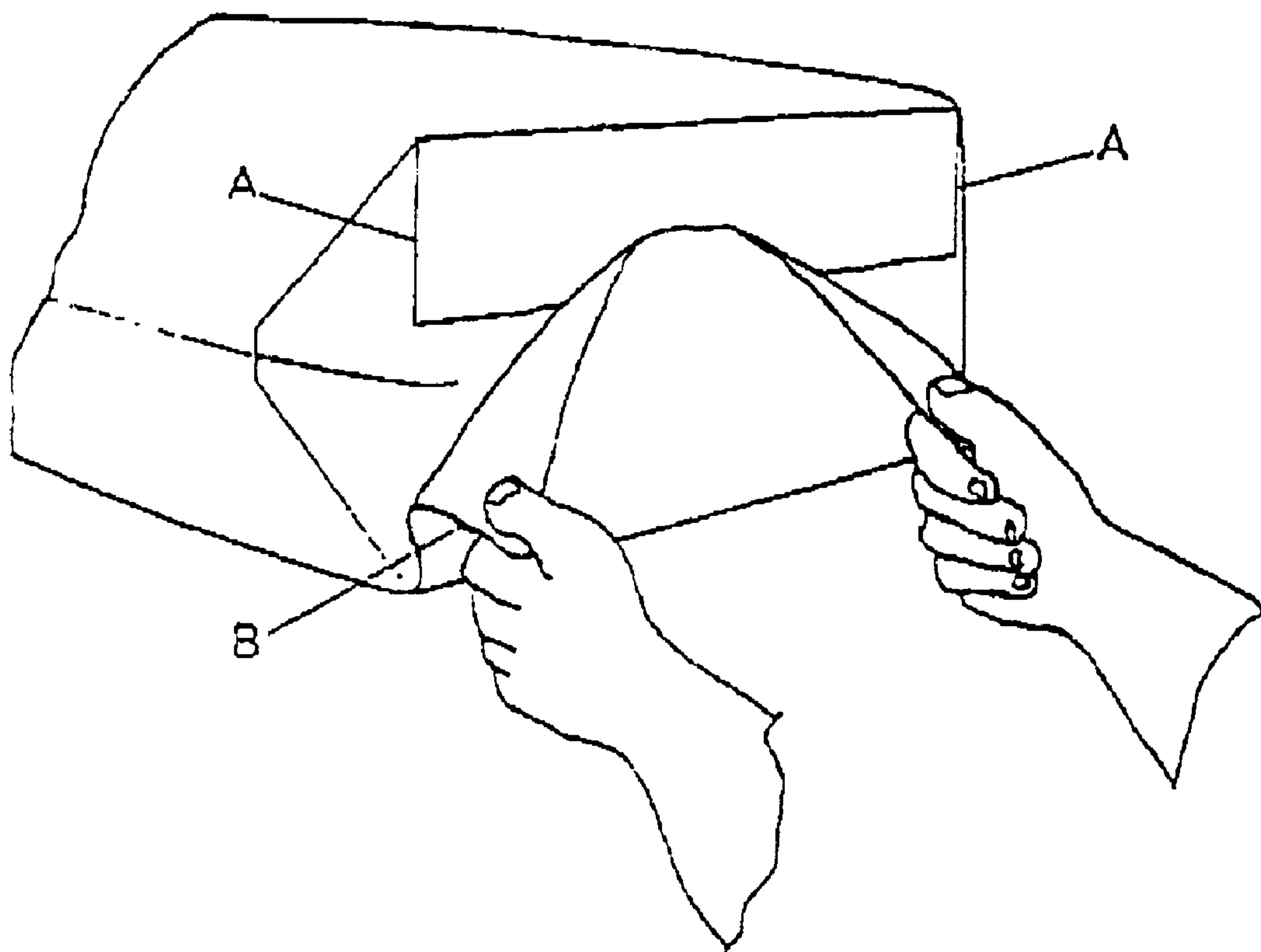
(72) Inventeurs/Inventors:
Steele, Raymond G., NZ;
Grace, Stephen J., NZ;
Robinson, John F., NZ;
Haussrer, Andreas K., NZ;
Brown, Eric J., NZ;
Kane, Michael J., NZ;
MacFarlane, Allan P., NZ;
Allerby, Ian M., NZ

(73) Propriétaire/Owner:
STONE CONTAINER CORPORATION, US

(74) Agent: GOWLING LAFLEUR HENDERSON LLP

(54) Titre : SAC A PAROIS MULTIPLES

(54) Title: MULTIWALL BAG



(57) Abrégé/Abstract:

A container apparatus and method of manufacture for same, in which the container includes an inner tube formed of plastics material, and an outer tube of one or more plies of material. The container is generally configured to lie flat, when in its unfilled condition. The container has a flat first end formed from flap members configured from one or more plies of the outer tube. The container is advantageously configured to enable opening of the first end of the outer tube to provide access to the inner tube.



S P E C I F I C A T I O N

2128261

MULTIWALL BAG

Abstract of the Disclosure

A container apparatus and method of manufacture for same, in which the container includes an inner tube formed of plastics material, and an outer tube of one or more plies of material. The container is generally configured to lie flat, when in its unfilled condition. The container has a flat first end formed from flap members configured from one or more plies of the outer tube. The container is advantageously configured to enable opening of the first end of the outer tube to provide access to the inner tube.

BACKGROUND OF THE INVENTION

The present invention relates to improvements in and or relating to bags of multiple plies, apparatus for manufacturing same, methods of manufacturing same, uses thereof and related means and methods.

Many forms of bag containers formed of multiple plies are known. Many of these are in the form of a multiwall bag sometimes with a plastics material inner liner. The present invention is directed to improvements in such a container and is adapted to provide at least some customer choice in relation to containers of that type.

A prior art form of construction is that as hereinafter described and the present invention is preferably directed to a form of such container where no base patch is required that is separate from the plies of the outer tube of such a container and/or which, upon opening, will minimize loose pieces of material.

It is, therefore, an object of the present invention to go at least some way to meet the above-mentioned objects or at least provide the public with a useful choice.

SUMMARY OF THE INVENTION

In a first aspect the invention consists in a lie flat container (e.g. a bag) having a tube (extruded or fabricated) of a sealable plastics material (hereafter "the inner tube") disposed within an exterior tube (hereafter "the outer tube"), each tube having been formed of at least one web of a planar material (preferably paper or multiple plies of paper), the same end (hereafter the "first" or "factory" end) of each of the inner tube and outer tube being separately closed while the other end of each of the inner tube and outer tube is open (hereafter the "second" or "customer" end) to allow the filling of the inner tube prior to the sealing thereof, and wherein, in its lie flat, unfilled condition, each tube simply lies as a simple fold connected front and back panel except at the factory end where the outer tube at least has been conformed from factory end regions of the front and back panels of the outer tube to a substantially planar base region disposed in a lie flat condition over one or other of the front or back panels of the outer tube, said outer tube at said factory end being held closed at least primarily by overlying flaps from the factory end extremity of each of the front and back panels, the flaps while adhered one to the other being capable of being peel separated so that, in use, if desired, the filled and sealed inner tube, if not permanently attached to the outer tube at the customer end, can be removed from the factory end after the peel separation of the flaps to allow opening of the outer tube at the factory end.

In a preferred embodiment of the invention, the container is in the form of a bag, with the exterior tube being formed from paper, preferably from multiple plies of paper. Preferably, the inner tube at the customer end is adhered at least in a tack manner to the outer tube at the customer end to facilitate filling of the inner tube.

Preferably one or both of the flaps is of a multiple ply construction.

Preferably the overlying flap of the base at the factory end is of a multiple ply and part of one ply of the overlying flap is adhered to the factory end of the inner tube while the factory end of the inner tube is adhesively associated with at least one ply of the underlying flap.

Preferably the container operates such that, when lying substantially horizontally, the overlying flap of the base can be lifted by a person using one or two hands, the container then being movable to a condition where the base is directed downwardly and the weight of the contents in the inner tube will allow the dropping free thereof from the outer tube or the lifting free of the outer tube from the inner tube or a combination of both by breaking associations and/or adhesive associations without releasing any substantial loose pieces of material from the outer tube and/or inner tube.

The container is preferably substantially rectangular in form.

Preferably the outer tube is substantially as hereinafter described with reference to any one or more of the accompanying drawings.

In another aspect the invention is a container substantially as hereinafter described with reference to any one or more of the accompanying drawings other than Figures 3A, 3B and 3C.

In still a further aspect the invention consists in a method of forming a lie flat container having a tube of a sealable plastics material (hereafter "the inner tube") disposed within an exterior tube (hereafter "the outer tube"), each tube having been formed of at least one web of a planar material, the same end (hereafter "the factory end") of each of the inner tube and outer tube being separately closed while the other end of each of the

inner tube and outer tube is open (hereafter "the customer end") to allow the filling of the inner tube prior to the sealing thereof, and wherein, in its lie flat, unfilled condition, each tube simply lies as a simple fold connected front and back panel except at the factory end where the outer tube at least has been conformed from factory end regions of the front and back panels of the outer tube to a substantially planar base region disposed in a lie flat condition over one or other of the front or back panels of the outer tube, said outer tube at said factory end being held closed at least primarily by overlying flaps from the factory end extremity of each of the front and back panels, the flaps while adhered one to the other being capable of being peel separated so that, in use, if desired, the filled and sealed inner tube, if not permanently attached to the outer tube at the customer end, can be removed from the factory end after the peel separation of the flaps to allow opening of the outer tube at the factory end, which method comprises the steps of:

advancing a feed of a inner tube and a outer tube, the inner tube being within the outer tube,

heat sealing the factory end of the advanced inner tube,

spreading the factory end of the advanced outer tube out together with part of the sealed factory end of the inner tube to define a lie flat base but from which extends in opposite directions (parallel to the locus of advancement) said flaps of the base and

thereafter adhesively inter-engaging said flaps, the completed lie flat container structure being a discrete item after, if necessary, a cutting of the feeds of material at the customer end.

Preferably said method involves the use of one or several plies of a paper from which the outer tube is to be formed, a tubular plastics material from which the inner tube is formed,

forming the outer tube about the inner tubular material, making appropriate perforations and/or cuts as well as a heat seal to close the inner tube of the plastics material and sequentially adhesive closing the factory end of the outer tube in the manner determinable by reference to any of the accompanying drawings other than Figures 3A, 3B and 3C.

In still a further aspect the invention consists in a method of forming a container substantially as hereinafter described when performed substantially as hereinbefore described with reference to any one or more of the accompanying drawings.

In a further aspect the invention is any container of the present invention when the inner tube has been filled with a material and the inner tube is sealed at the customer end and the outer tube is also sealed at the customer end.

The material with which the inner tube is filled is preferably a powder or liquid.

In a further aspect the invention consists in a method of handling a material capable of being poured selected from a powder, liquid or discrete items, such as granules, which involves the operative use of a lie flat container of the present invention and/or one produced by a method of the present invention and/or the opening and removal of a filled inner tube from the outer tube thereof that has been sealed at the customer end.

In a further aspect the invention is a method of handling a material when performed substantially as hereinafter described with reference to the accompanying drawings.

The invention consists in the foregoing and also envisages constructions of which the following gives examples.

BRIEF DESCRIPTION OF THE DRAWINGS

Figures 1A through 1E show the factory end of a preferred bag like container in accordance with the present invention;

Figure 1A shows a bag, according to the present invention, substantially lying flat, presenting the base region for opening;

Figure 1B shows the bag according to Figure 1A, in which the outer flap of the base region is being pulled so as to separate the adhesively fixed overflap from the other flap;

Figure 1C shows the full opening of the outer flap;

Figure 1D goes the next stage where the bag is about to be lifted upright;

Figure 1E shows the bag when lifted upright with the inner tube full of a powder or liquid material fall free of the outer tube notwithstanding any slight adhesive or other tacking of the inner tube to the factory end of the outer tube;

Figures 2A to 2C show the final folds together with adhesive regions giving rise to the base region connected by gussets to the front and rear panels of the outer tube as shown in Figure 2C, it not mattering whether or not the base regions lies flat over what might be considered a front or back panel;

Figures 3A to 3C are similar to those of Figures 2A to 2C but are in relation to a prior art arrangement whereby there is a separate flap adhesively secured to the plies of material from which the outer tube has been made;

Figure 4 is a view of the factory end of the outer tube prior to its condition as in Figure 2A but from the side as depicted in Figure 2A;

Figure 5 is a view of the factory end as shown in Figure 2C

but from the other side;

Figure 6 is similar to Figure 4 but showing the factory end from the other side;

Figure 7 is a tipped over, inside view of the factory end side shown in Figure 6;

Figure 8 is the tipped over, inside view of the factory end side shown in Figure 4; and

Figures 2AA to 2CC show a slightly different embodiment to the form as shown in Figures 2A to 2C, this different embodiment providing for a greater glued flap overlap.

DETAILED DESCRIPTION OF THE DRAWINGS

While this invention is susceptible of embodiment in many different forms, there is shown in the drawings and will be described herein in detail, several embodiments, with the understanding that the present disclosure is to be considered as an exemplification of the principles of the invention and is not intended to limit the invention to the embodiments illustrated.

The preferred container as depicted in the enclosed drawings is preferably formed using an adaption of existing continuous multiple ply walled manufacturing apparatus. Preferably the outer tube is formed from multiple plies of paper preferably with staggered ends developed by appropriate cutting and/or perforation and any necessary separation procedures all of which are known in the art.

The present invention differs significantly from the prior art form of multiple ply bags with a plastic liner bag which had a separate base patch provided on the outer tube as depicted in Figures 3A to 3C as previously supplied to the New Zealand Dairy Board, which adds complexity to manufacture and/or at least cost thereto and/or minimizes the re-use that customers of the end product may make of the resulting bag. In this respect it should be realized that in some third world countries the outer tube, once emptied, forms a valuable resource and, therefore, minimization of destruction upon opening is desirable. Moreover a reduction of pieces that become severed from the outer tube during opening desirably should also be minimized.

Preferably the opening of the outer tube and the unloading of the still sealed inner tube is by the sequence of steps as shown in Figures 1A through 1E, all of which are self-explanatory.

The first or factory end of the outer tube is shown in the drawings with the lines A shown for clarity of the drawings being

those cuts A also seen in Figure 4. Likewise lines B are cuts B of Figures 4 and 6.

In the preferred form of the present invention, the outer tube has the gusset connection base region thereof formed from flaps 1 and 2 with flap 2 overlying flap 1 (as can best be seen in Figures 2A through 2C) with the gusseted regions 3 of the lie flat base region over the front or back panel (as the case may be) as in Figure 2C.

Figure 2A shows how the flap 1 has its perimeter regions bounded by the cuts A shown in Figure 4 provided with glue lines 4 while flap 2 includes a glue line 5. The glue lines 4 are not normally broken as can be seen in Figures 1B through 1E prior to the use of gravity to assist in the removal of an inner tube 6 from within the outer tube 6, i.e., the tearing apart as in Figures 1B and 1C leaves the base region in the manner substantially as it was prior to the move during forming from Figure 2B and 2C. There is, however, the difference in that the region 8 shown in Figure 7 has adhesive applied at positions 9 and that flap from one of the inner webs of one panel of the outer tube is adapted to be adhered at points 10 on the sealed inner tube 11 (see Figure 8), the first or factory end of the inner tube being heat sealed along the heat seal line 12. Preferably, there is an adhesive fixing of the inner tube 11 to the other ply also but in an easily releasable manner. This adhesion is denoted by circles 10A and is under the inner tube 11 in Figure 8.

Persons skilled in the art, from the drawings, will appreciate the sequential manner in which the multiply outer tube and the inner tube (11, 6) is formed at its first or factory end. The manner in which first the inner tube and then the outer tube or simultaneously the inner tube and outer tube are sealed, preferably the inner tube with heat sealing, at the customer end

is not relevant to an understanding of the invention but any conventional means might be used. The choice of an envelope grade adhesive capable of being opened as in Figures 1A to 1E is preferred as an appropriate adhesive can ensure total success.

Figures 2AA through 2CC are very similar drawings to Figures 2A through 2C but showing how, with the slightly different arrangement of the staggering of the plies, a greater glued flap area can be provided to provide a stronger adhesive overlap but still be within the scope of the present invention.

The adhesives capable of being utilized in the forming of a bag in accordance with the present invention include the following:

Liquid Adhesives Including: Starches, Dextrines, Polyvinyl Alcohol, Animal, Casein;

Latex Adhesive Including: Natural, Synthetic;

Emulsion Polymers Including: Polyvinyl Acetate Homopolymers, Ethylene/Vinyl Acetate Copolymers, Acrylate/Vinyl Acetate Copolymers, Polyethylene, Amorphous Polypropylene, Polyamide; and

Solvent Based: Polyurethanes, Natural Polymer, Synthetic Polymers, Two Pot Systems.

The use of a container of the present invention provides some, if not all, of the advantages previously referred to.

The construction of the container of the present invention is such that when a filled container is lying substantially horizontally, the overlying flap of the base can be lifted by a person using one or two hands, the container then being movable to a condition where the base is directed downwardly and the weight of the contents in the inner tube will allow the dropping free thereof from the outer tube or the lifting free of the outer tube from the inner tube or combination of both by breaking associations and/or adhesive associations without releasing any substantial loose pieces of material from the outer tube and/or

inner tube. This presumes that the second or customer ends of the inner and outer tubes have not been unreleaseably affixed to one another after filling, by the customer. Ideally, separate sealing of the inner tube at the second end, such as by heat sealing, followed by separate sealing of the outer tube at the second end, would facilitate removal of the filled inner tube in the manner described hereinabove.

The present invention also comprises a method of handling a liquid or granular material, or discrete items, using a container such as described.

The foregoing description and drawings merely explain and illustrate the invention and the invention is not limited thereto except insofar as the appended claims are so limited, as those skilled in the art who have the disclosure before them will be able to make modifications and variations therein without departing from the scope of the invention.

WHAT IS CLAIMED IS:

- 1 -

A lie flat container comprising:

an inner tube of a sealable plastics material, said inner tube having a first end, a second end, a front panel and a back panel;

an outer tube, having a first end, a second end, a front panel and a back panel;

said first end of said inner tube being disposed adjacent said first end of said outer tube;

said inner tube being disposed within said outer tube, each of said inner and outer tubes having been formed of at least one web of a planar material;

said first end of said inner tube and said first end of said outer tube being closed separately from one another, said second end of said inner tube and said second end of said outer tube being open so as to enable the filling of said inner tube prior to sealing thereof;

each of said first and second tubes being operably configured so as to lie substantially flat, when in an unfilled condition, such that said front panels and said back panels lie in substantially flat overlying relation to one another, respectively;

flap members operably formed in at least said first end of said outer tube, said flap members being operably configured to be arranged such that one flap member is in overlying relationship to the other, underlying flap member, to form a substantially planar base region operably configured so as to fold over onto one of said front and back panels of said outer tube, when said container is in an unfilled condition;

said flap members being releasably affixed to one another so

as to enable separation of said flap members to enable opening of said first end of said outer tube, to further enable access to said inner tube.

- 2 -

The container according to claim 1, wherein said container is in the form of a bag.

- 3 -

The container according to claim 1, wherein said inner and outer tubes thereof are formed by extrusion.

- 4 -

The container according to claim 1, wherein said inner and outer tubes thereof are formed by fabrication.

- 5 -

The container according to claim 1, wherein said outer tube is formed from paper.

- 6 -

The container according to claim 5, wherein said outer tube is formed from multiple plies of paper.

- 7 -

The container according to claim 1, wherein said second end of said inner tube is adhered to said second end of said outer tube to facilitate filling of said inner tube.

- 8 -

The container according to claim 1, wherein at least one of the flap members is fabricated of multiple plies of material.

- 9 -

The container according to claim 1, wherein at least one ply of said underlying flap member is adhesively associated with said first end of said inner tube, said overlying flap member at said first end being formed of multiple plies and a portion of one of said multiple plies being adhered to said first end of said inner tube.

-2-

- 10 -

The container accordingly to claim 1, wherein said container has a substantially rectangular cross-section when said inner tube is filled.

- 11 -

A method of forming a container comprising the steps of:
advancing a feed of a substantially flexible inner tube and a substantially flexible outer tube, the inner tube being disposed within the outer tube,

heat sealing a first end of the advanced inner tube,
spreading the first end of the advanced outer tube out together with part of the sealed first end of the inner tube to define a lie flat base;

forming flap members in said first end of said outer tube, said flap members extending in opposite directions from said base, and parallel to the direction of advancement of said inner and outer tubes; and

thereafter adhesively inter-engaging said flap members, beyond the sealed end of the inner tube, in such a manner that the flap members may thereafter be peel-opened so as to permit access to the inner tube without substantially damaging the outer tube,

said inter-engaging of said flap members of said outer tube occurring without interlocking affixation of the first end of said inner tube to the first end of said outer tube.

- 12 -

The method according to claim 11, further comprising the step of:

cutting the feeds of material at respective second ends of said inner and

outer tubes, to form a discrete flat container structure.

- 13 -

The method according to claim 11, further comprising the step of:

forming the inner tube from a plastics material.

- 14 -

The method according to claim 11, further comprising the step of:

forming the outer tube from one or more plies of paper material.

- 15 -

The method according to claim 11, further comprising the steps of:

filling said inner tube;

sealing said second end of said inner tube;

sealing said second end of said outer tube.

- 16 -

The method according to claim 15, wherein said step of filling said inner tube further comprises filling said inner tube with one of the following materials: a powder, a liquid.

2128261

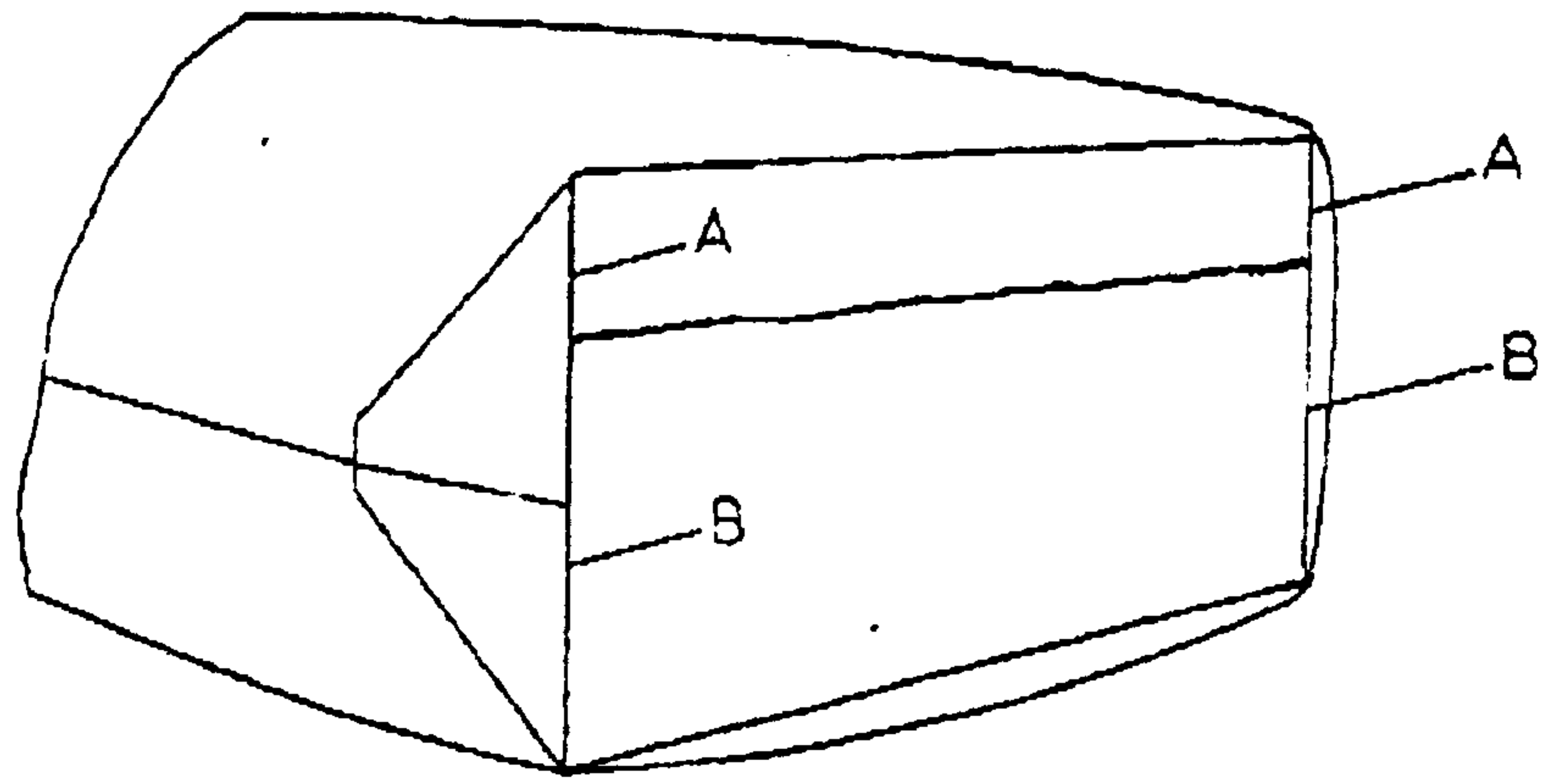


FIG 1A

FIG 1B

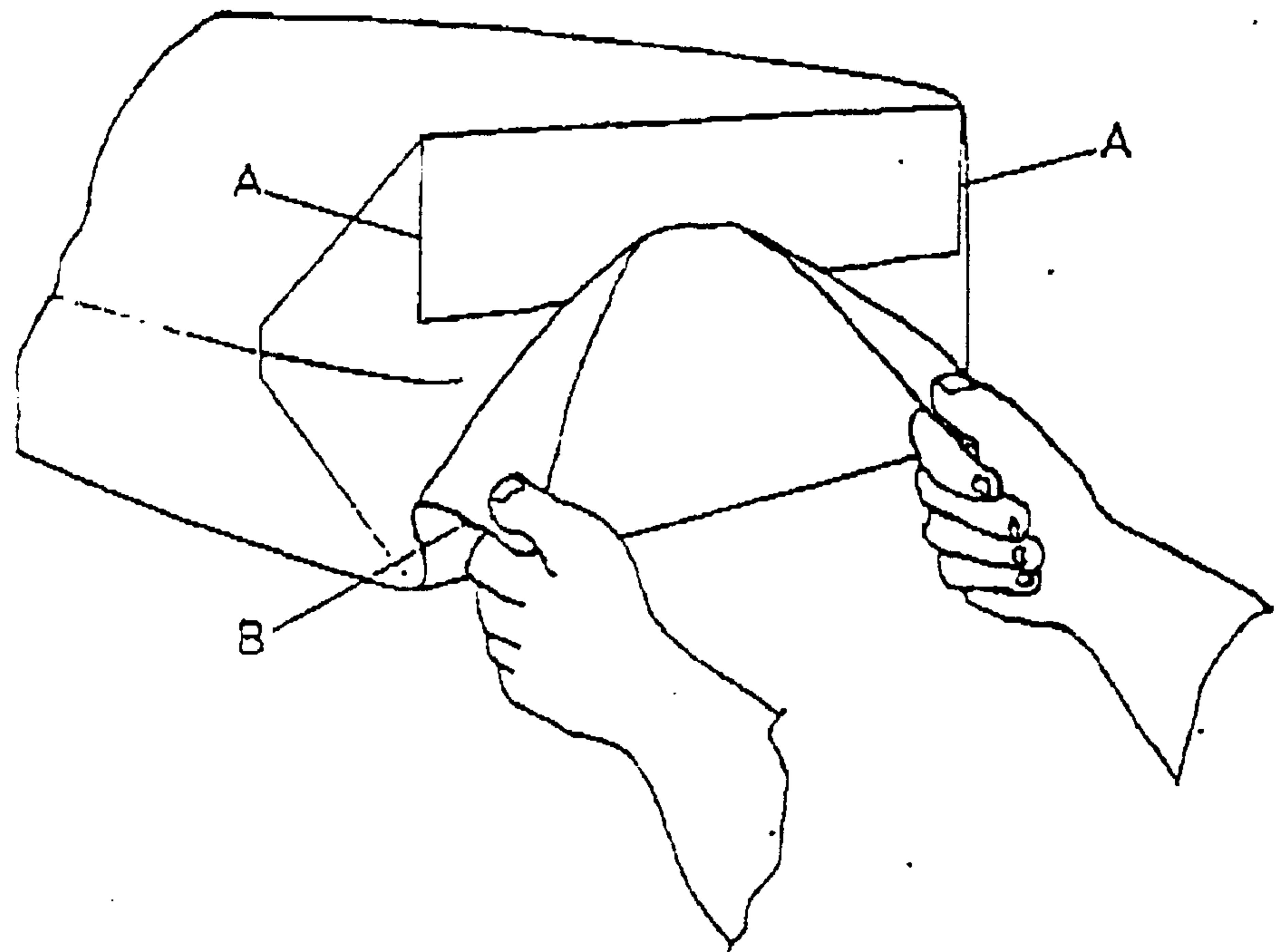


FIG 1C

2128261

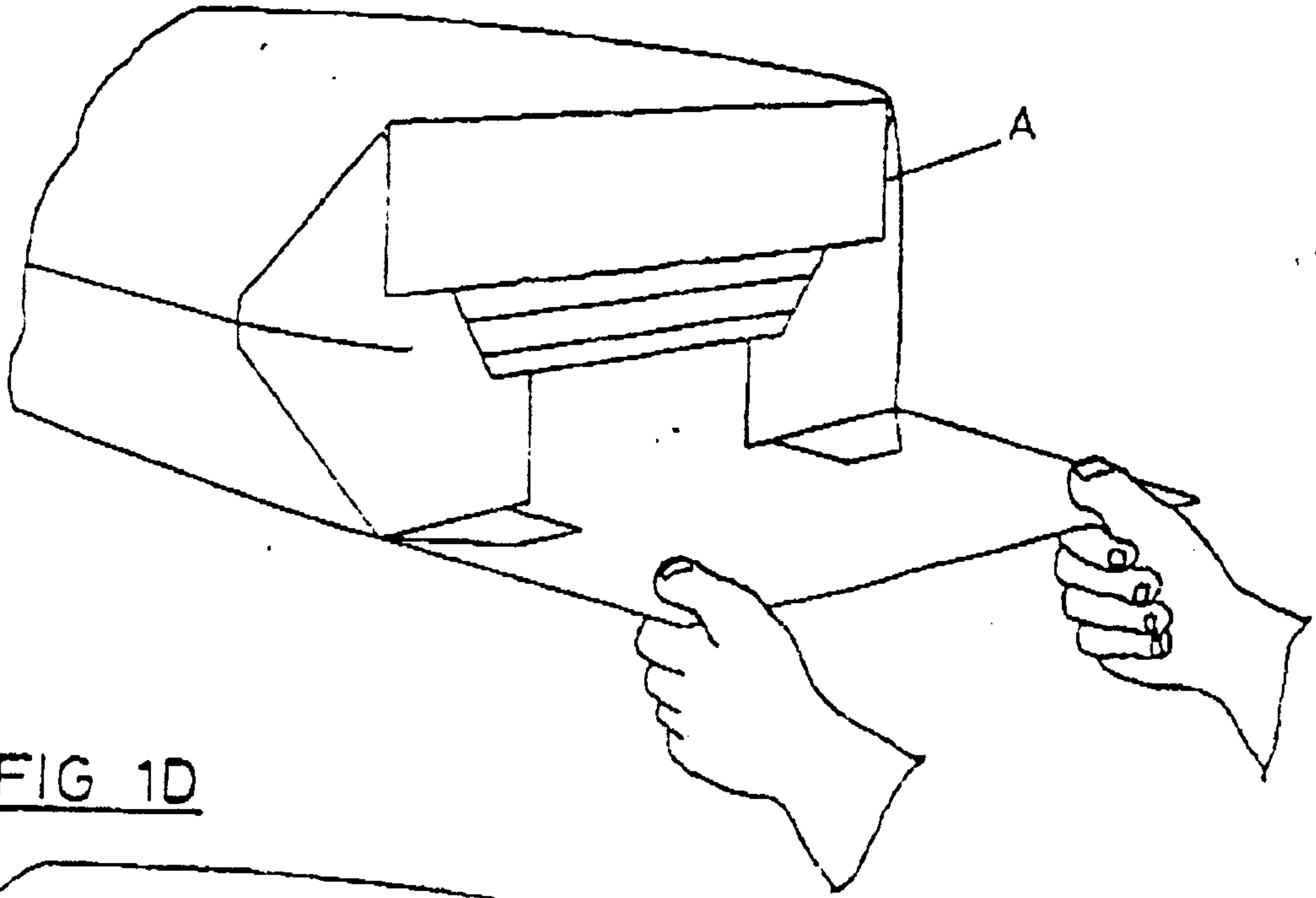


FIG 1D

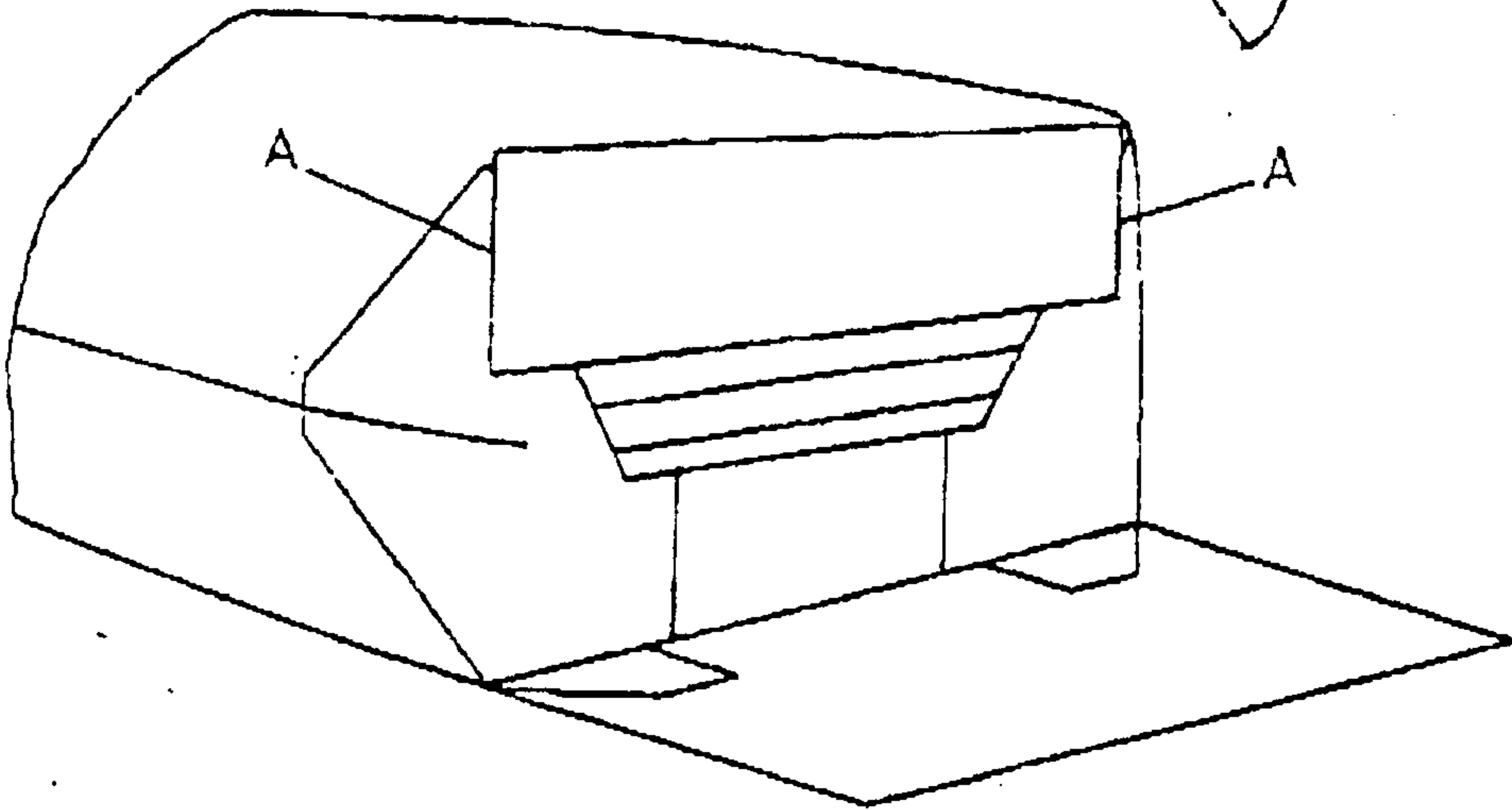
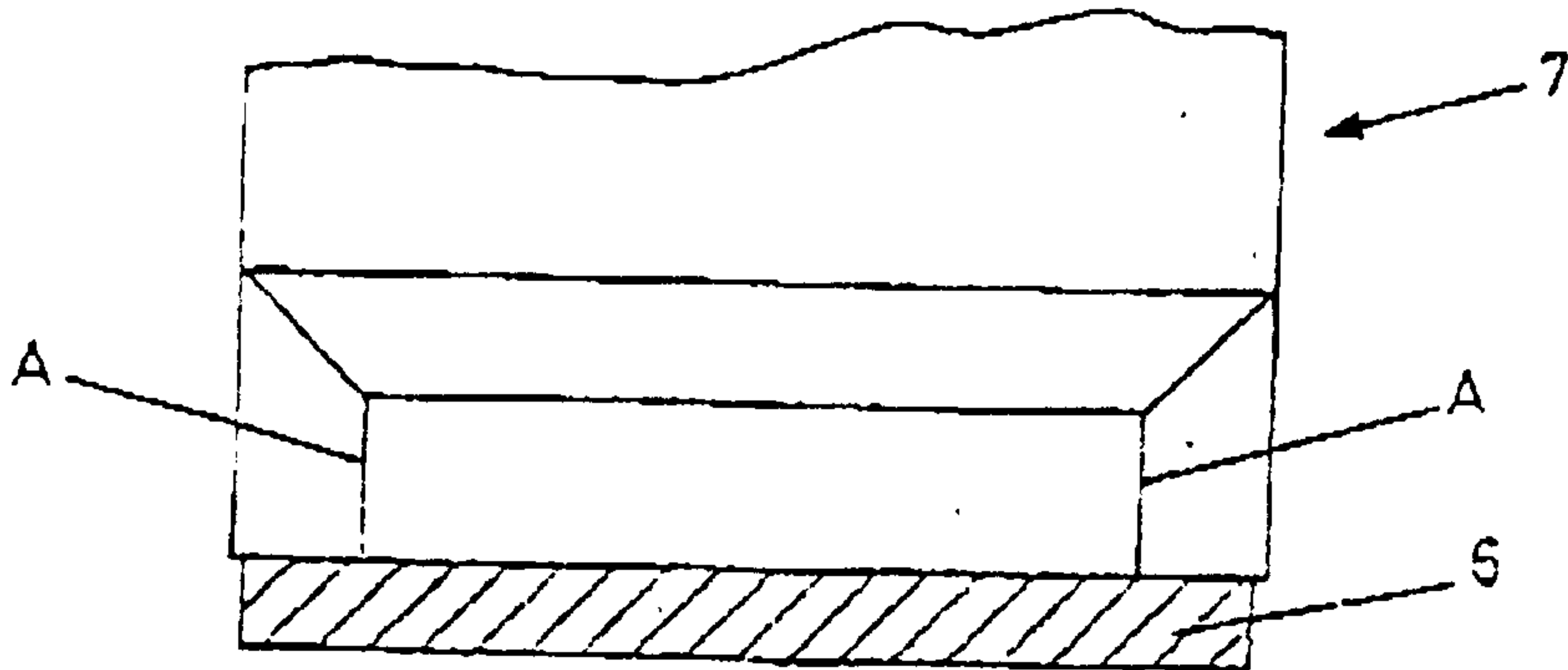


FIG 1E



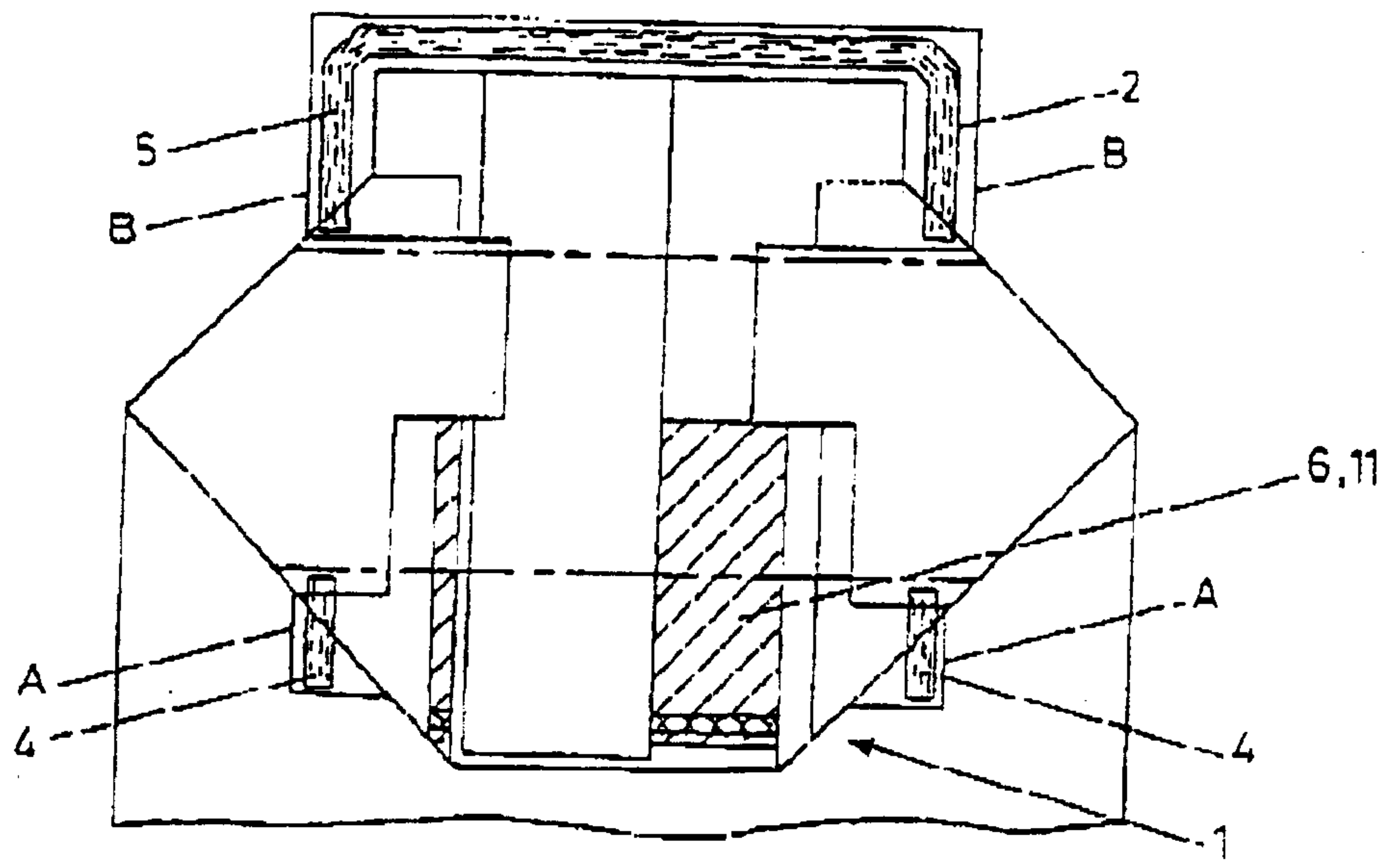


FIG 2A

FIG 2B

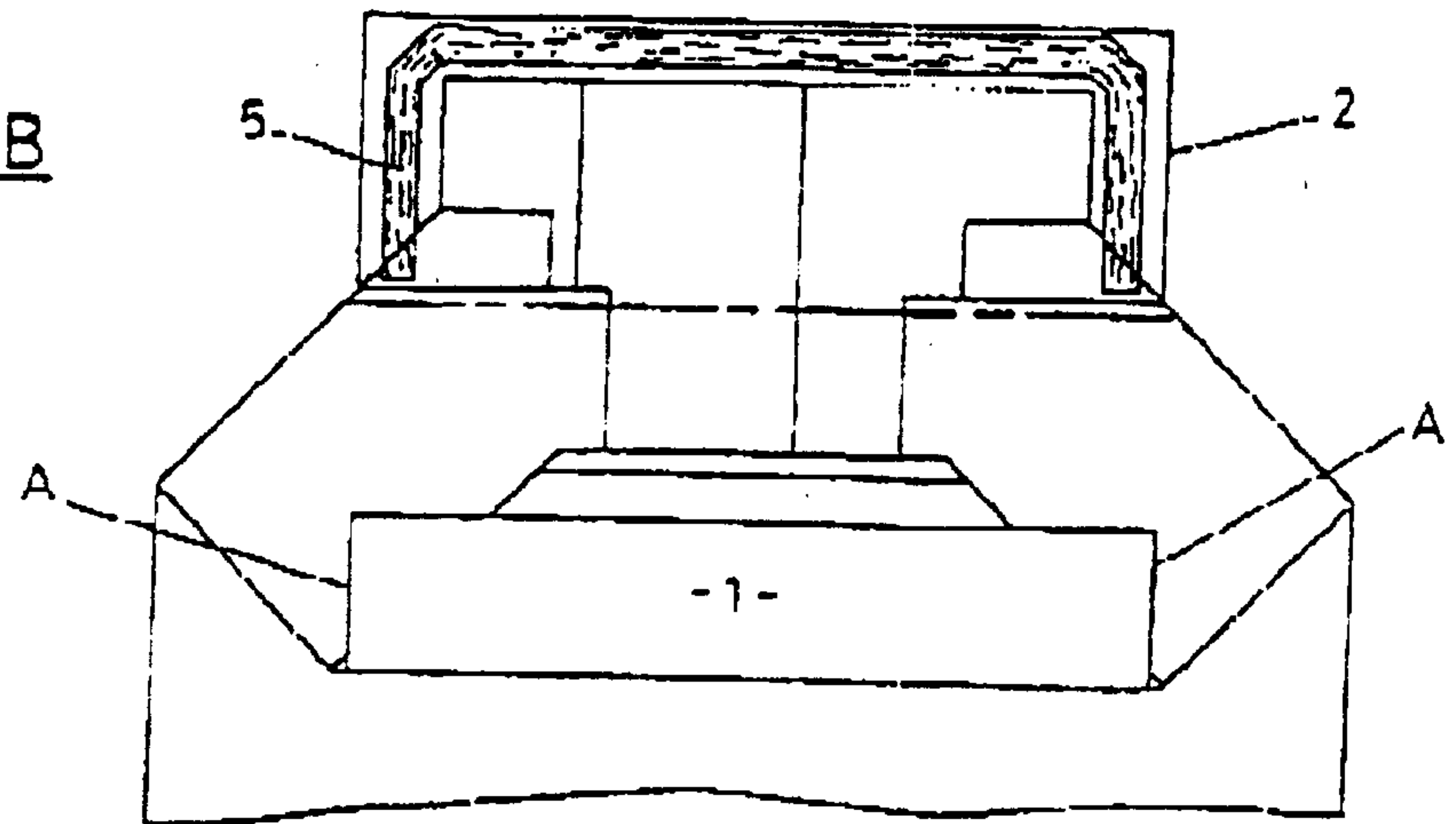
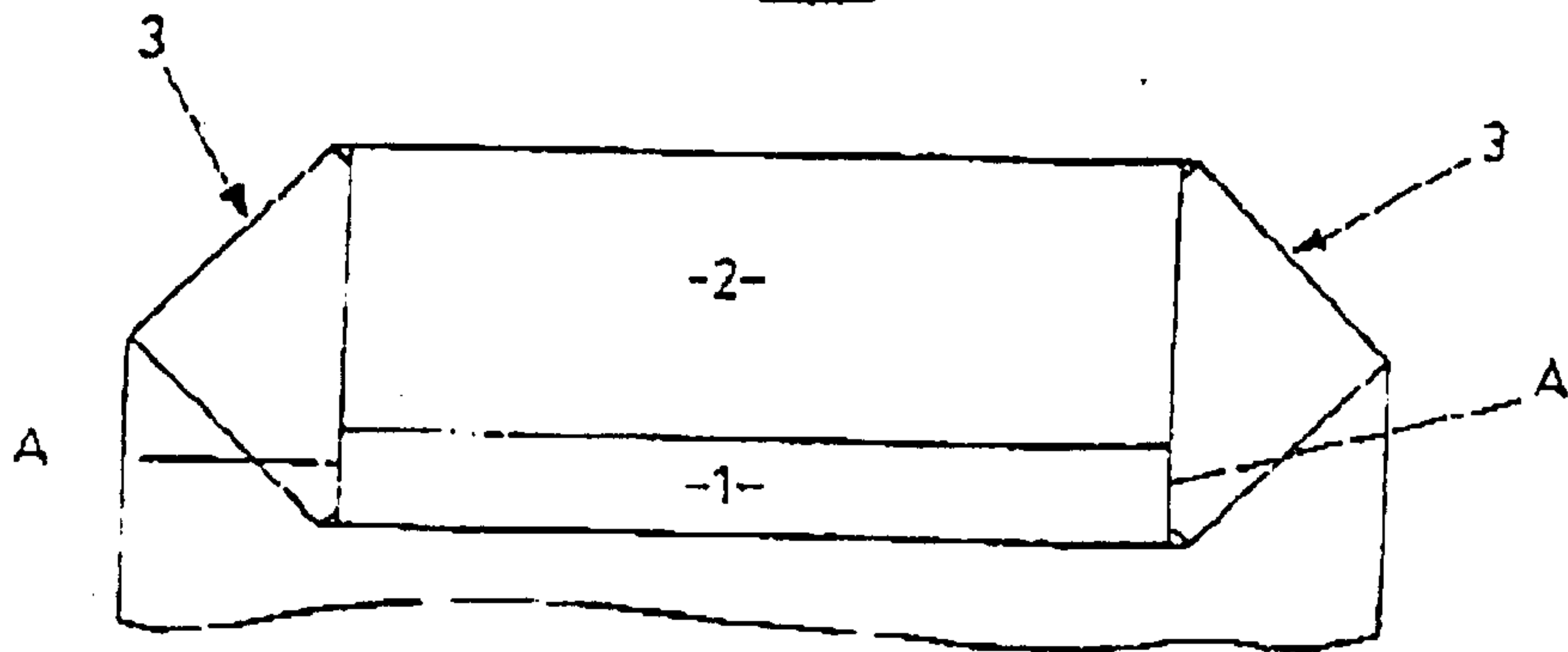
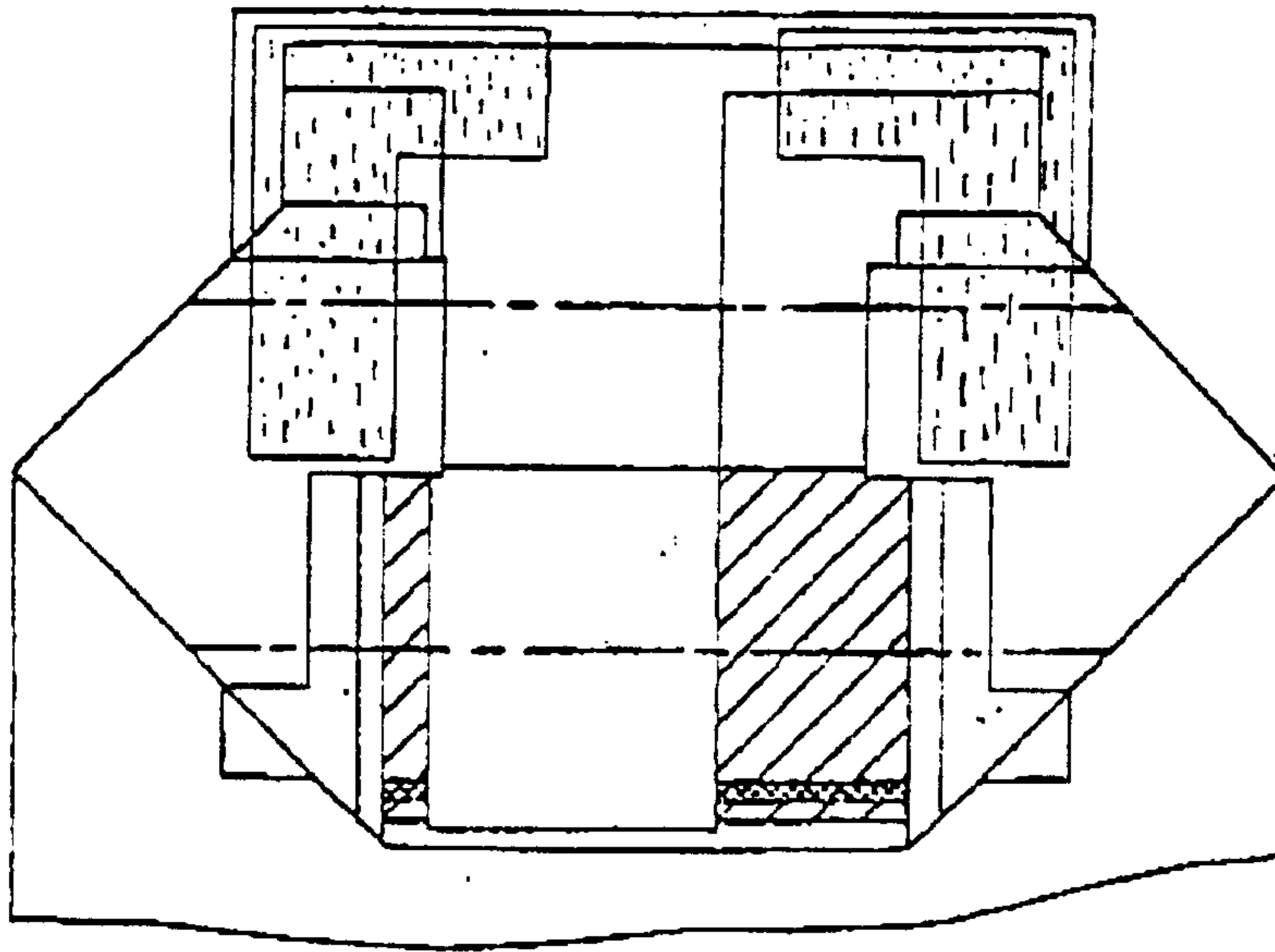


FIG 2C

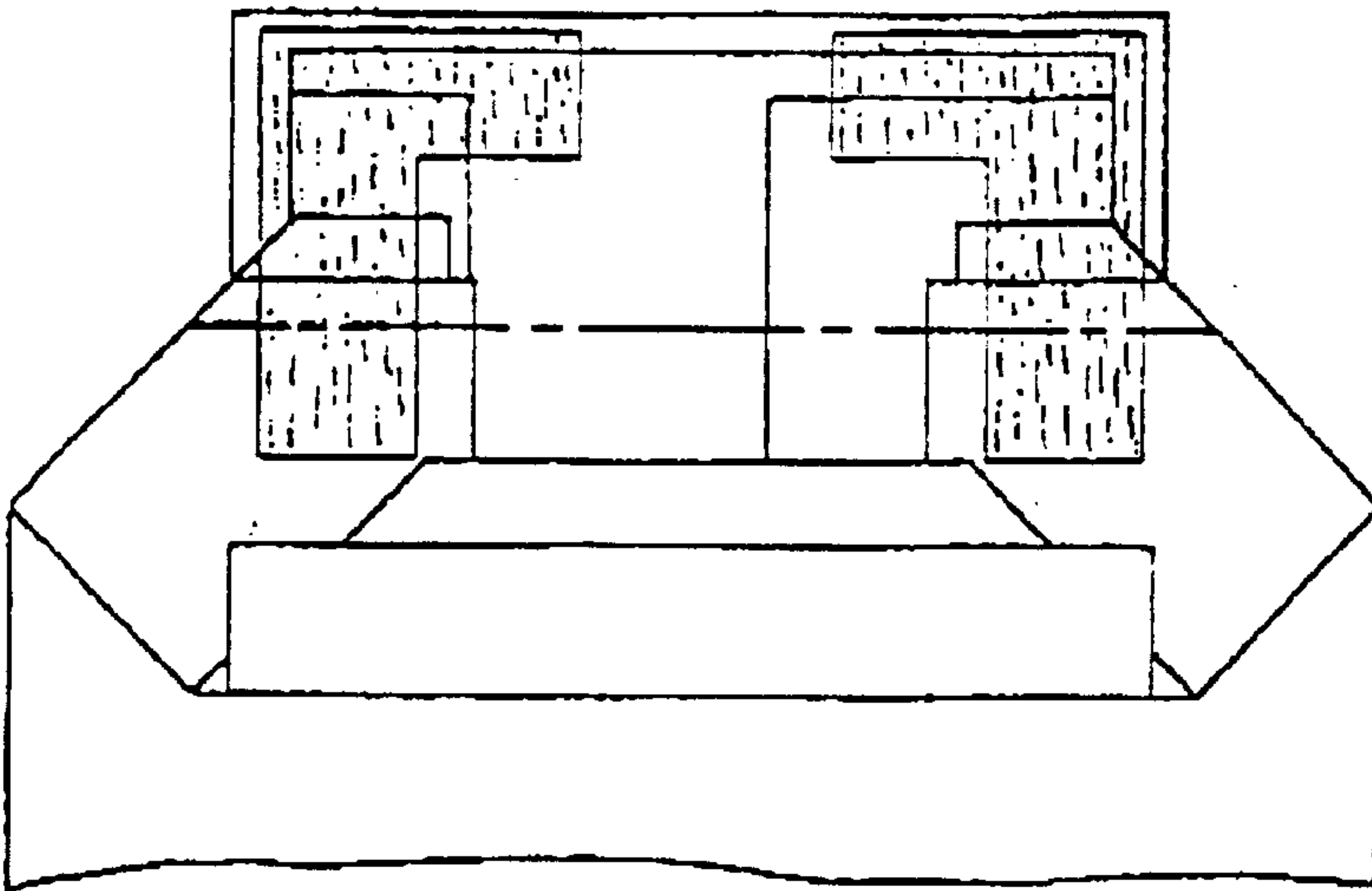


2128261



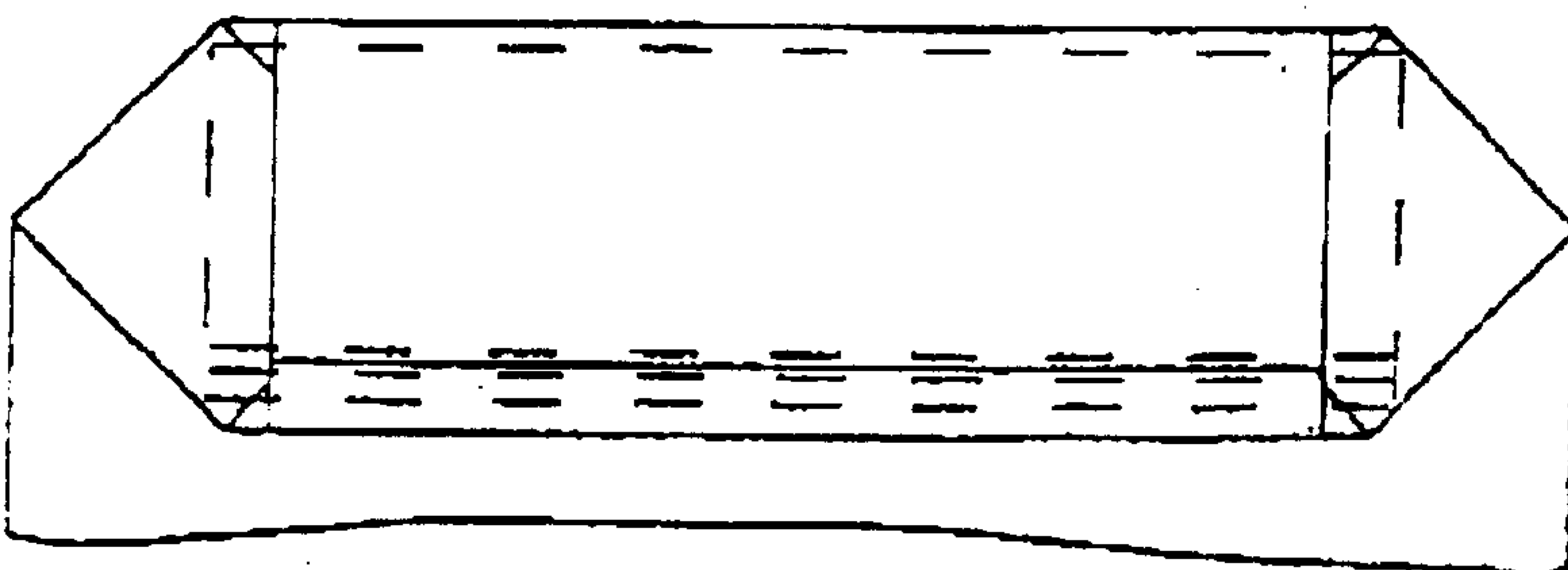
PRIOR ART

FIG 3A



PRIOR ART

FIG 3B



PRIOR ART

FIG 3C

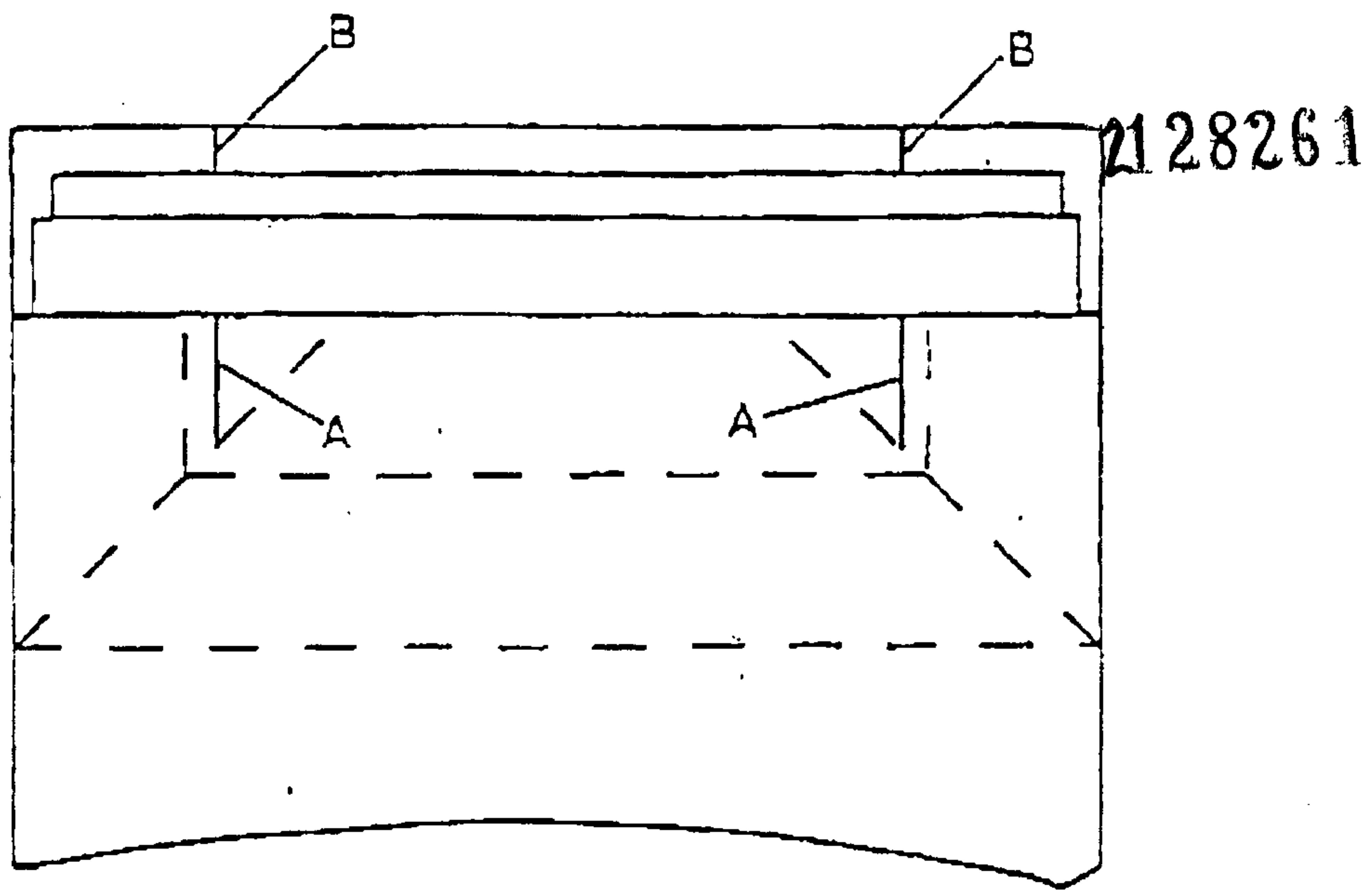


FIG 4

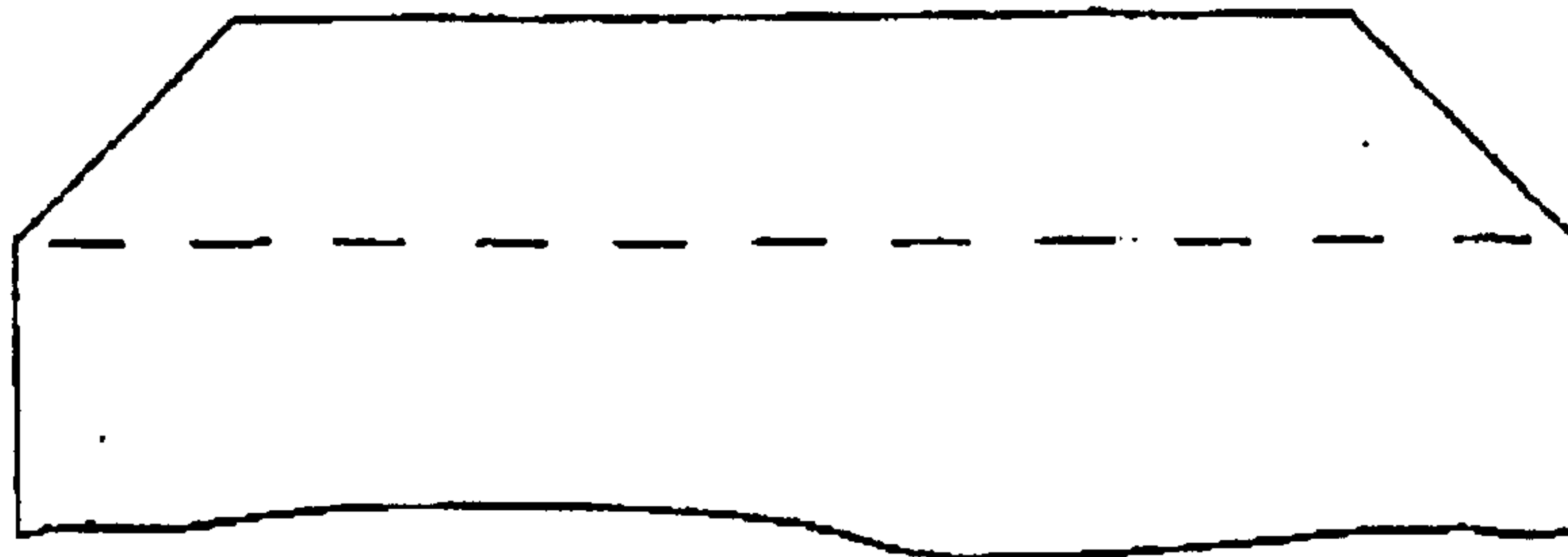


FIG 5

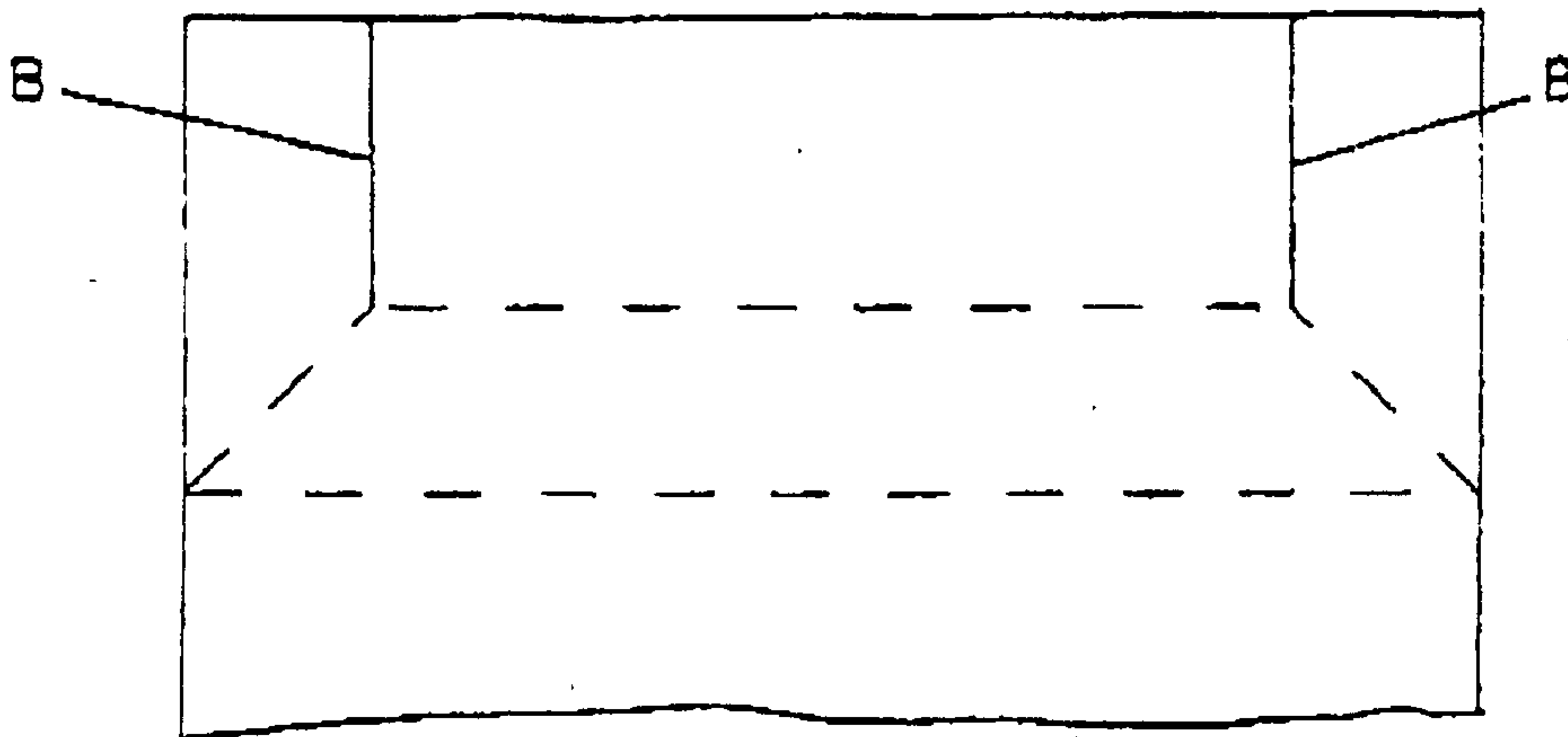


FIG 6

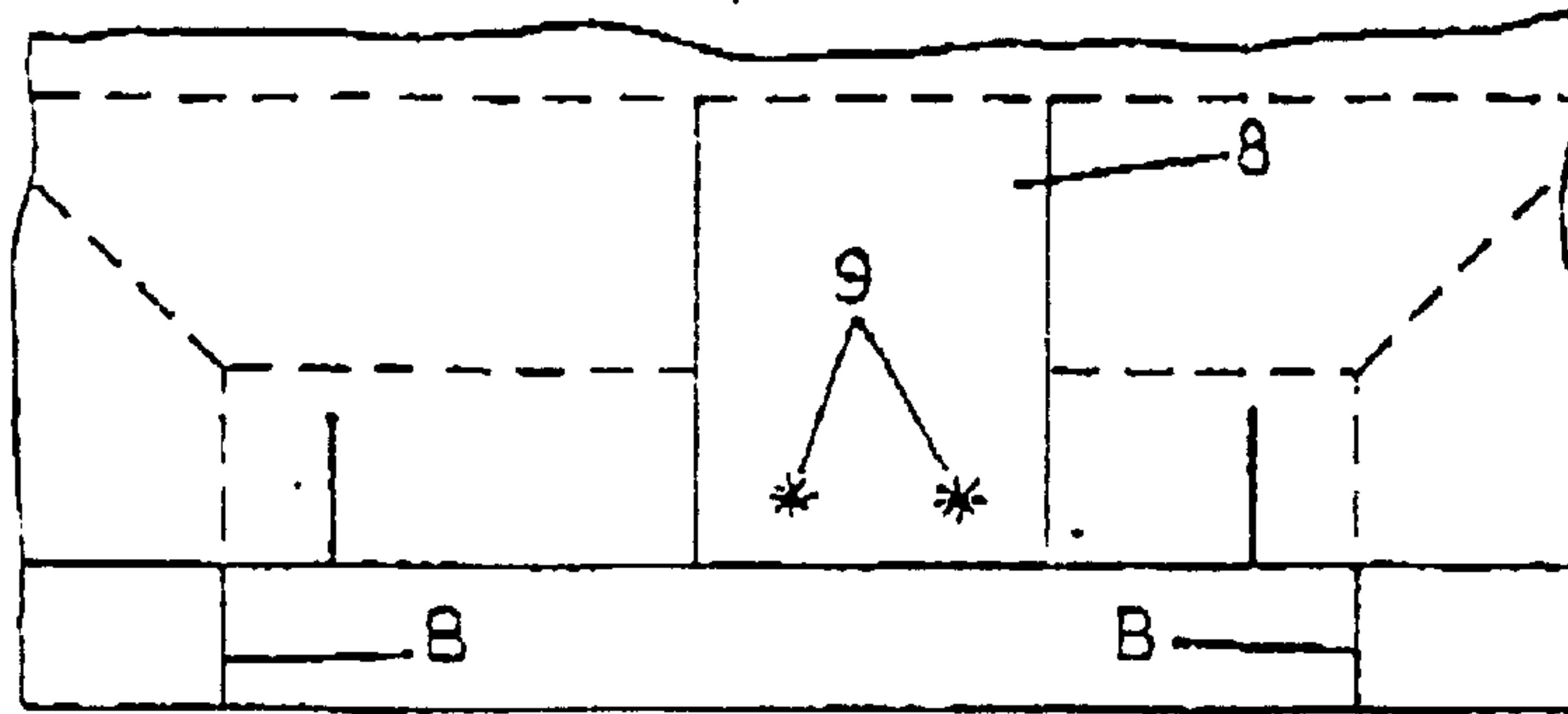


FIG 7

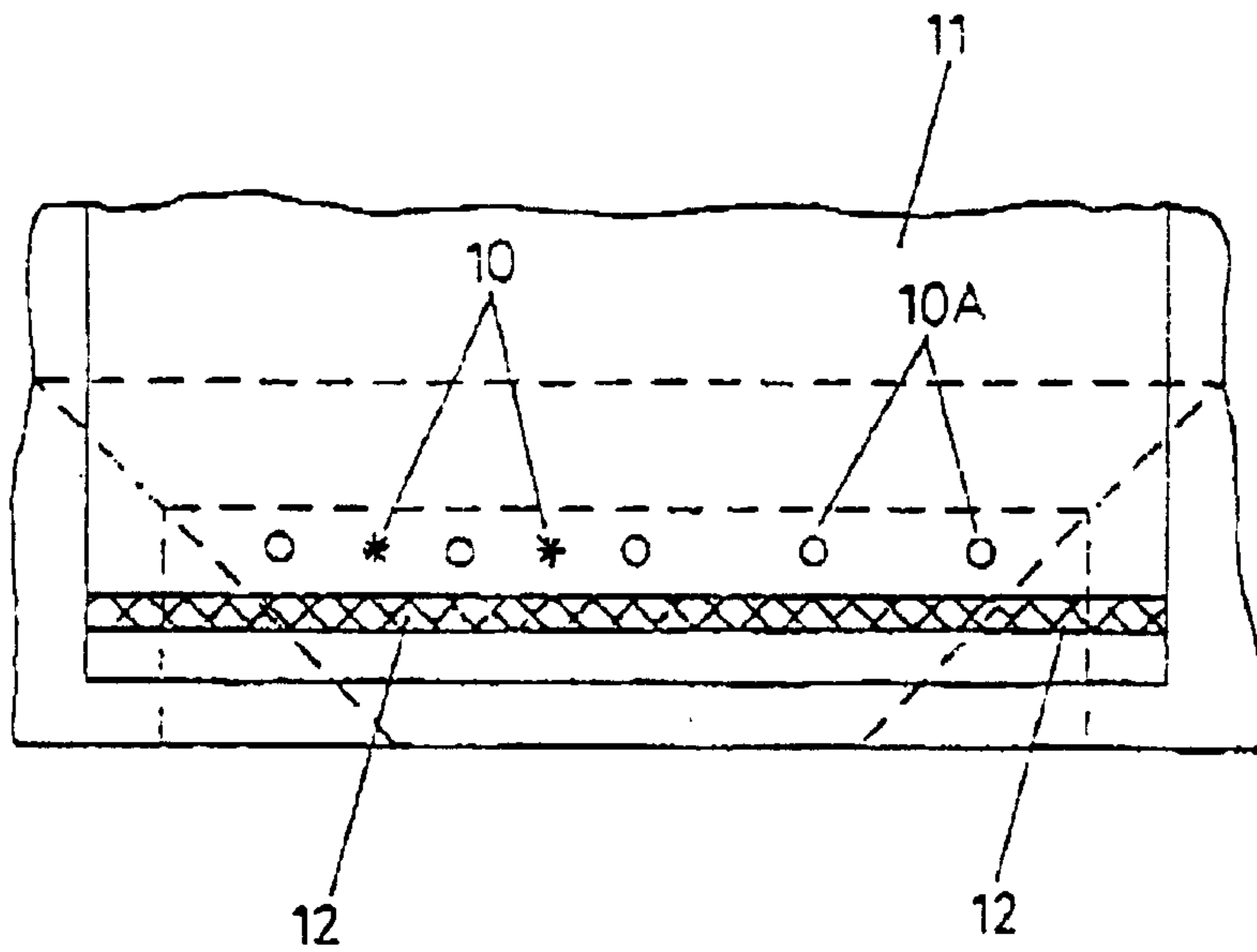


FIG 8

C

2128261

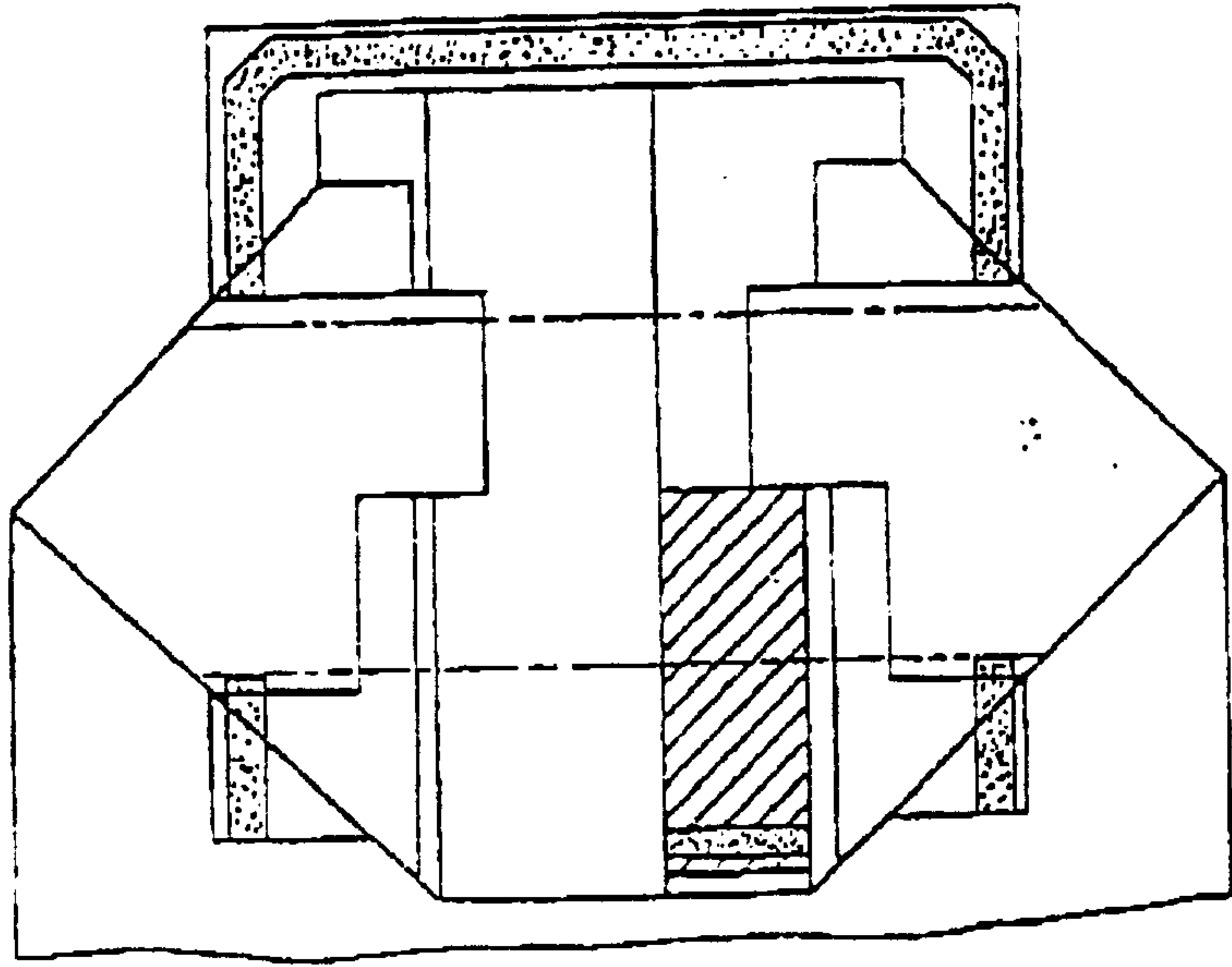


FIG 2AA

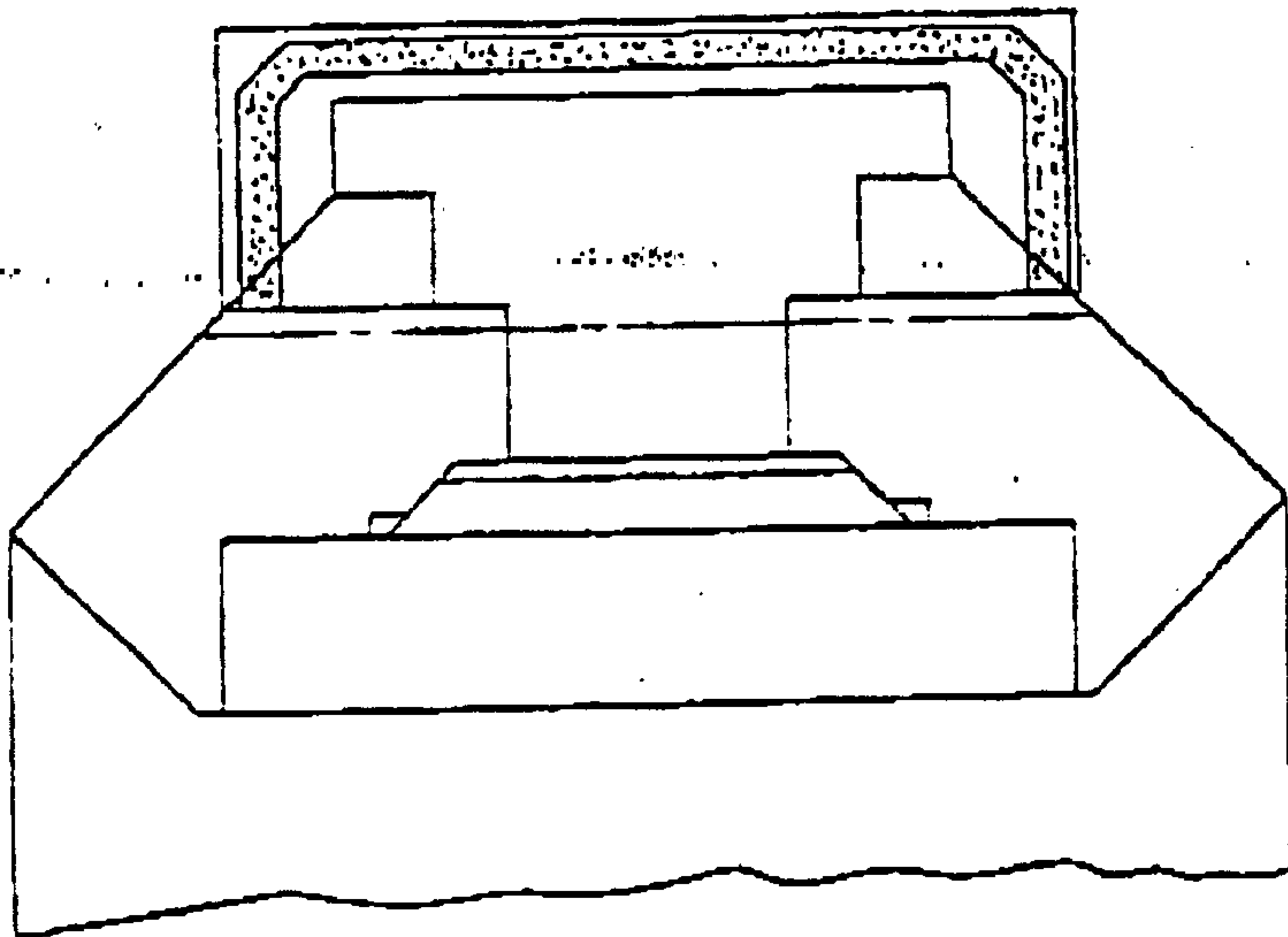


FIG 2BB

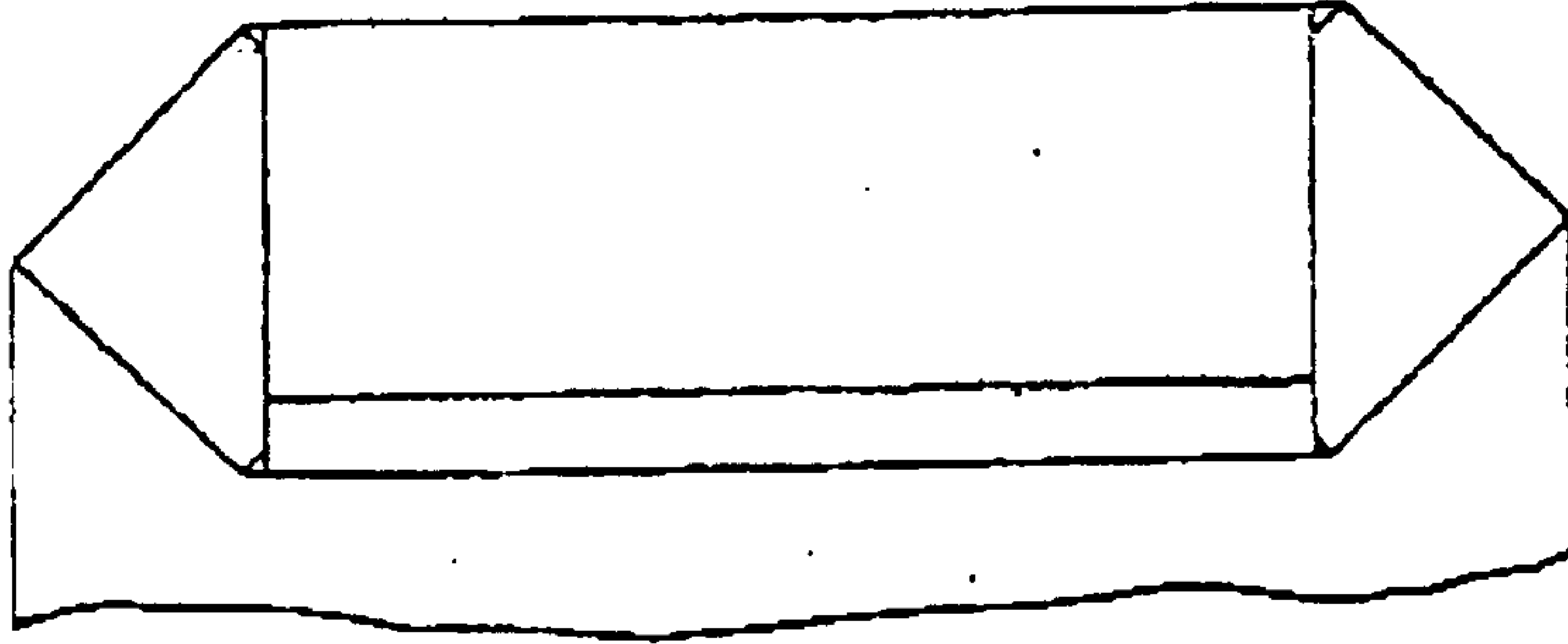


FIG 2CC

