



US00D534016S

(12) **United States Design Patent**
Raile

(10) **Patent No.:** **US D534,016 S**

(45) **Date of Patent:** **** Dec. 26, 2006**

(54) **EYEGLASS DISPLAY**

(75) Inventor: **Bruce Raile**, Park City, UT (US)

(73) Assignee: **Sun Optics, Inc.**, Salt Lake City, UT (US)

(**) Term: **14 Years**

(21) Appl. No.: **29/227,263**

(22) Filed: **Apr. 8, 2005**

(51) **LOC (8) Cl.** **06-04**

(52) **U.S. Cl.** **D6/469**

(58) **Field of Classification Search** D6/407,
D6/408, 426, 449, 455-457, 466, 467, 469;
211/13.1, 42, 59.2, 59.3, 70, 85.1, 85.26,
211/85.4; D24/230; 40/312; D19/60; D20/10;
99/426

See application file for complete search history.

(56) **References Cited**

U.S. PATENT DOCUMENTS

- 1,092,156 A 4/1914 Mathis
- 2,209,657 A * 7/1940 Martin 40/312
- 2,606,708 A 8/1952 Irvan
- 2,713,947 A 7/1955 Foster
- 2,735,597 A 2/1956 Treleven
- 2,747,760 A 5/1956 Jacobson
- 2,816,666 A 12/1957 Nadel
- RE24,571 E 11/1958 Nadel
- 2,936,897 A 5/1960 Bloch
- 2,966,271 A 12/1960 Nadel
- D201,017 S * 5/1965 Pohmann D19/62
- 3,333,709 A 8/1967 Leblanc et al.
- D208,469 S 9/1967 Parker
- 3,357,568 A 12/1967 Leblanc et al.
- 3,593,856 A 7/1971 Zander
- 3,817,392 A 6/1974 Bloch
- 3,857,482 A 12/1974 Shelton
- 3,866,800 A 2/1975 Schmitt
- 4,000,810 A 1/1977 Leblanc
- D245,118 S * 7/1977 Heaton D24/230
- 4,204,602 A 5/1980 Dunchock
- D267,992 S 2/1983 Shelton

- D275,160 S 8/1984 Shelton
- D275,161 S 8/1984 Shelton
- 4,572,366 A 2/1986 Carson
- 4,614,272 A 9/1986 Shelton et al.
- 4,715,575 A 12/1987 Kamerer
- 4,733,775 A 3/1988 Fireman
- 4,744,461 A 5/1988 Lapham
- 4,907,705 A * 3/1990 Waldeck 211/85.4
- D323,441 S * 1/1992 Waldeck D6/469
- 5,141,117 A 8/1992 Olsen et al.
- D336,181 S * 6/1993 Muniz D6/467
- 5,423,419 A 6/1995 Wentz et al.
- 5,501,321 A 3/1996 Liu

(Continued)

FOREIGN PATENT DOCUMENTS

DE 3815889 11/1989

Primary Examiner—Robert M. Spear

Assistant Examiner—Mary Ann Calabrese

(74) *Attorney, Agent, or Firm*—Workman-Nydegger

(57) **CLAIM**

The ornamental design for an eyeglass display, as shown and described.

DESCRIPTION

FIG. 1 is a perspective view of an eyeglass display in accordance with the present invention;

FIG. 2 is a top plan view of the eyeglass display as shown in FIG. 1;

FIG. 3 is a front elevational view of the eyeglass display shown in FIG. 1;

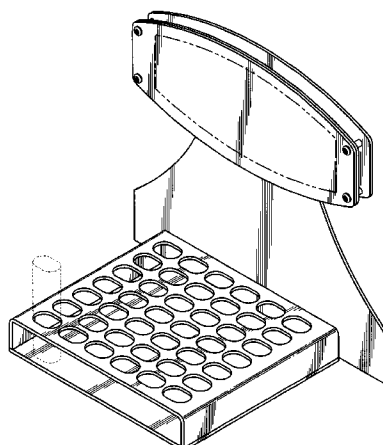
FIG. 4 is a bottom plan view of the eyeglass display as shown in FIG. 1;

FIG. 5 is a back elevational view of the eyeglass display as shown in FIG. 1; and,

FIG. 6 is a left side elevational view of the eyeglass display as shown in FIG. 1, with the right side being a mirror image thereof.

The broken lines are for illustrative purposes only and form no part of the claimed design.

1 Claim, 4 Drawing Sheets



US D534,016 S

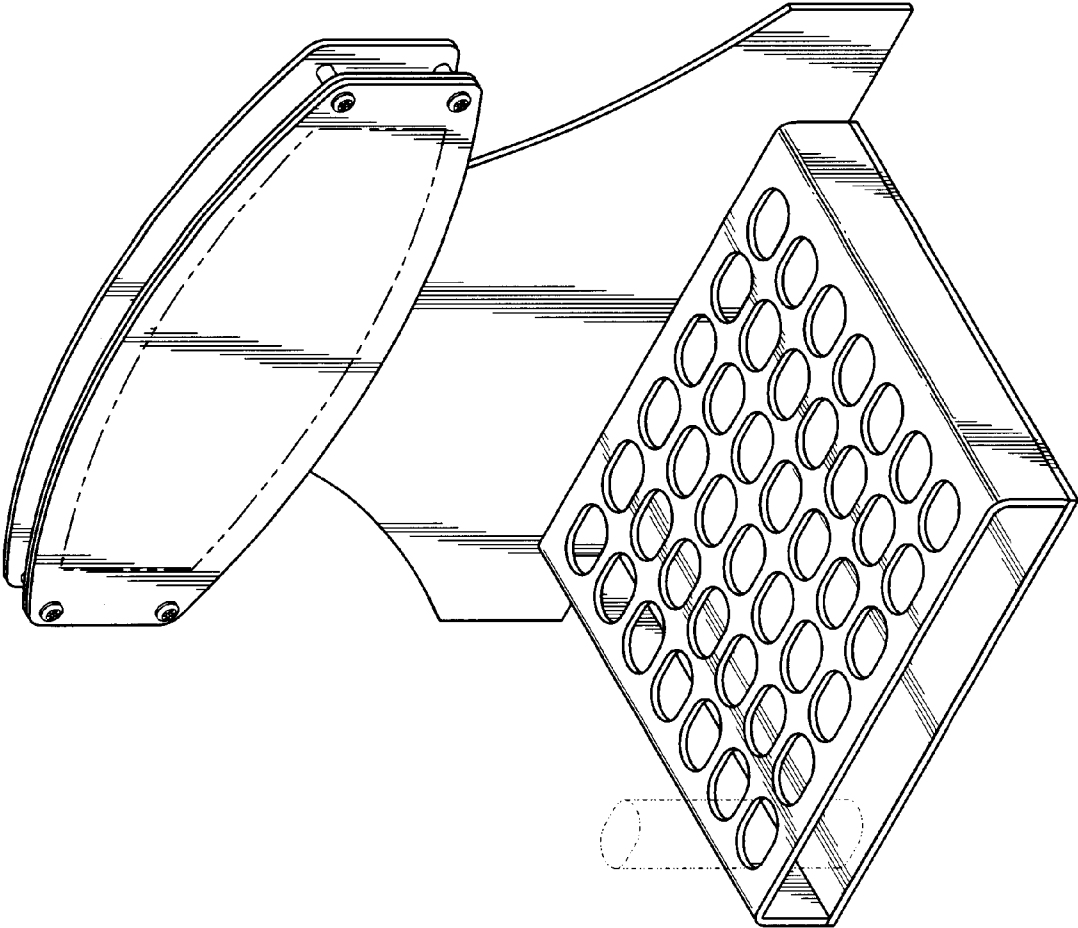
Page 2

U.S. PATENT DOCUMENTS

D369,466	S	5/1996	Jannard et al.				
5,568,872	A	10/1996	Hinnant, Sr.				
D400,373	S	* 11/1998	Thoesen	D6/469			
5,860,358	A	* 1/1999	Shriver	99/426			
5,929,967	A	7/1999	Conner				
5,949,515	A	9/1999	Hoshino				
D420,533	S	* 2/2000	Pugatch	D6/469			
D440,256	S	* 4/2001	Wang	D20/10			
					6,382,407	B1	5/2002 Chao
					6,415,915	B1	7/2002 Grossman
					6,491,158	B1	12/2002 Chen
					6,626,287	B1	9/2003 Watson
					D496,541	S *	9/2004 Wang
							D6/466
					6,789,664	B1	9/2004 Chao
					6,929,116	B1	8/2005 Chao et al.
					2003/0111361	A1	6/2003 Fischer et al.

* cited by examiner

Fig. 1



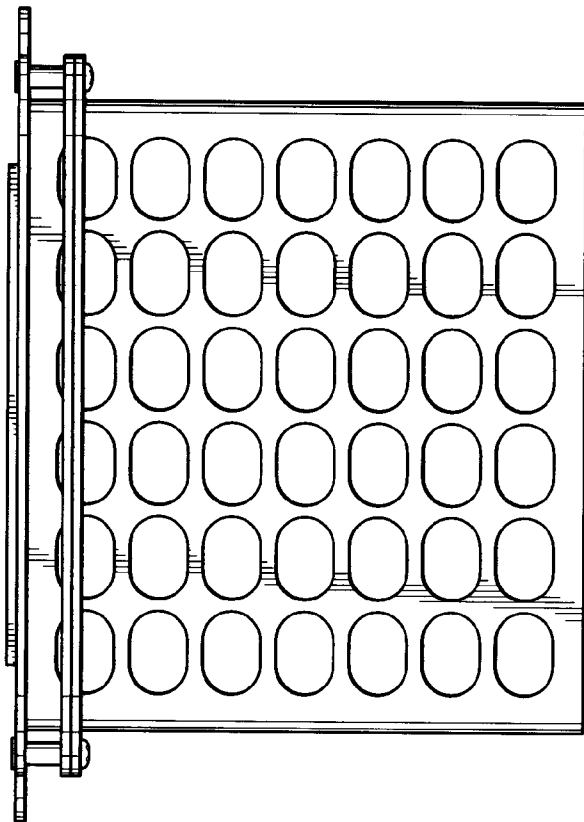


Fig. 2

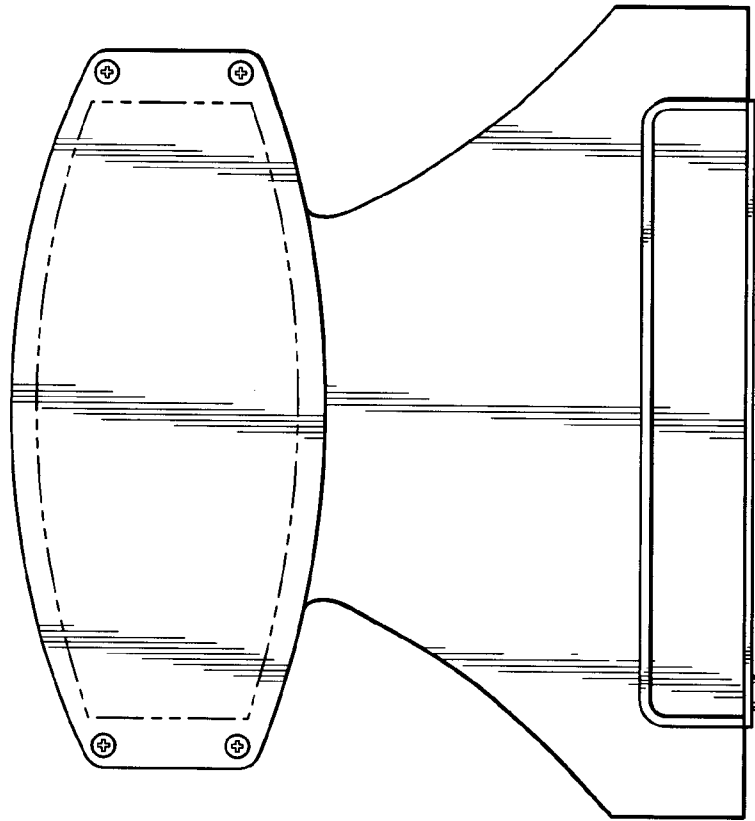


Fig. 3

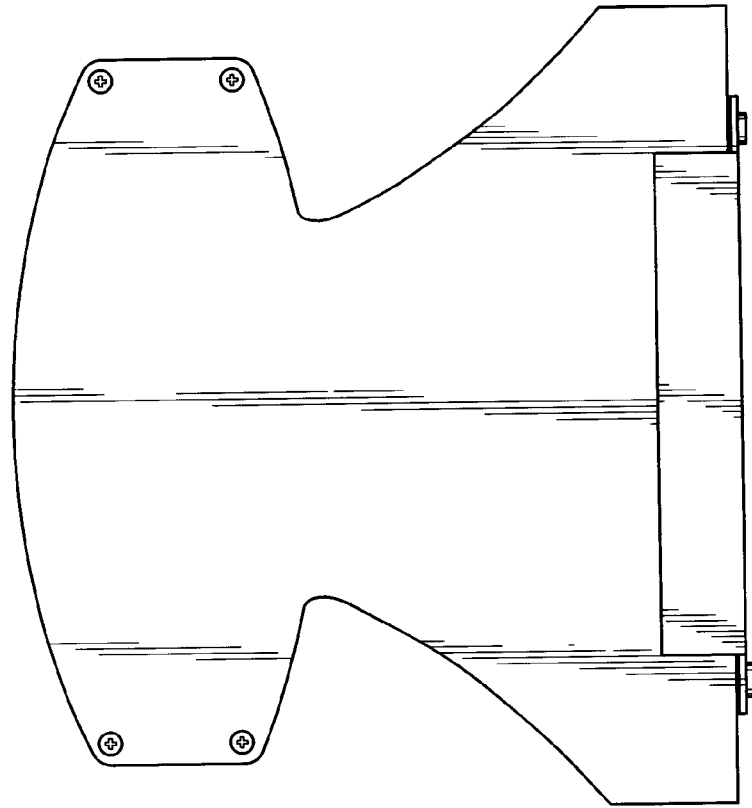


Fig. 5

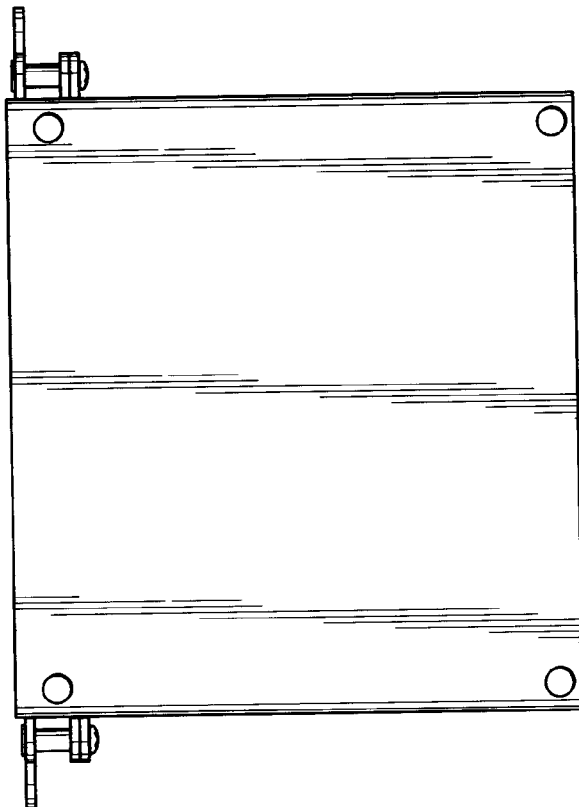


Fig. 4

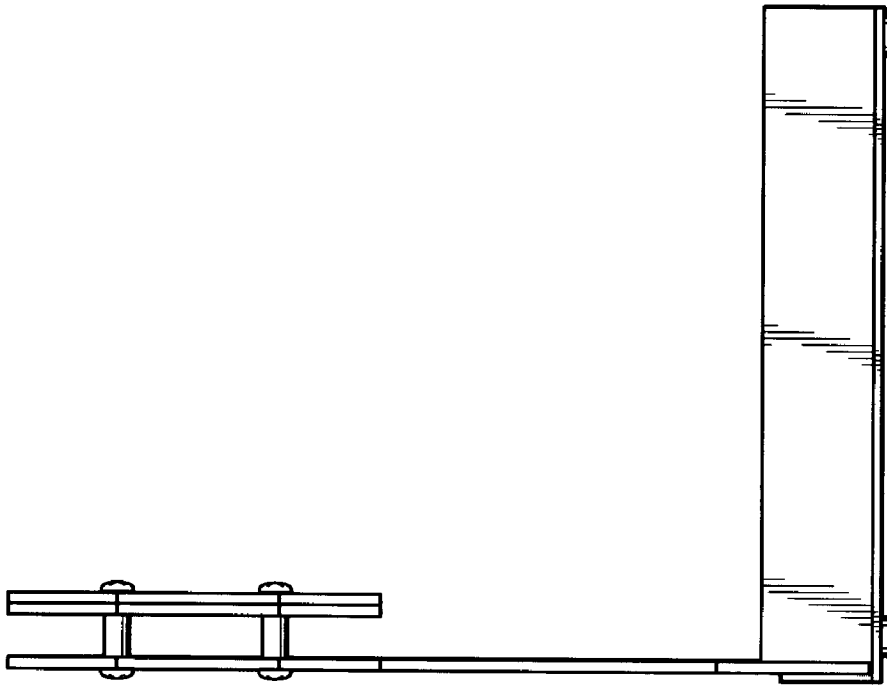


Fig. 6