



US00D349456S

United States Patent [19]

[11] Patent Number: Des. 349,456

Wilson

[45] Date of Patent: ** Aug. 9, 1994

- [54] CONTAINER
- [75] Inventor: Phillip S. Wilson, Bremen, Ga.
- [73] Assignee: King Packaging, Inc., Bremen, Ga.
- [**] Term: 14 Years
- [21] Appl. No.: 1,099
- [22] Filed: Nov. 3, 1992
- [52] U.S. Cl. D9/347; D9/341; D9/425
- [58] Field of Search D9/341-348, D9/424, 435, 414, 416, 431, 456; D7/555, 550, 553, 560, 601, 602; 206/45.34, 45.31, 223, 541, 563, 564, 557; 220/500, 521, 528, 556, 555; 229/902, 904, 906, 2.5 R, DIG. 13; 426/119, 106, 125, 123

5,123,527 6/1992 Hustad 229/902 X

OTHER PUBLICATIONS

Modern Packaging, 1963, p. 88, bottom right package.
 Packaging Feb. 1989, p. 78 as shown.
 Food Processing Industry, 1970, p. 118 as shown.

Primary Examiner—Prabhakar G. Deshmukh
Attorney, Agent, or Firm—Kilpatrick & Cody

[57] CLAIM

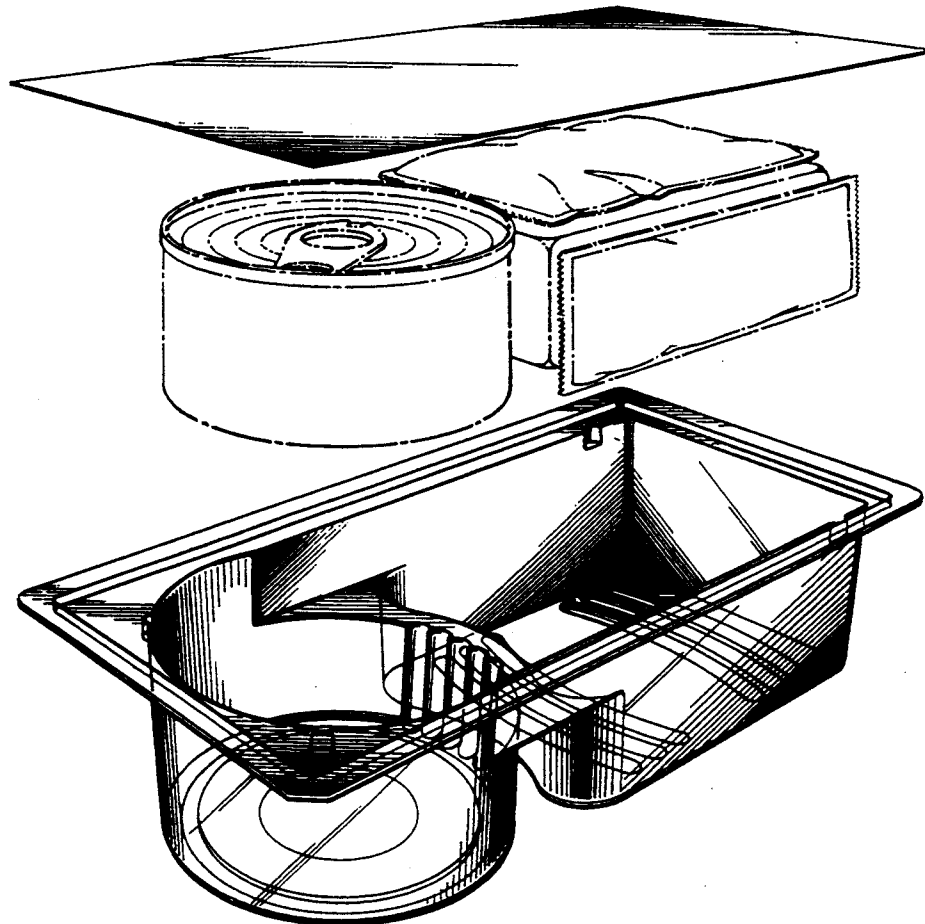
The ornamental design for a container, as shown and described.

DESCRIPTION

FIG. 1 is an exploded perspective view of a container showing my new design;
 FIG. 2 is a perspective view thereof with cover;
 FIG. 3 is a top plan view of a bottom container without cover; shown separately for clarity of illustration;
 FIG. 4 is a front elevational view of FIG. 3;
 FIG. 5 is a left side elevational view of FIG. 3;
 FIG. 6 is a bottom plan view of FIG. 3;
 FIG. 7 is a rear elevational view of FIG. 3; and,
 FIG. 8 is a right side elevational view of FIG. 3.
 The broken line showing of the inside containers is for illustrative purpose only and forms no part of the claim.

[56] **References Cited**
U.S. PATENT DOCUMENTS

- D. 279,865 7/1985 McKee D9/347
- D. 292,379 10/1987 Pollitt D9/425 X
- D. 293,767 1/1988 Powers D9/347
- D. 339,522 9/1993 Zoss D9/425 X
- 3,344,974 10/1967 Bostrom 220/675 X
- 3,669,257 6/1972 Janicke 426/119



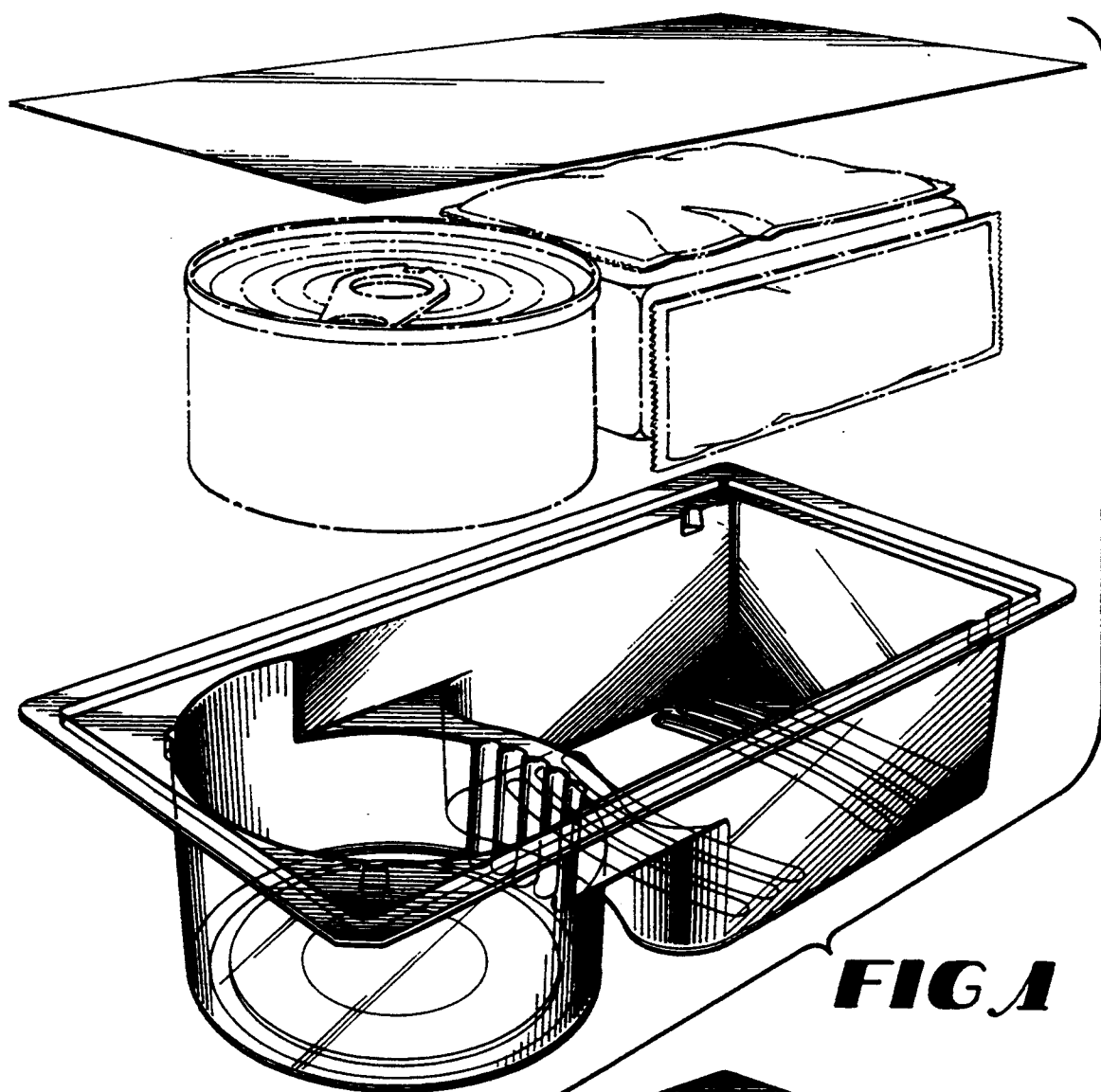


FIG 1

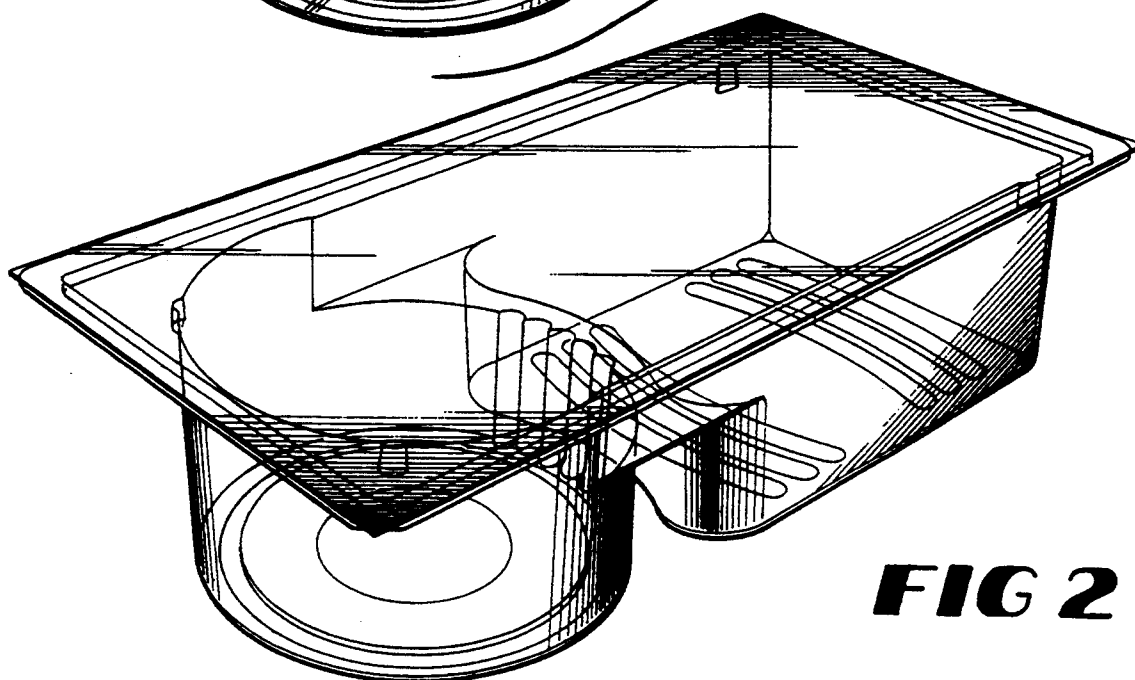


FIG 2

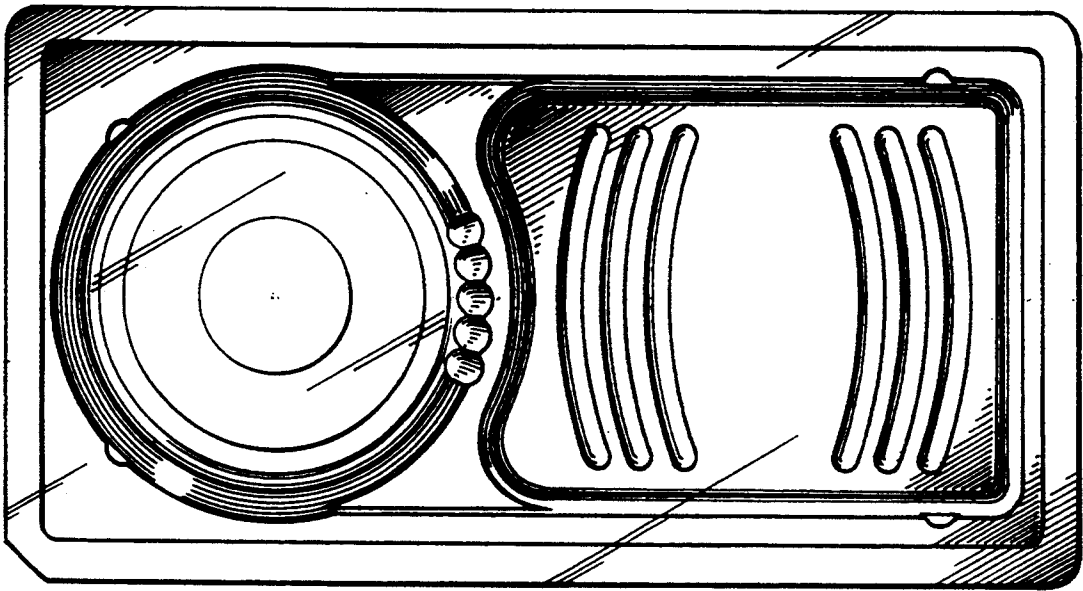


FIG 3

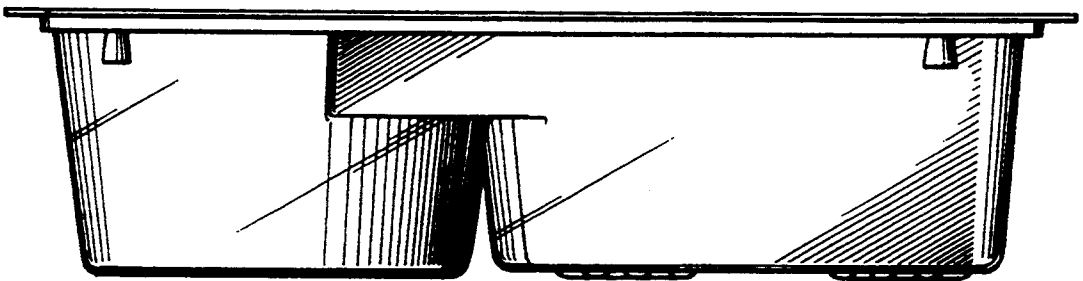


FIG 4

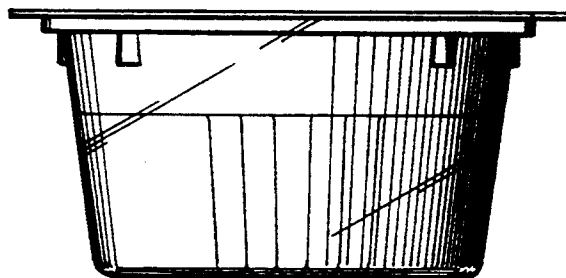


FIG 5

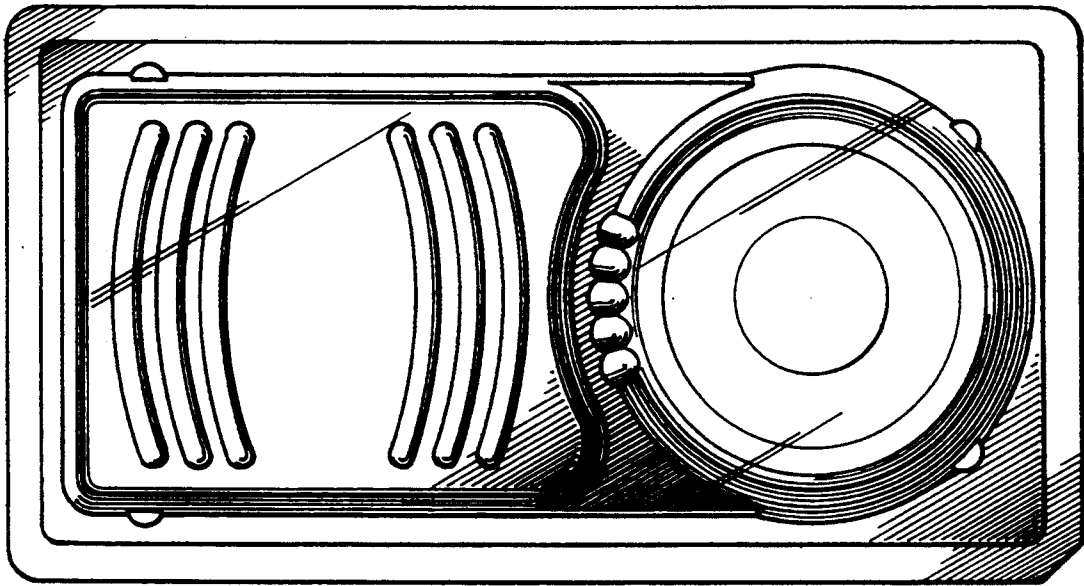


FIG 6

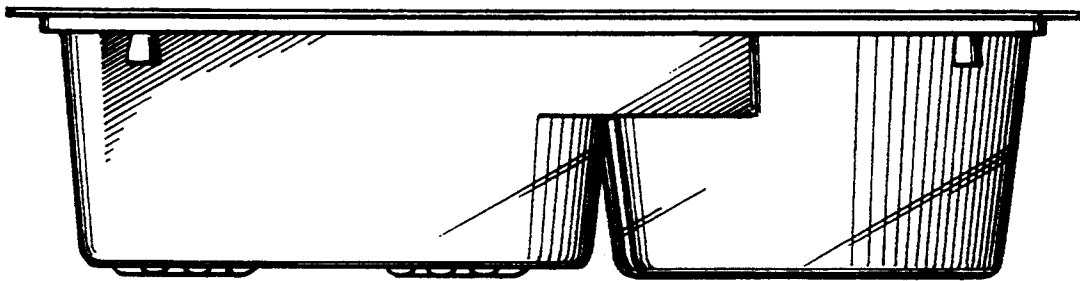


FIG 7

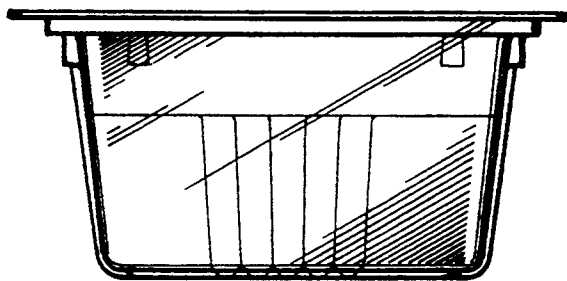


FIG 8