



US00D997342S

(12) **United States Design Patent**
Liu et al.

(10) **Patent No.:** **US D997,342 S**
(45) **Date of Patent:** **** Aug. 29, 2023**

(54) **NASAL IRRIGATOR**

(56) **References Cited**

(71) Applicant: **JoinTown Medical Device Group CO.Ltd.**, Hubei (CN)
(72) Inventors: **Baolin Liu**, Hubei (CN); **Xiong Fu**, Hubei (CN); **Wenhui Rong**, Hubei (CN)
(**) Term: **15 Years**
(21) Appl. No.: **29/769,065**
(22) Filed: **Feb. 3, 2021**

U.S. PATENT DOCUMENTS

| | | | | | | |
|----------|---|---|---------|---------|-------|---------|
| D222,862 | S | * | 1/1972 | Cook | | D24/111 |
| D246,667 | S | * | 12/1977 | Mackay | | D24/111 |
| D388,612 | S | * | 1/1998 | Stutzer | | D24/111 |
| D782,656 | S | * | 3/2017 | Au | | D24/111 |
| D834,180 | S | * | 11/2018 | Porter | | D24/111 |
| D858,750 | S | * | 9/2019 | Porter | | D24/111 |
| D859,643 | S | * | 9/2019 | Li | | D24/111 |
| D859,644 | S | * | 9/2019 | Porter | | D24/111 |
| D896,953 | S | * | 9/2020 | Kim | | D24/111 |
| D913,485 | S | * | 3/2021 | Senff | | D24/111 |
| D936,210 | S | * | 11/2021 | Yu | | D24/111 |
| D943,075 | S | * | 2/2022 | Chiu | | D23/359 |
| D945,600 | S | * | 3/2022 | Li | | D24/111 |

(30) **Foreign Application Priority Data**

Aug. 4, 2020 (CN) 202030437142.0

(51) **LOC (14) Cl.** **24-02**

(52) **U.S. Cl.**
USPC **D24/108**

(58) **Field of Classification Search**
USPC D24/108, 110, 110.1, 112-115, 127, 128, D24/129, 130, 133, 186
CPC A61M 25/0043; A61M 25/0067; A61M 25/0097; A61M 2210/0618; A61C 15/046; A61C 15/047; A61C 15/048; A61C 17/00; A61C 17/005; A61C 17/0092; A61C 17/02; A61C 17/0202; A61C 17/0205; A61C 17/0211; A61C 17/028; A61C 17/16; A61C 17/22; A61C 17/222; A61C 17/225; A61C 17/227; A61C 17/28; A61C 17/32; A61C 17/34; A61C 17/36

See application file for complete search history.

* cited by examiner

Primary Examiner — Richard Kearney

Assistant Examiner — Michael Hoffman

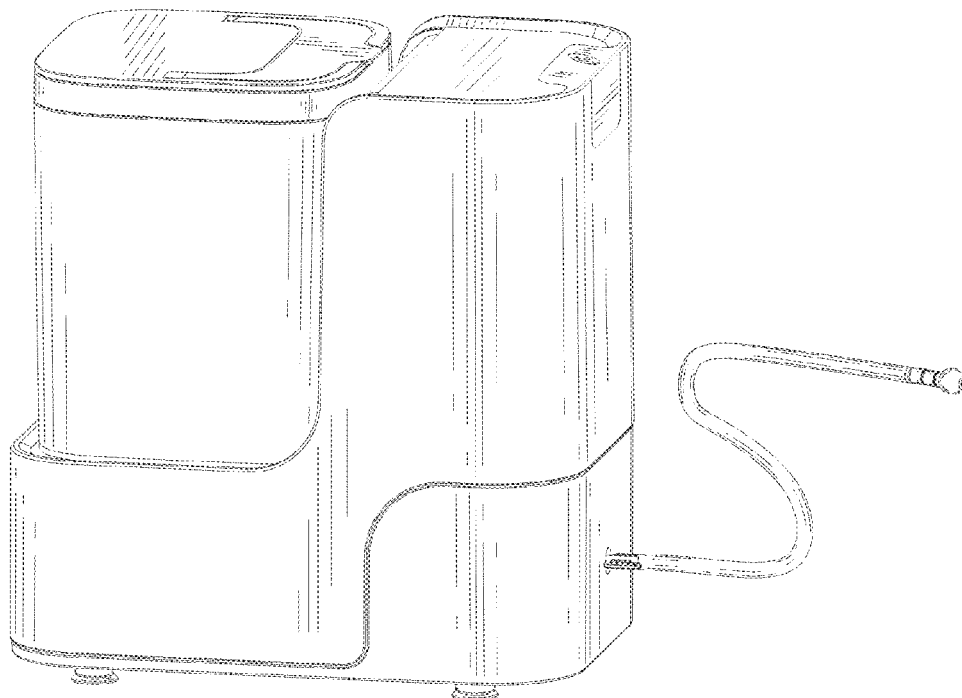
(57) **CLAIM**

The ornamental design for a nasal irrigator, as shown and described.

DESCRIPTION

FIG. 1 is a top, front and right side perspective view of a nasal irrigator showing my new design;
FIG. 2 is a front elevational view thereof;
FIG. 3 is a rear elevational view thereof;
FIG. 4 is a left side elevational view thereof;
FIG. 5 is a right side elevational view thereof;
FIG. 6 is a top plan view thereof; and,
FIG. 7 is a bottom plan view thereof.

1 Claim, 7 Drawing Sheets



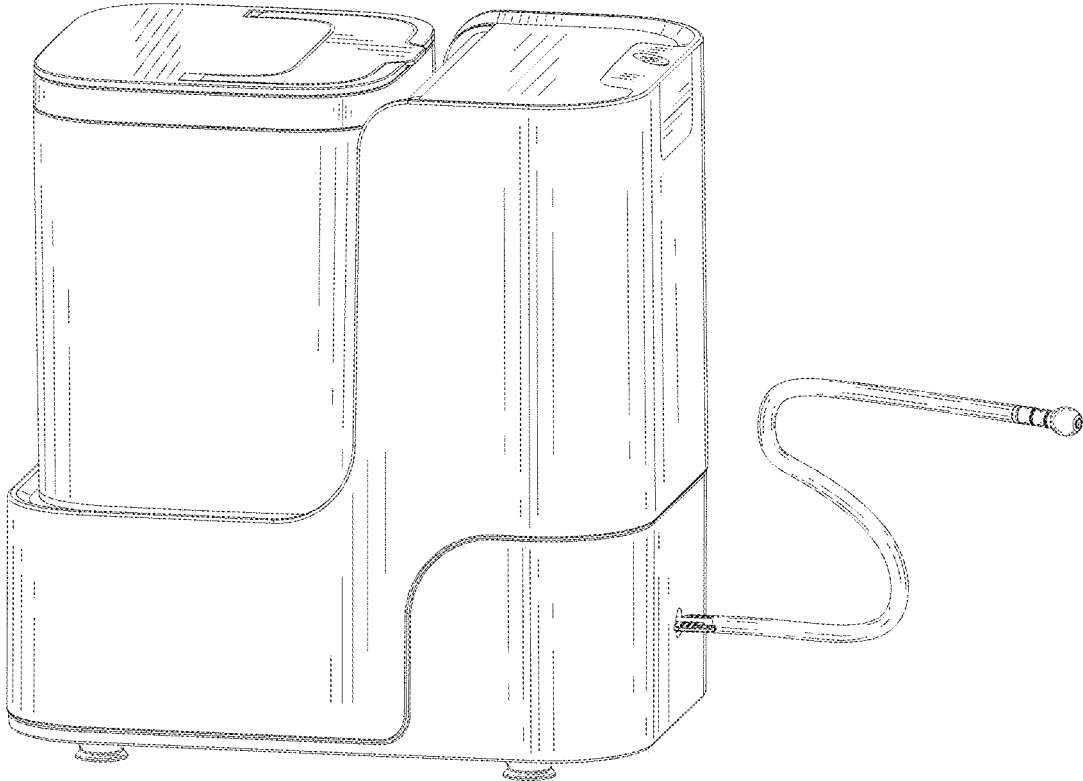


FIG.1

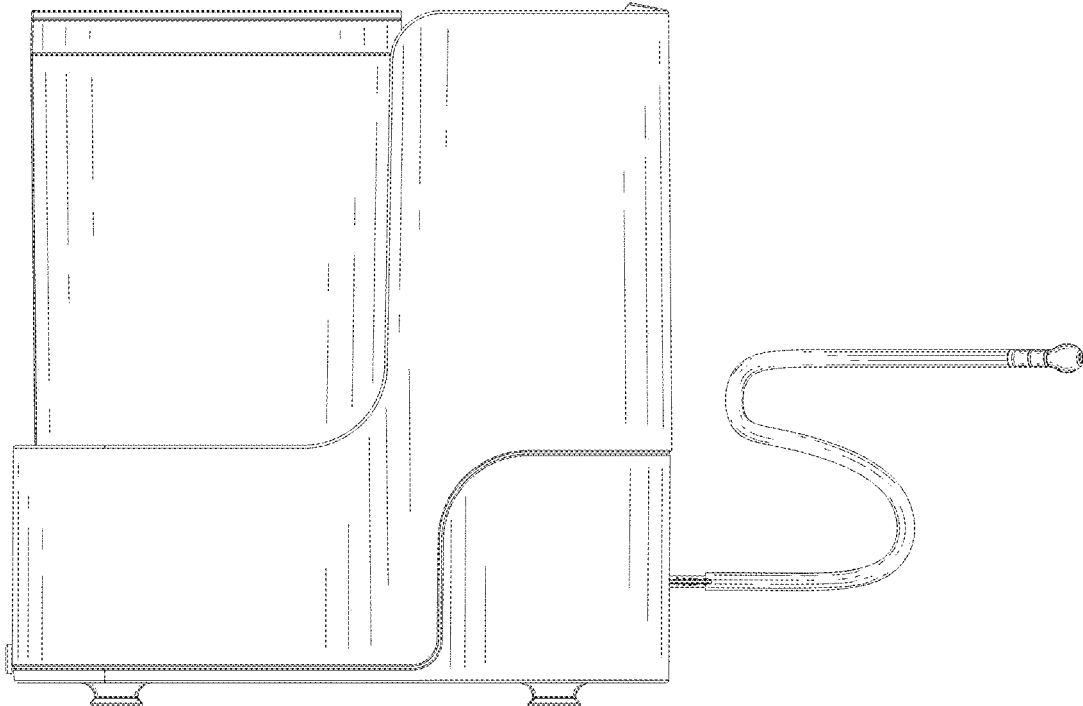


FIG.2

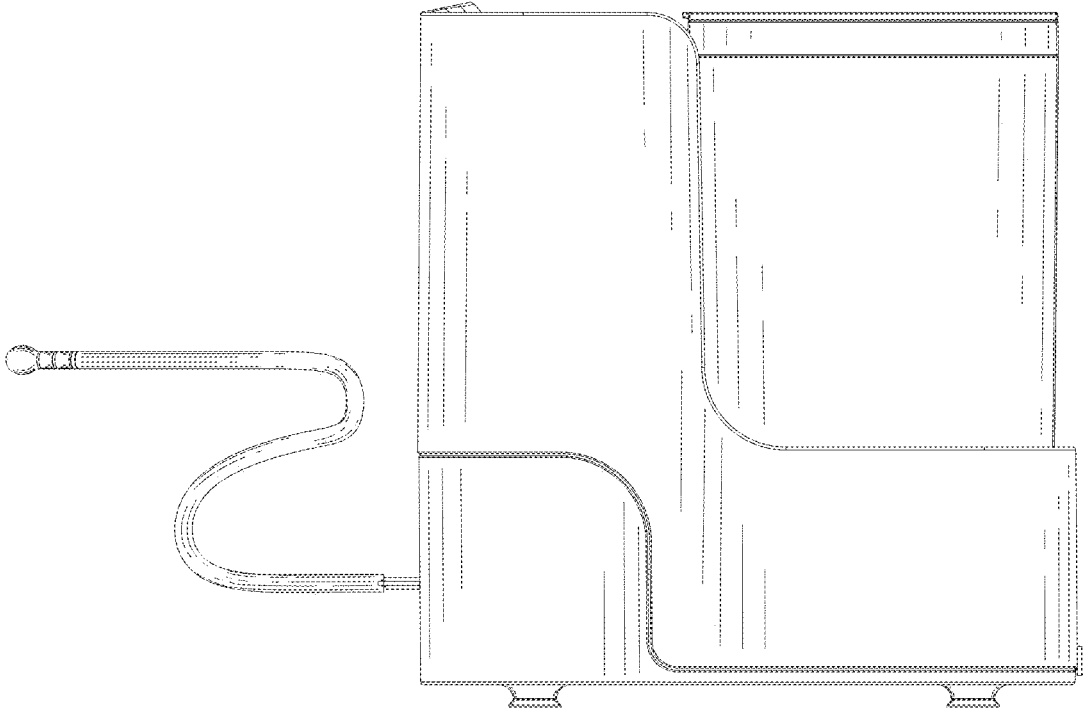


FIG.3

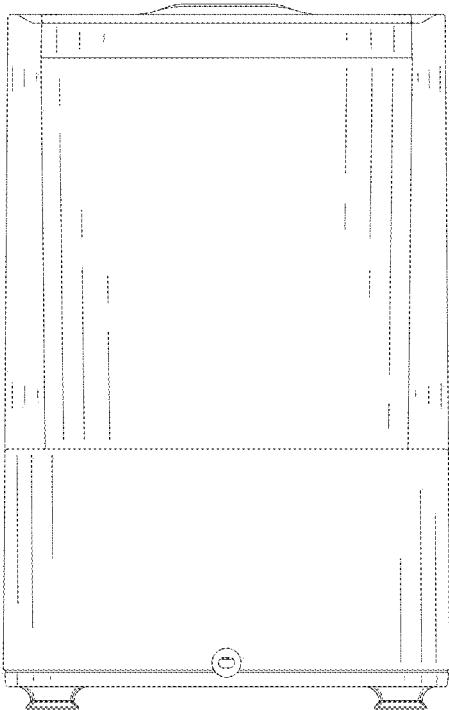


FIG.4

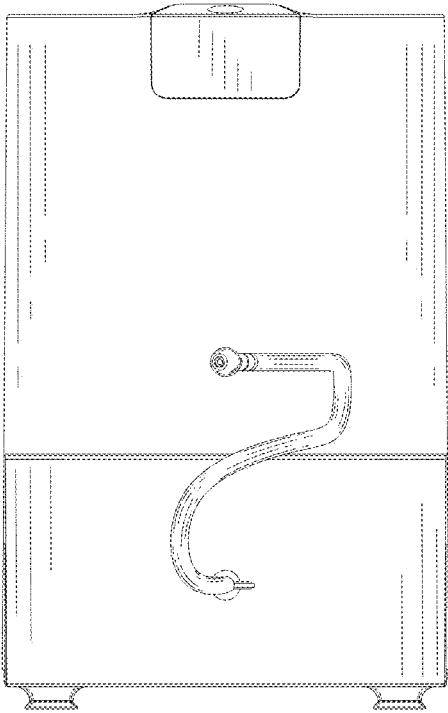


FIG.5

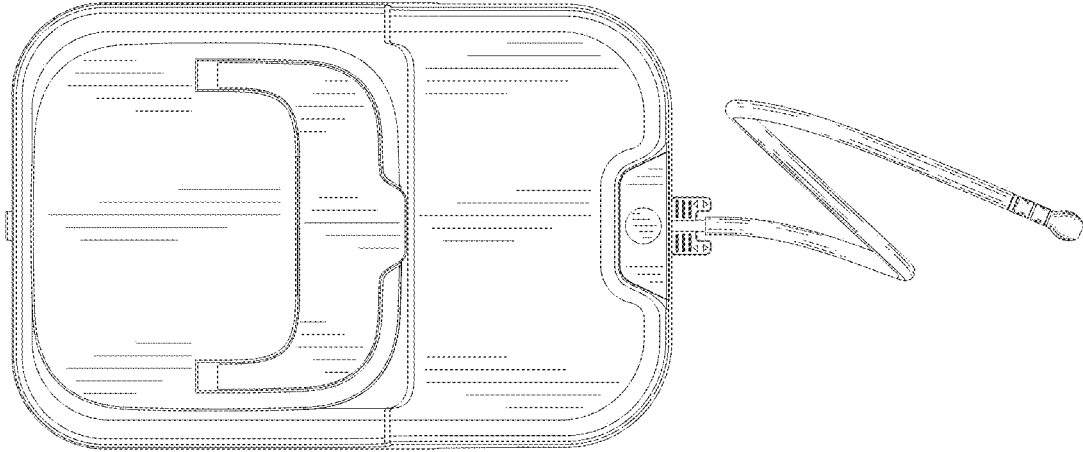


FIG.6

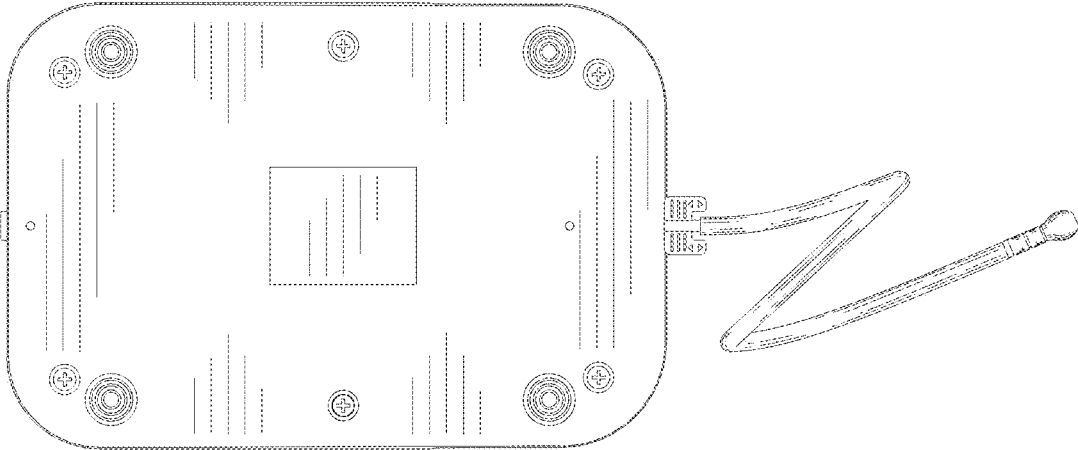


FIG.7