



(12) **United States Design Patent**
Belanger

(10) **Patent No.:** **US D780,720 S**
(45) **Date of Patent:** **** Mar. 7, 2017**

- (54) **SPEAKER MOTOR**
- (71) Applicant: **Sean Belanger**, Spartanburg, SC (US)
- (72) Inventor: **Sean Belanger**, Spartanburg, SC (US)
- (**) Term: **15 Years**
- (21) Appl. No.: **29/536,919**
- (22) Filed: **Aug. 20, 2015**
- (51) **LOC (10) CL.** **14-01**
- (52) **U.S. CL.**
USPC **D14/222; D14/214**
- (58) **Field of Classification Search**
USPC D14/221, 204, 209, 209.1, 210, 211,
D14/212-216, 222, 224, 224.1; D13/184,
D13/112, 119, 122; D15/199;
181/143-144, 147-148, 150-153, 157,
181/198-199; 381/300-303, 332-333,
381/336, 345, 361-364, 386-388, 340,
381/392
CPC . H04R 25/00; H04R 1/02; H04R 5/00; H04R
1/00; H04R 1/26; H04R 9/02; H04R
9/06; A47B 81/06; H02K 15/00; H02K
5/02; H02K 5/04; H02K 15/14
See application file for complete search history.

D194,910 S *	4/1963	Rutledge et al.	D13/112
3,105,569 A *	10/1963	Evans	H04R 1/26
			181/144
3,483,945 A *	12/1969	Michael	H04R 1/323
			181/143
D220,268 S *	3/1971	Kliewer	D14/496
D230,194 S *	1/1974	Buckler	D14/197
D242,259 S *	11/1976	Babb	D14/214
4,164,988 A *	8/1979	Virva	H04R 1/2857
			181/153
D282,163 S *	1/1986	Seebinger	D14/222
5,847,331 A *	12/1998	Vollmer	H04R 1/345
			181/147
D409,202 S *	5/1999	Sone	D10/116.1
D511,340 S *	11/2005	Mah	D14/222
D521,978 S *	5/2006	Morita	D14/211
D521,982 S *	5/2006	Schafernak	D14/216

(Continued)

Primary Examiner — Paula Greene
(74) *Attorney, Agent, or Firm* — Steinberg Intellectual Property Law LLC; Gloria M. Steinberg, Esq.

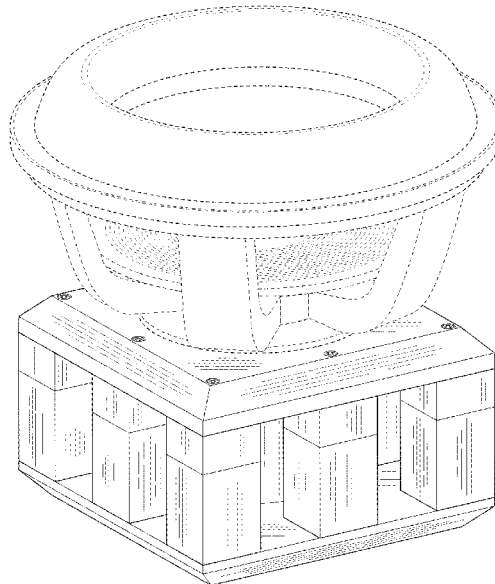
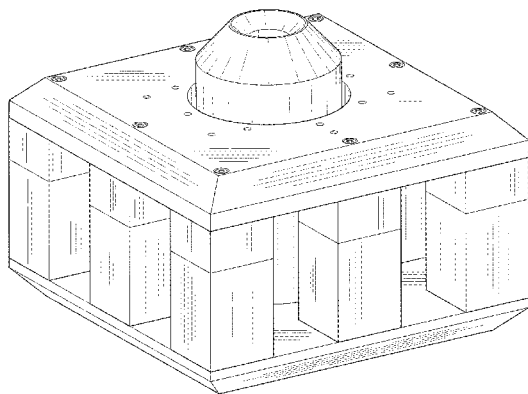
(57) **CLAIM**

The ornamental design for a speaker motor, as shown and described.

DESCRIPTION

FIG. 1 is a perspective view of a speaker motor of the present invention, the opposite perspective view being a mirror image thereof;
FIG. 2 is a front side elevational view thereof, the rear side view, the left side view, and the right side view being mirror images thereof;
FIG. 3 is a top elevational view thereof;
FIG. 4 is a bottom elevational view thereof; and,
FIG. 5 is a perspective view of thereof in operation.
The broken lines in the figures show unclaimed subject matter only and form no part of the claimed design.

1 Claim, 5 Drawing Sheets



(56)

References Cited

U.S. PATENT DOCUMENTS

D626,565	S	*	11/2010	Kim	D14/500
D646,665	S	*	10/2011	Iijima	D14/214
D657,343	S	*	4/2012	Cho	D14/188
D659,681	S	*	5/2012	Suzuki	D14/221
D684,560	S	*	6/2013	Lee	D14/209.1
D690,280	S	*	9/2013	Schul	D14/168
D691,983	S	*	10/2013	Vaughan	D14/172
D693,794	S	*	11/2013	Nauroy	D14/214
D697,053	S	*	1/2014	Brickstad	D14/215
D754,628	S	*	4/2016	Baird	D14/204
D755,160	S	*	5/2016	Ponce	D14/214
D758,345	S	*	6/2016	Fujioka	D14/214
D763,825	S	*	8/2016	Zamir	D14/215
D767,533	S	*	9/2016	Mchatet	D14/214

* cited by examiner

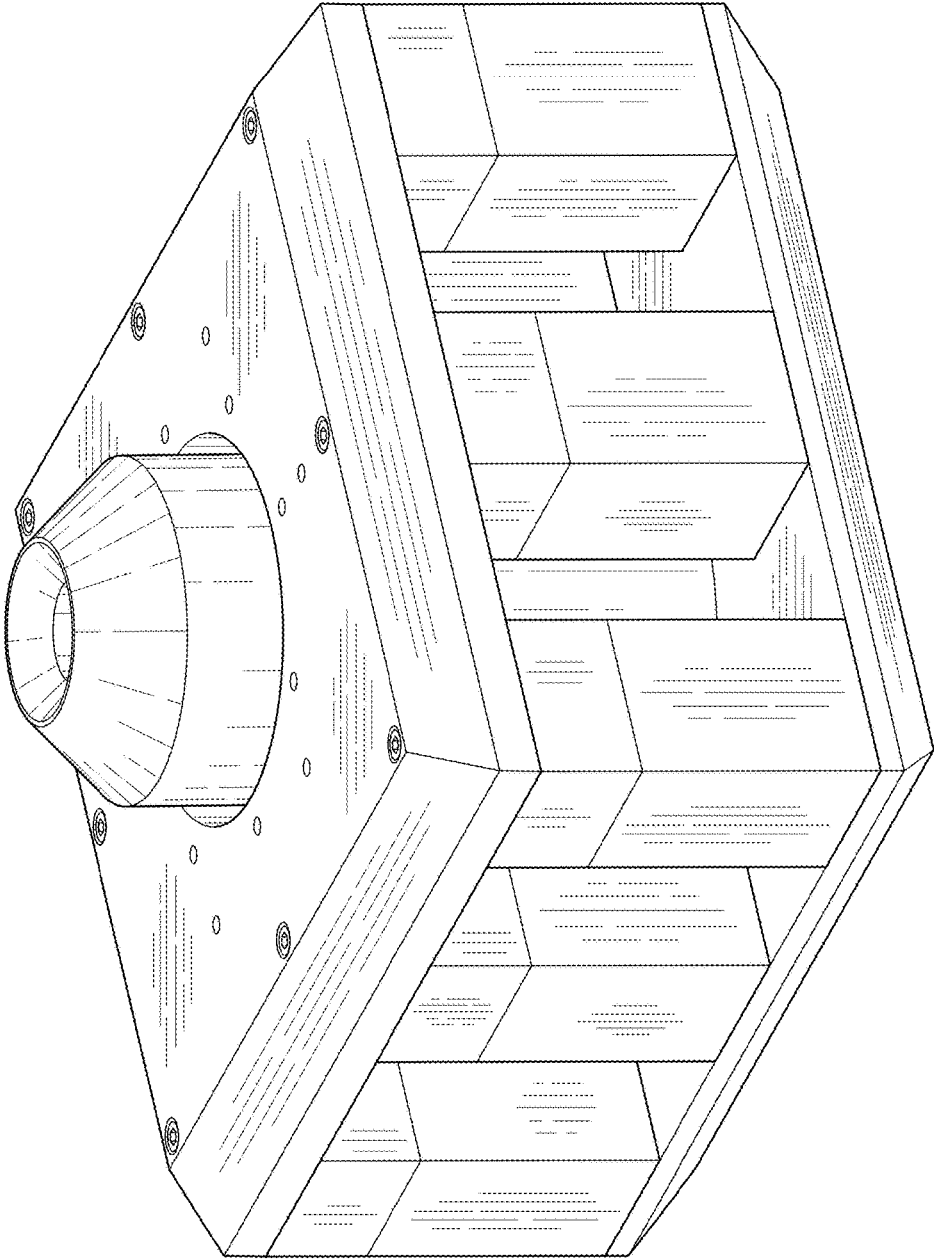


FIG. 1

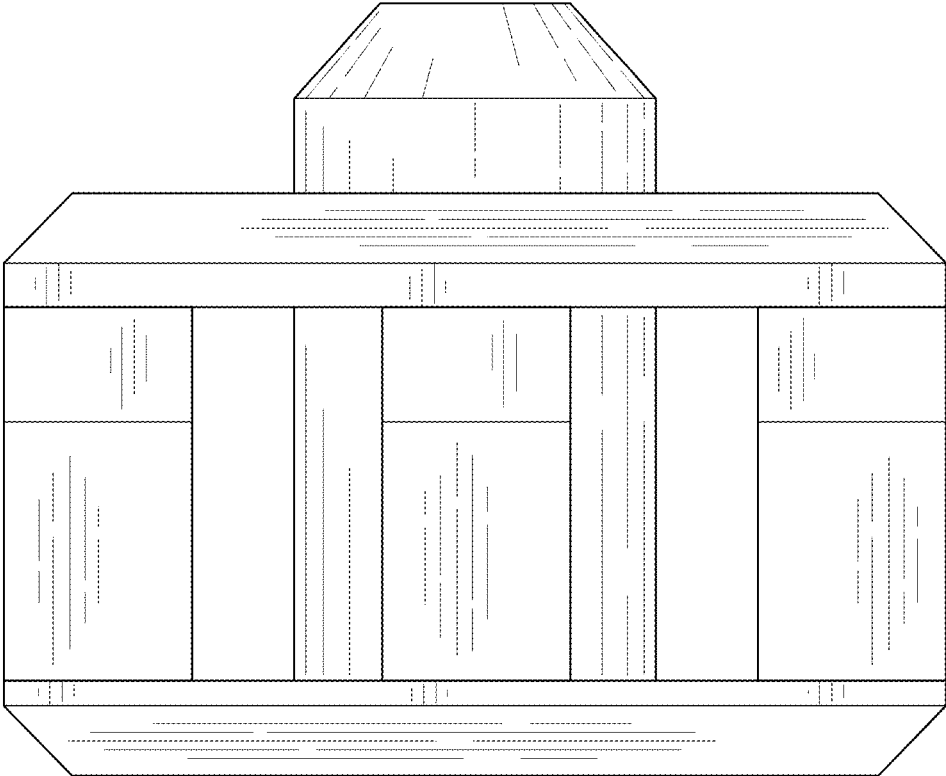


FIG. 2

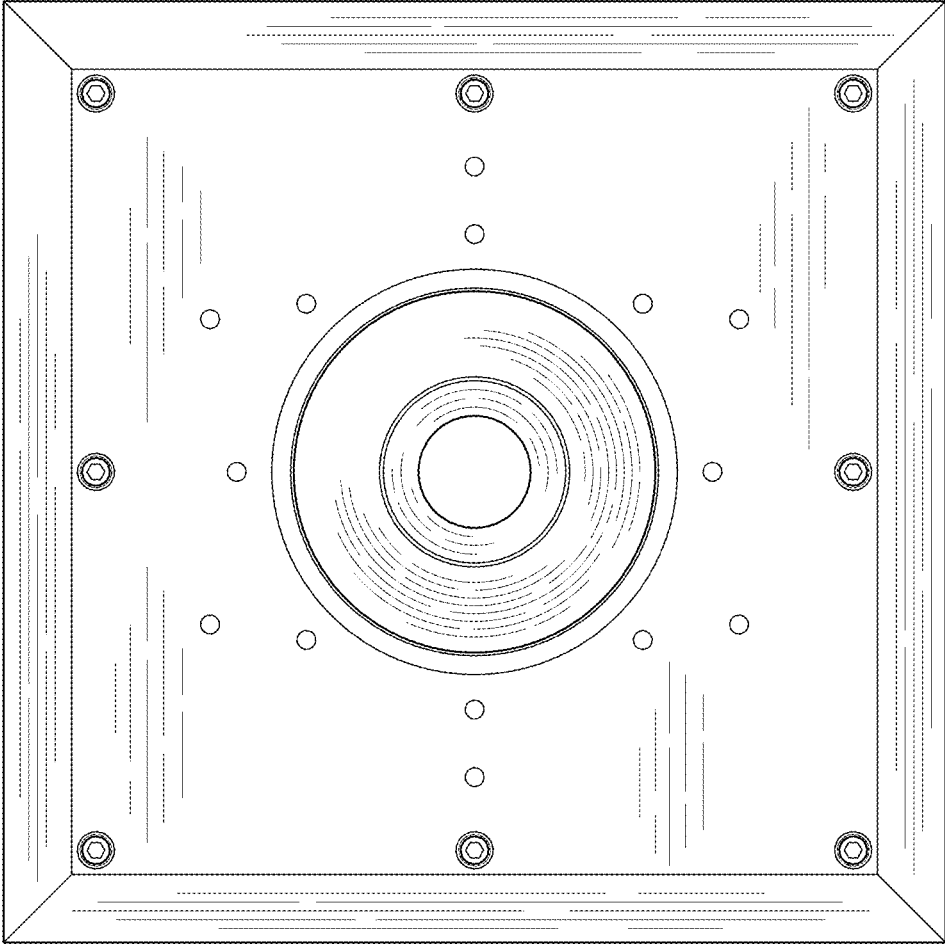


FIG. 3

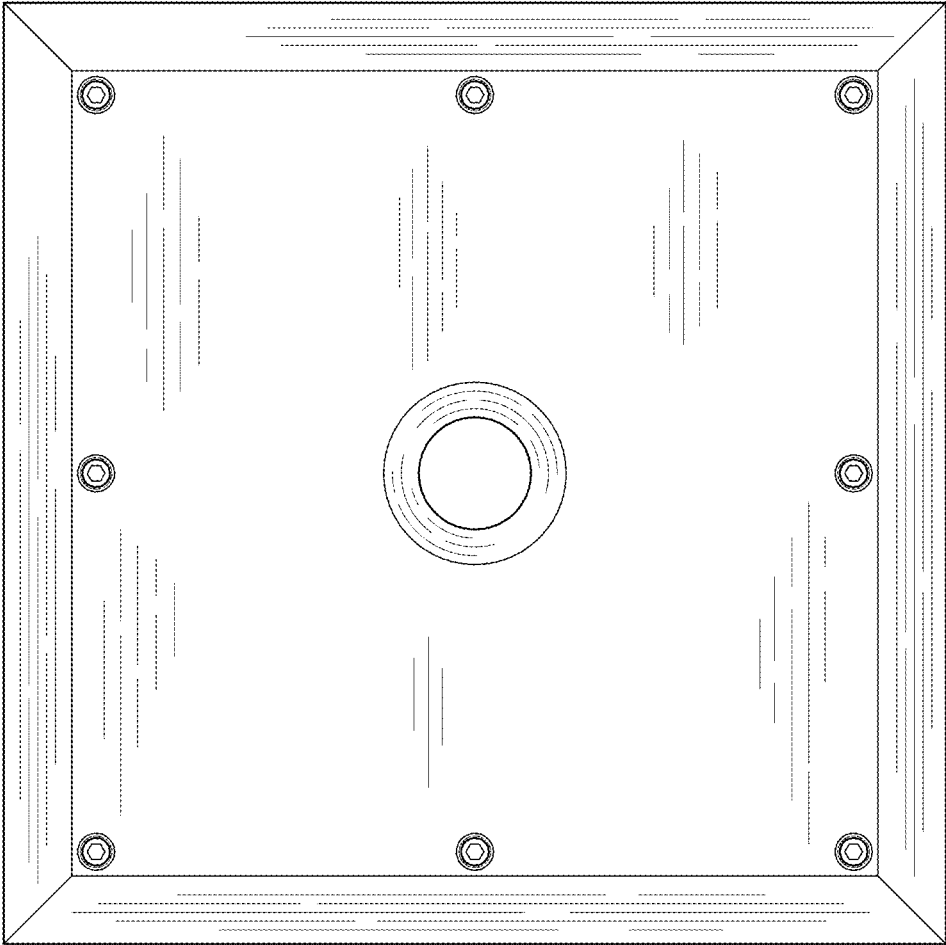


FIG. 4

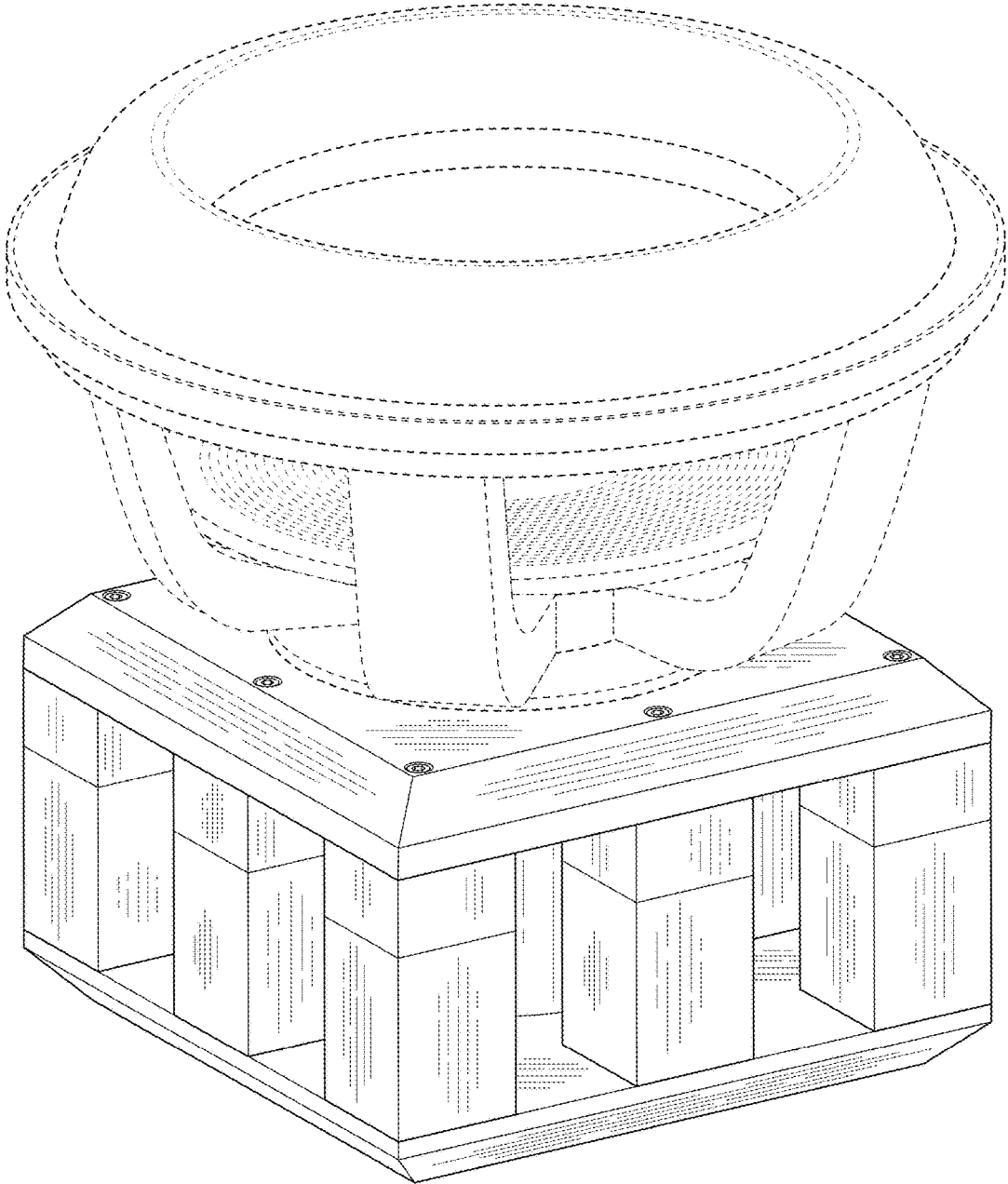


FIG. 5