



US00D611513S

(12) **United States Design Patent**
Coburn

(10) **Patent No.:** **US D611,513 S**

(45) **Date of Patent:** **** Mar. 9, 2010**

(54) **FILE AND RASP GRIP**

(75) Inventor: **Richard David Blair Coburn**, Ottawa (CA)

(73) Assignee: **Lee Valley Tools, Ltd.**, Ottawa (CA)

(**) Term: **14 Years**

(21) Appl. No.: **29/333,253**

(22) Filed: **Mar. 5, 2009**

Related U.S. Application Data

(63) Continuation of application No. 11/252,107, filed on Oct. 17, 2005, now abandoned.

(51) **LOC (9) Cl.** **15-09**

(52) **U.S. Cl.** **D15/140**

(58) **Field of Classification Search** D8/70,
D8/71, 72, 94, 107, 394; D15/138, 140,
D15/142; 7/119, 163, 164; 30/263, 269,
30/282, 286; 33/41.4, 42, 43, 44
See application file for complete search history.

(56) **References Cited**

U.S. PATENT DOCUMENTS

184 A	4/1837	Becksmith
13,381 A	8/1855	Bailey
17,111 A	4/1857	Packard
17,403 A	5/1857	Williams
20,855 A	7/1858	Bailey
23,927 A	5/1859	Tolman
30,071 A	9/1860	Leonard
32,617 A	6/1861	Colton
36,973 A	11/1862	Traut

(Continued)

FOREIGN PATENT DOCUMENTS

CA 554421 3/1958

(Continued)

OTHER PUBLICATIONS

"#140 Rabbet and Block Plane, 7"L, 1 3/4"W (1 5/8, 1936 on), 1 1/8Ibs, 1896-1944", The Superior Works—Patrick's Blood and Gore: Planes #90-#100 <http://www.supertool.com/St StanleyBG/stan12.htm>.

(Continued)

Primary Examiner—Sandra Snapp
Assistant Examiner—Patricia Palasik
(74) *Attorney, Agent, or Firm*—Kilpatrick Stockton LLP; John S. Pratt; Camilla C. Williams

(57) **CLAIM**

The ornamental design for a file and rasp grip, as shown and described.

DESCRIPTION

FIG. 1 is a perspective view of a file and rasp grip, showing my new design.

FIG. 2 is a front elevation view of the file and rasp grip of FIG. 1, the rear elevation view being a mirror image of the front view.

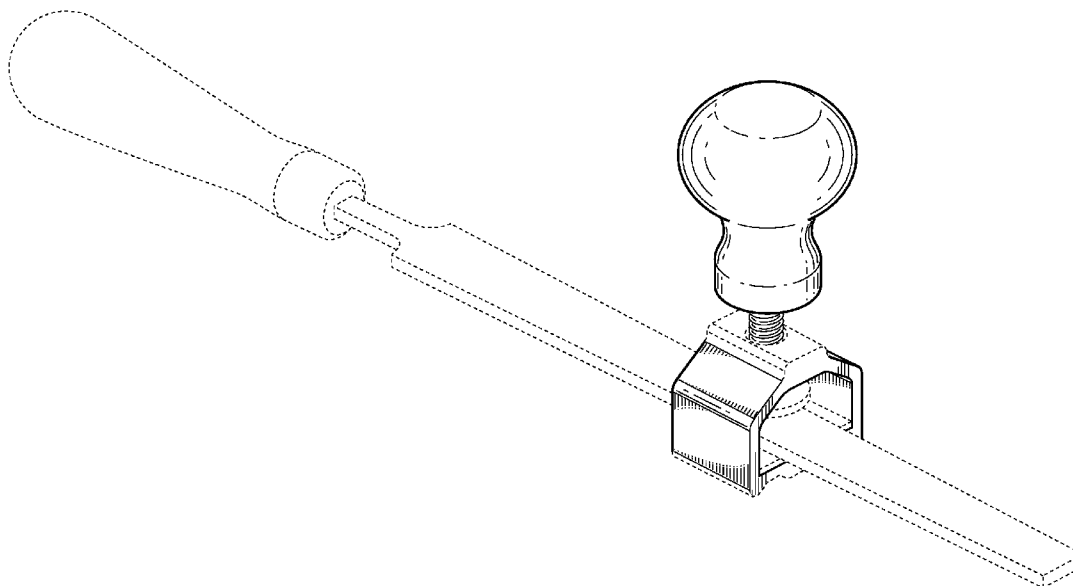
FIG. 3 is a right side elevation view of the file and rasp grip of FIG. 1, the left side elevation view being a mirror image of the right side view.

FIG. 4 is a top plan view of the file and rasp grip of FIG. 1; and,

FIG. 5 is a bottom plan view of the file and rasp grip of FIG. 1.

The broken lines in the drawings form no part of the claimed design.

1 Claim, 2 Drawing Sheets



US D611,513 S

U.S. PATENT DOCUMENTS								
40,437	A	10/1863	Tuells	1,696,584	A	12/1928	Schwer	
41,571	A	2/1864	Cushman	1,726,124	A	8/1929	Rodionoff	
55,599	A	6/1866	Bailey	1,825,859	A	10/1931	Foy	
97,833	A	12/1869	Tanner et al.	1,914,609	A	6/1933	MacAller	
135,341	A	1/1873	Jones	1,929,504	A	10/1933	MacAller	
141,475	A	8/1873	Traut	1,955,395	A	4/1934	Tueth	
152,488	A	6/1874	Hawley	D93,763	S	11/1934	Dunn	
174,879	A	3/1876	Vetterlein	D137,230	S	2/1944	Oxhandler	
176,151	A	4/1876	Traut	2,347,570	A	4/1944	Lavietes	
234,038	A	11/1880	Johnson	2,358,997	A	9/1944	Pritz	
240,076	A	4/1881	Bauer	2,371,946	A	3/1945	Benn	
245,093	A	8/1881	Reeder	D141,110	S	5/1945	Doniger	
257,870	A	5/1882	Humphrey	2,453,126	A	11/1948	Forcier	
272,801	A	2/1883	Tiuppler et al.	D159,339	S	7/1950	Huxtable	
274,600	A	3/1883	Hegglund	2,550,377	A	4/1951	Pratt	
284,777	A	9/1883	Traut	2,550,766	A	5/1951	Bryant	
294,724	A	3/1884	Cope et al.	2,568,665	A	9/1951	Shaler	
296,207	A	4/1884	Mosher et al.	2,570,980	A	10/1951	Powell	
305,603	A	9/1884	Keiser	2,645,259	A	7/1953	Ackland	
306,877	A	10/1884	Traut	2,648,363	A	8/1953	Weber	
315,014	A	4/1885	Duncan et al.	2,655,721	A	10/1953	Einhorn	
319,161	A	6/1885	Williams et al.	2,682,699	A	7/1954	Merrill	
323,804	A	8/1885	Gage	2,693,029	A	11/1954	Kass	
326,435	A	9/1885	Kendall et al.	2,694,260	A	11/1954	Johansson	
335,856	A	2/1886	Traut	2,758,619	A	8/1956	Swanson et al.	
352,056	A	11/1886	Hilderbrand	2,839,109	A	6/1958	Wilson et al.	
356,429	A	1/1887	Stearns	2,869,599	A	1/1959	Palm	
357,898	A	2/1887	Benson	2,969,097	A	1/1961	Kulbersh et al.	
368,003	A	8/1887	Polhemus	3,120,250	A	2/1964	Dakin	
383,950	A	6/1888	Haynes	D207,503	S	4/1967	Liebow	
406,392	A	7/1889	Finley	3,523,348	A	8/1970	Nilsson	
D22,208	S	2/1893	Schade	3,710,467	A	1/1973	Coon et al.	
504,003	A	8/1893	Traut	3,763,531	A	10/1973	Dancsik	
528,829	A	11/1894	Traut	D231,822	S	6/1974	Carter	
555,228	A	2/1896	Traut	3,871,100	A	3/1975	Hildebrandt	33/42
609,681	A	8/1898	Kniffe et al.	3,983,595	A	10/1976	Knudsen et al.	
636,830	A	11/1899	Miller	4,015,649	A	4/1977	Gilbert	
645,220	A	3/1900	Traut	4,027,388	A	6/1977	Fletcher	
D33,589	S	11/1900	Higgins	D247,545	S	3/1978	Banner	
668,299	A	2/1901	Traut	4,088,165	A	5/1978	Andersson	
685,411	A	10/1901	Schade et al.	4,103,421	A	8/1978	Quenot	
744,411	A	11/1903	Sarasin	4,240,202	A	12/1980	Gilbert	
749,827	A	1/1904	Sjolander	D260,235	S	8/1981	Anderson et al.	D8/394
752,365	A	2/1904	Spear	D260,728	S	9/1981	Breger	
779,392	A	1/1905	Bjordal	4,414,745	A	11/1983	Kuhlmann et al.	30/373
781,771	A	2/1905	Gardner	D271,937	S	12/1983	Combs	
793,297	A	6/1905	Hesley et al.	4,472,867	A	9/1984	Wivinis	
821,525	A	5/1906	Nordquist	D276,272	S	11/1984	Weissenburger	D24/176
837,978	A	12/1906	Traut	4,492,260	A	1/1985	Whiteford	
865,560	A	9/1907	Bartlet et al.	4,498,513	A	2/1985	Derivaz	
902,977	A	11/1908	Link	4,589,209	A	5/1986	Zarges et al.	
917,568	A	4/1909	Ekman	4,791,732	A	12/1988	Bruno et al.	
960,256	A	6/1910	Bodmer	4,799,315	A	1/1989	Ziegler	30/293
968,508	A	8/1910	Bodmer	4,825,676	A	5/1989	Diggins	
1,012,591	A	12/1911	Bodmer et al.	4,930,221	A	6/1990	Taylor	
1,016,608	A	2/1912	Carretti	D309,089	S	7/1990	Tsuji	
1,026,053	A	5/1912	Saner	D313,190	S	12/1990	Economaki	
1,090,225	A	3/1914	Page	5,008,551	A	4/1991	Randolph	
1,098,706	A	6/1914	Bodmer	5,050,306	A	9/1991	Renaud	
1,173,164	A	2/1916	Berkman	D320,731	S	10/1991	Pink et al.	D8/107
1,221,436	A	4/1917	Gaede	D325,692	S	4/1992	Johnson	
1,264,350	A	4/1918	Unsinger	5,111,584	A	5/1992	Lero et al.	
1,332,919	A	3/1920	Ritter	5,136,786	A	8/1992	Calagui	
1,399,631	A	12/1921	Lofdahl et al.	5,197,195	A	3/1993	Aikens	
1,412,888	A	4/1922	Novak	D335,803	S	5/1993	Ohsumi	
1,417,857	A	5/1922	Pfeiffer	5,212,870	A	5/1993	Chi	
1,433,321	A	10/1922	Wigtill et al.	5,235,751	A	8/1993	Landgraf	30/169
1,448,775	A	3/1923	Trump	5,353,507	A	10/1994	Lee et al.	
1,567,342	A	12/1925	Szako	5,459,928	A	10/1995	Lynn et al.	
1,618,604	A	2/1927	Riggs	D371,497	S	7/1996	Cottone	D8/72
1,663,935	A	3/1928	Cornell	5,694,696	A	12/1997	Lee et al.	
				D396,179	S	7/1998	Burns	
				D399,147	S	10/1998	Tang et al.	D10/70

D401,834 S 12/1998 Burn et al.
 D424,215 S * 5/2000 Eyring et al. D25/122
 D435,771 S * 1/2001 Miller D8/73
 D435,777 S 1/2001 Jones et al.
 6,167,628 B1 1/2001 Jones et al.
 6,216,348 B1 4/2001 Martirossian
 D443,493 S * 6/2001 Skeem D8/72
 6,334,259 B1 * 1/2002 Harvey 33/42
 6,408,527 B1 6/2002 Chubb
 D465,396 S 11/2002 Song
 6,558,091 B2 5/2003 Smith et al.
 6,615,497 B1 9/2003 Saunders et al.
 D481,288 S 10/2003 Saunders
 D497,668 S 10/2004 Bogazzi
 D499,770 S 12/2004 Siemers
 D516,404 S 3/2006 Siemers
 D517,931 S 3/2006 Hyde
 7,117,602 B2 10/2006 Saunders
 D534,061 S * 12/2006 Sakai D8/373
 D535,540 S 1/2007 Caplan
 D556,531 S * 12/2007 Allen et al. D8/72
 D563,190 S 3/2008 Lee et al.
 D565,385 S 4/2008 Jou
 D569,220 S 5/2008 McConnell
 7,370,426 B2 * 5/2008 Choi 33/42
 7,377,044 B2 5/2008 Economaki
 7,444,750 B2 11/2008 Saunders
 D591,580 S 5/2009 Hyde et al.
 7,553,216 B2 6/2009 Hyde et al.
 D595,558 S 7/2009 Saunders
 D597,815 S 8/2009 Saunders
 2003/0037446 A1 2/2003 Saunders et al.
 2004/0068878 A1 4/2004 Lin
 2004/0074098 A1 4/2004 Schwarz et al.
 2005/0061398 A1 3/2005 Saunders
 2005/0229409 A1 10/2005 Lee et al.
 2005/0252266 A1 11/2005 Perkins
 2007/0044328 A1 3/2007 Economaki
 2008/0085164 A1 4/2008 Saunders et al.

FOREIGN PATENT DOCUMENTS

DE 0046033 12/1887
 DE 20215203 U1 11/2002
 GB 2280868 2/1995
 GB 2391828 4/2005
 SE 149704 12/1951

SE 134377 1/1952

OTHER PUBLICATIONS

"#289 Filletster and Rabbet Plane, 8½"L, 1¾"W (1⅞"W, 1936 on), 3¾lbs, 1911-1948", The Superior Works—Patrick's Blood and Gore: Planes #90 -#100 <http://www.supertool.com/StanleyBG/stan14.htm>.
 "#78 Duplex Filletster and Rabbet Plane, 8½"L (8¼", 1936on) 1½"W, 3lbs, 1885-1973", The Superior Works: Stanley Blood and Gore Planes #71-#87 <http://www.supertool.com/StanleyBG/stan10.htm>.
 "12-052-10 Blade Plough Combination Plane".
 "1998/1999 Issue of Lee Valley & Veritas(r) Catalog", copyright 1988 , 26 & 27.
 "Garret Wade Woodworking Websight", Woodworking Products Jun. 5, 2007.
 "Picture of Stanley 112 Cabinet Scraper Plane", <http://www.goantiques.com/scripts/images/id.823461.html>.
 "Pictures of No. 5 Windsor Bearer".
 "Screwdrivers", Lie-Nielsen Toolworks USA; <http://www.lie-nielsen.com/catalog.php?sku=SCR.1995>.
 "Shop Solutions, Scraper Holder", Shopnotes, Issue 3 , 26.
 "Small Router Plane", Lie-Nielsen Toolworks Inc., <http://www.lie-nielsen.com/catalog.php?sku=271.1995>.
 "Spoon Shave", <http://www.woodcraft.com/images/family/web4867big.jpg> Jun. 28, 2006.
 "VarvillSkew Mouth Rabbet Plane", Old Tools.co.uk and Collectables,http://oldtools.co.uk/tools/planes/_scrapers/wooden.planes/wooden.plane.p1814.php.
 "Veritas Small Plow Plane", Lee Valey and Veritas <http://www.leevalley.com/wood/page.aspx?c=57678&cat=1,41182>.
 Cohen, Derek "The Lee Valley Router Plane", Old Tools Shop, www.OldToolsShop.com Jan. 12, 2006.
 Frampton, Alice "Wheel Marking Gauges Review", Woodworking Magazine, WoodCentral (2005); http://www.woodcentral.com/cgi-bin/readarticle.pl?dir=reviews&file=articles_734.shtml Nov. 29, 2006.
 Item Numbered U, "Highland Hardware Catalog titled Woodworking Tools, Books & Supplies", Fall 91/Winter 92 Catalog , 83.
 Leonard, Lee "The Complete Guide to Sharpening, A Fine Woodworking Book", , 229-233.
 Southerland, Jay No. 71 Router type study(online) Mar. 2003.
 Walter, John "Antique & Collectible Stanley Tools Guide to Identity and Value", #112 Cabinet Scraper Plane, The Tool Merchant, Marietta, Ohio Sep. 1996.

* cited by examiner

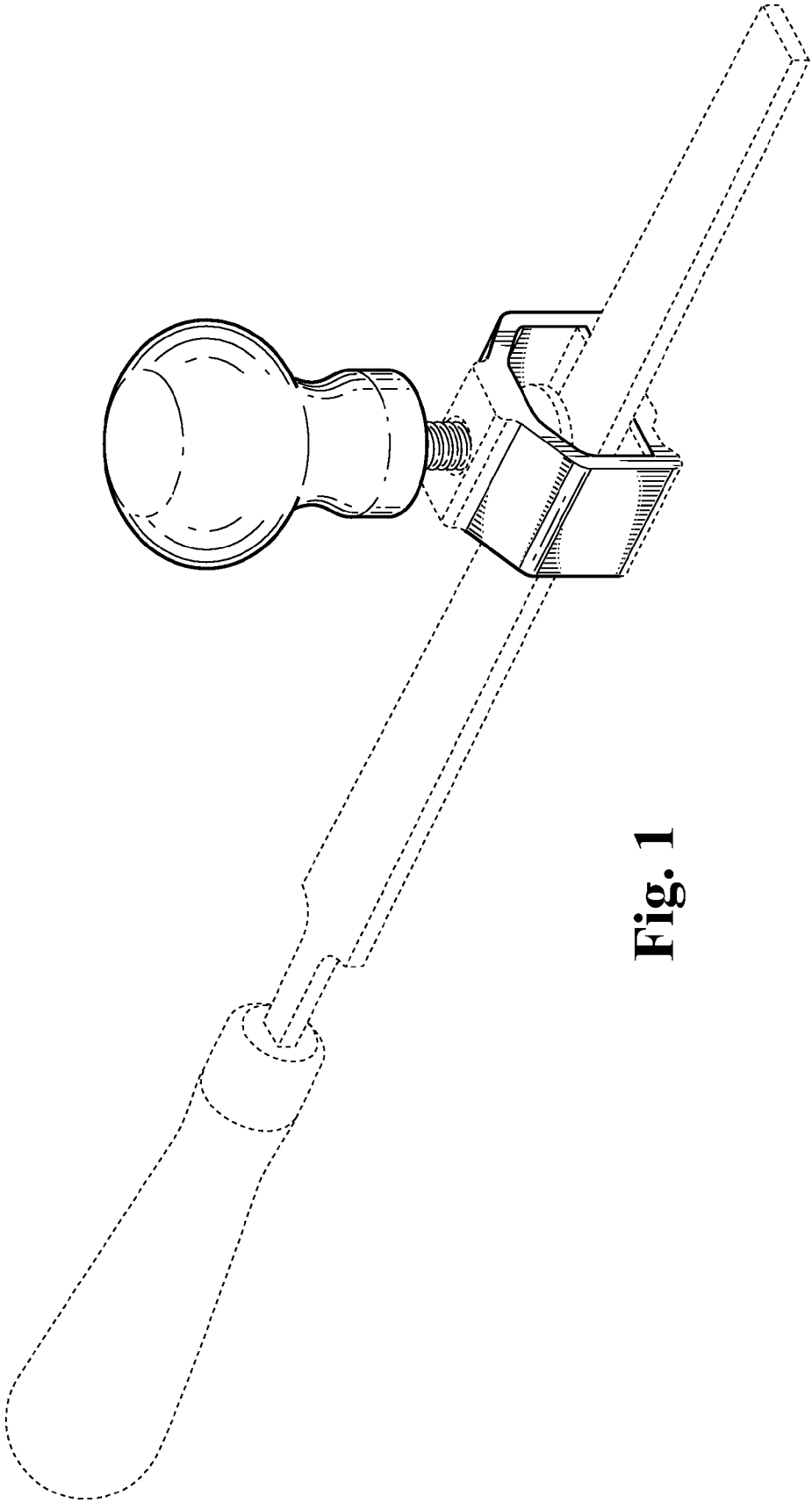


Fig. 1

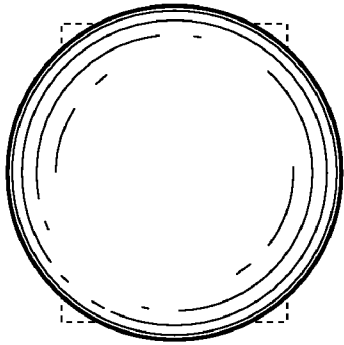


Fig. 4

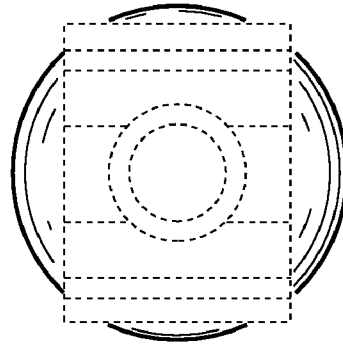


Fig. 5

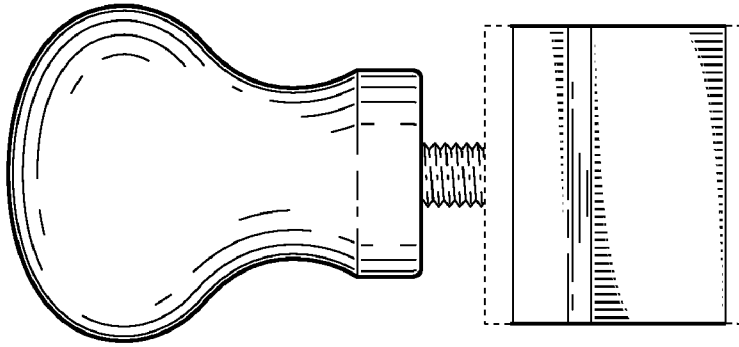


Fig. 3

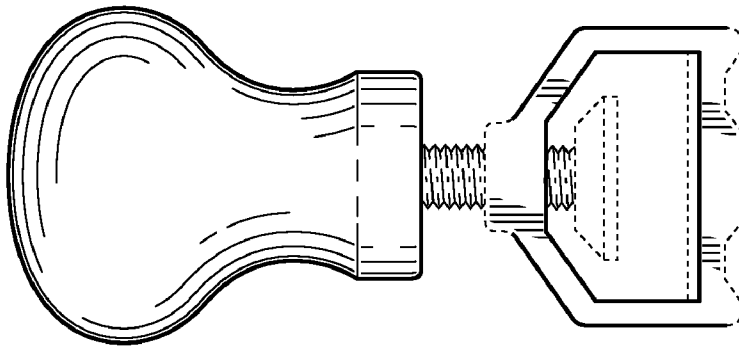


Fig. 2