



US00D616591S

(12) **United States Design Patent**  
**Yang**

(10) **Patent No.:** **US D616,591 S**

(45) **Date of Patent:** **\*\* May 25, 2010**

(54) **LAMP**

(76) Inventor: **Roger Yang**, 83, Zuojhen Vil., Zuojhen Township, Zuojhen, Tainan County (TW)

(\*\*) Term: **14 Years**

(21) Appl. No.: **29/340,192**

(22) Filed: **Jul. 15, 2009**

(51) **LOC (9) Cl.** ..... **26-05**

(52) **U.S. Cl.** ..... **D26/65; D26/66**

(58) **Field of Classification Search** ..... D26/61-65,  
D26/107; 362/269, 275, 285, 371, 410, 413,  
362/414, 418, 419, 426, 427

See application file for complete search history.

(56) **References Cited**

**U.S. PATENT DOCUMENTS**

D158,617	S	*	5/1950	Rosenberg	.....	D26/63
3,345,024	A	*	10/1967	Victor	.....	248/122.1
D245,874	S	*	9/1977	Lap	.....	D26/54
4,280,172	A	*	7/1981	Krogsrud	.....	362/269
D269,297	S	*	6/1983	Lebowitz	.....	D26/65
D322,863	S	*	12/1991	Chin-Song	.....	D26/65
5,084,810	A	*	1/1992	Huang	.....	362/410

D411,638	S	*	6/1999	Schaak et al.	.....	D26/62
D469,202	S	*	1/2003	Tsai	.....	D26/65
D480,827	S	*	10/2003	Hsieh	.....	D26/108
D506,018	S	*	6/2005	Campo	.....	D26/62
7,048,417	B1	*	5/2006	Faure	.....	362/413

\* cited by examiner

*Primary Examiner*—Clare E Heflin

(74) *Attorney, Agent, or Firm*—Alan Kamrath; Kamrath & Associates PA

(57) **CLAIM**

The ornamental design for a lamp, as shown and described.

**DESCRIPTION**

FIG. 1 is a perspective view of a lamp showing my design;

FIG. 2 is a front elevational view thereof;

FIG. 3 is a rear elevational view thereof;

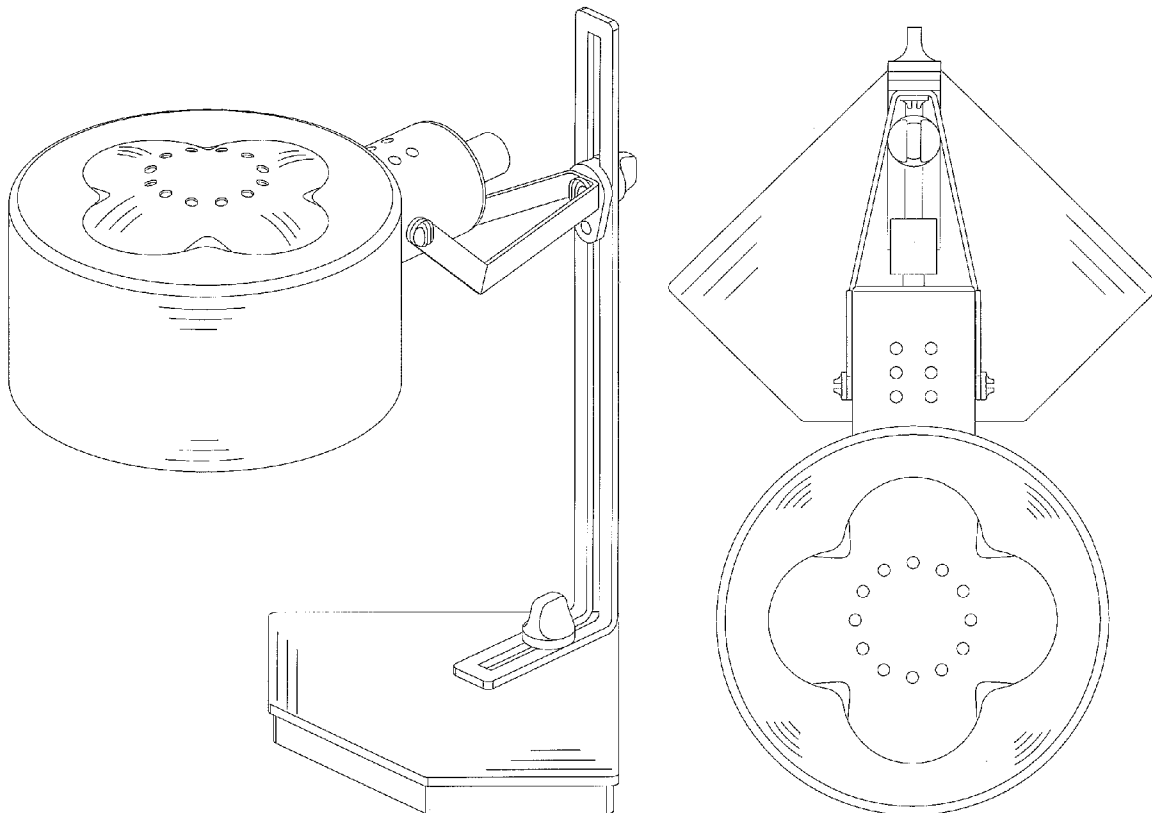
FIG. 4 is a left side elevational view thereof;

FIG. 5 is a right side elevational view thereof;

FIG. 6 is a top plan view thereof; and,

FIG. 7 is a bottom plan view thereof.

**1 Claim, 7 Drawing Sheets**



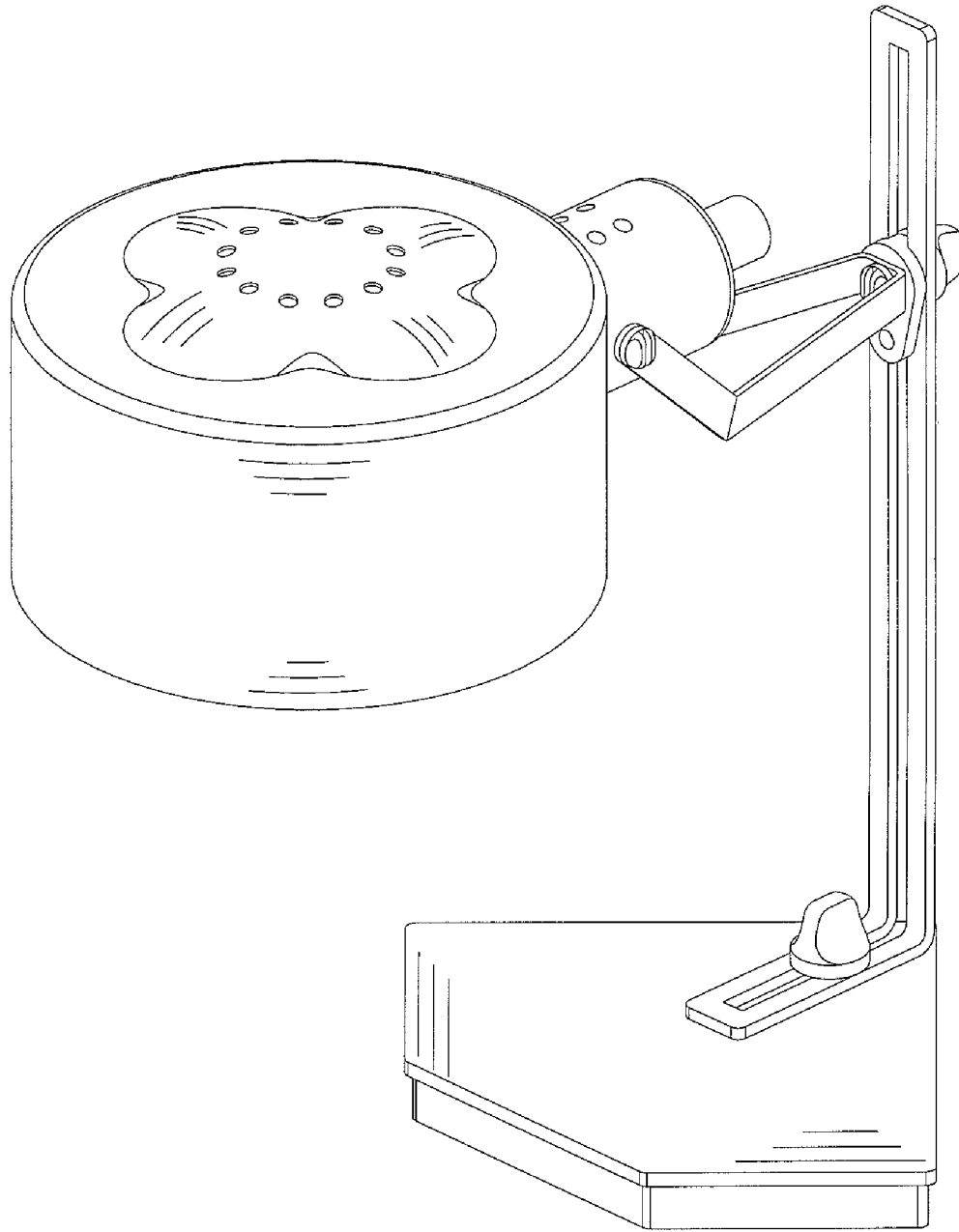


FIG. 1

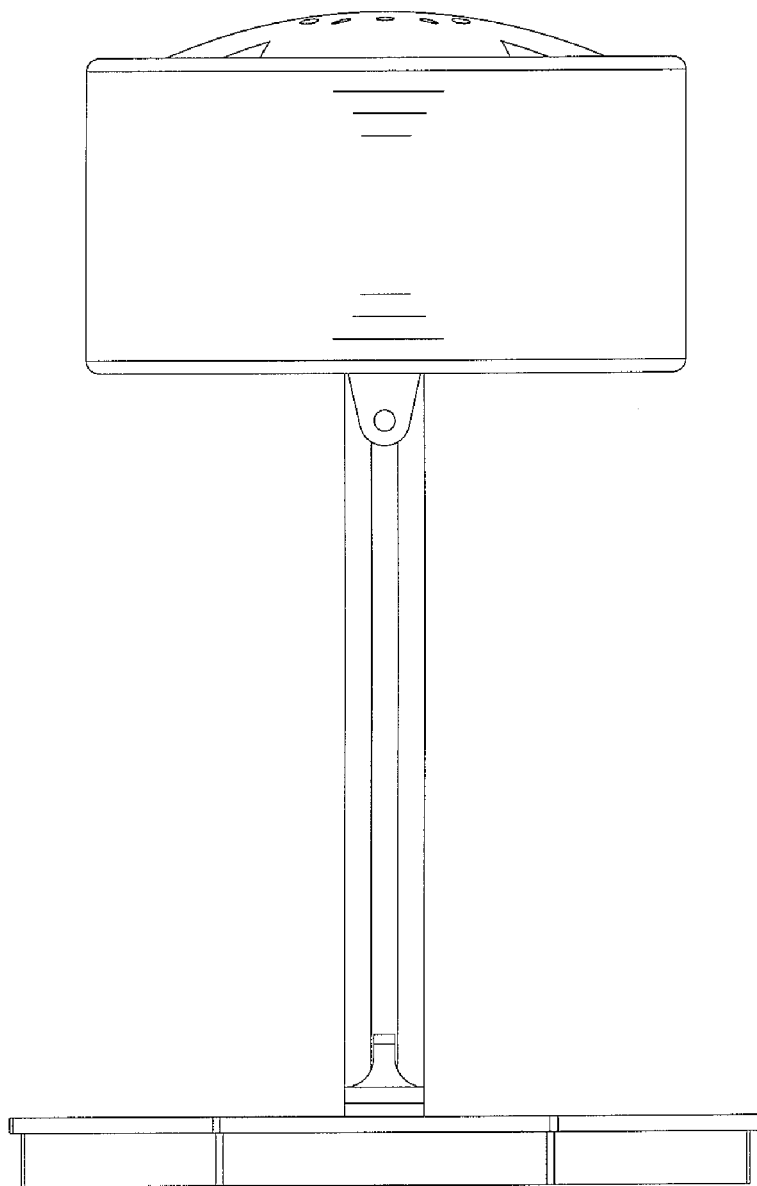


FIG. 2

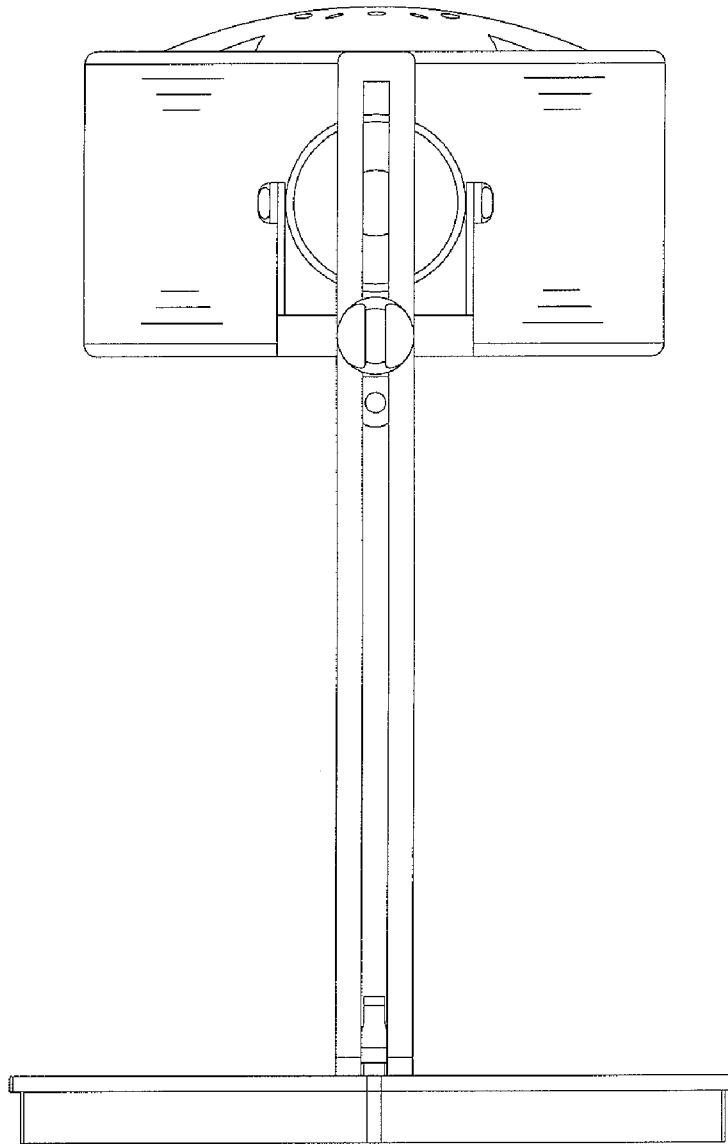


FIG. 3

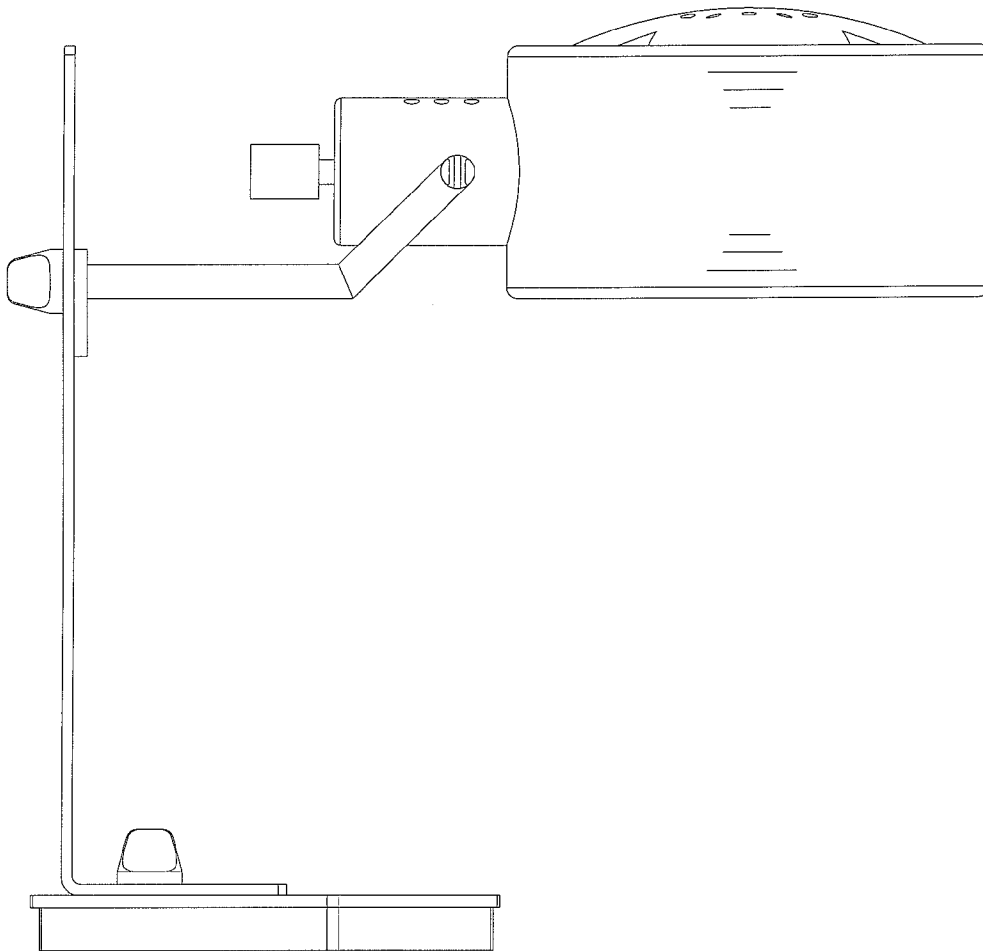


FIG. 4

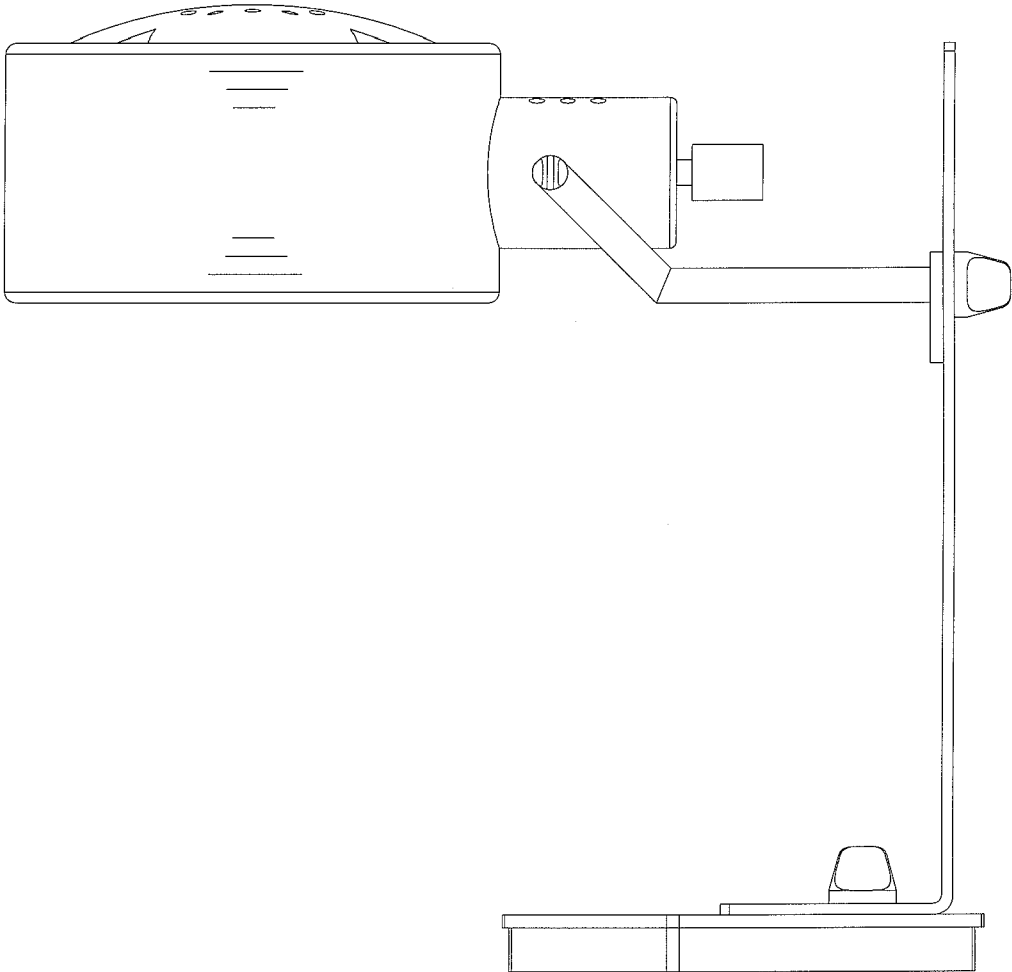


FIG. 5

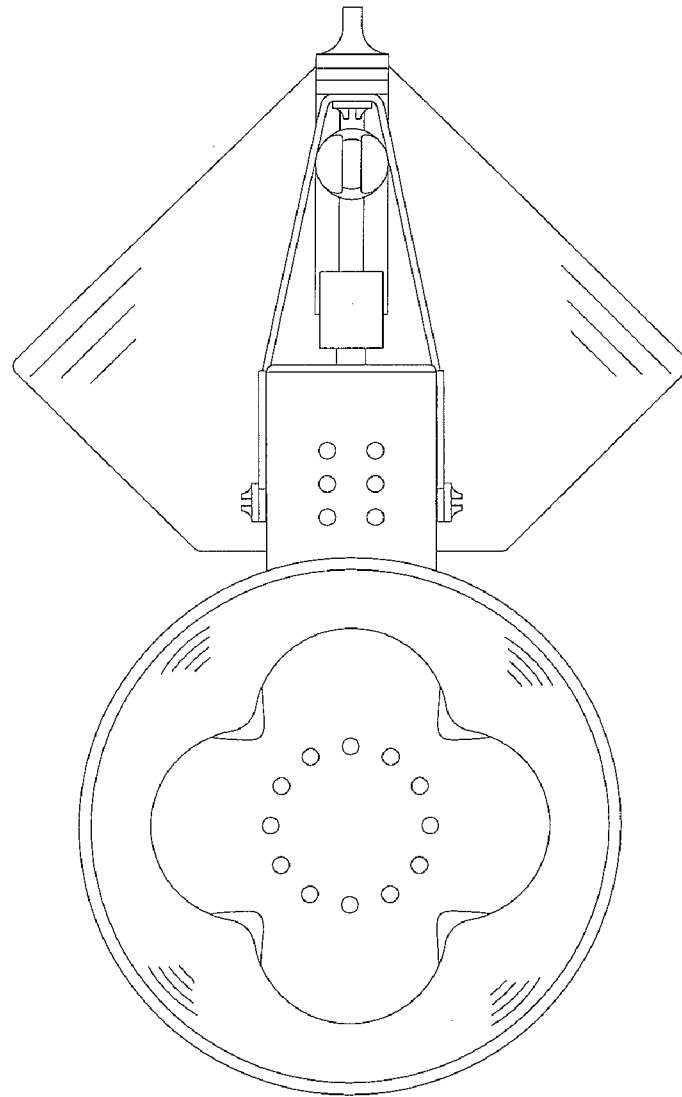


FIG. 6

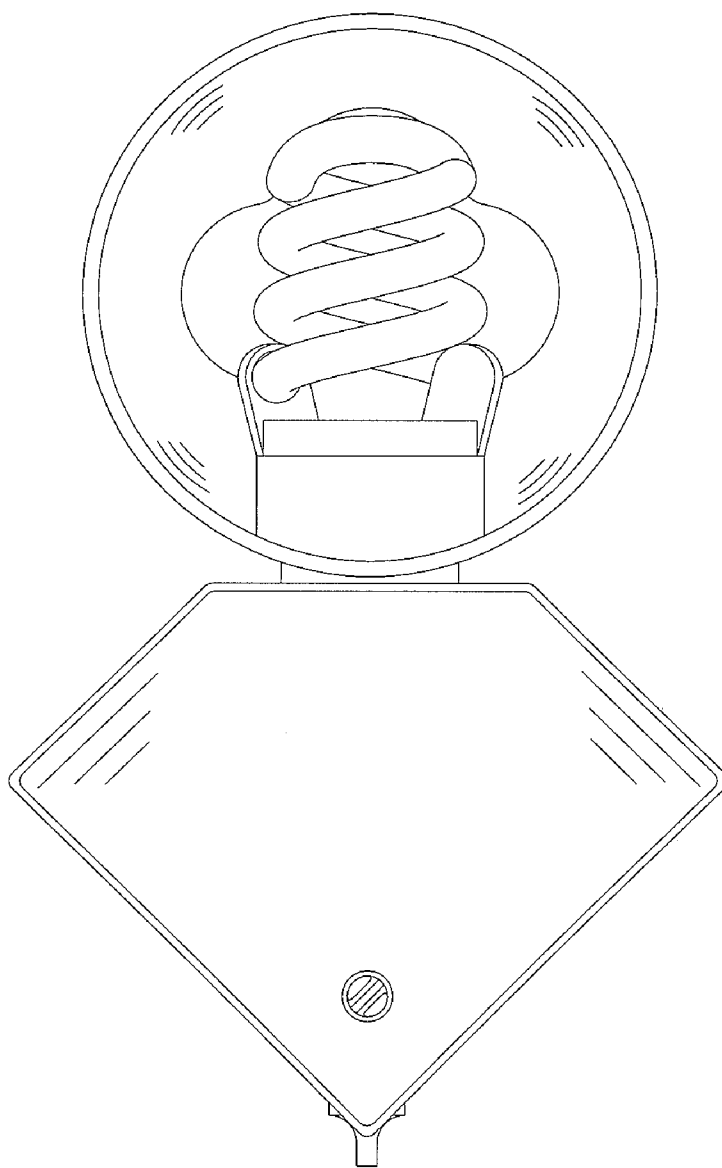


FIG. 7