



US00D875448S

(12) **United States Design Patent**
Reinhart et al.

(10) **Patent No.:** **US D875,448 S**
(45) **Date of Patent:** **** Feb. 18, 2020**

- (54) **SHELF ASSEMBLY**
- (71) Applicant: **CREATIVE PLASTIC CONCEPTS, LLC**, Sycamore, OH (US)
- (72) Inventors: **Nickolas Reinhart**, Findlay, OH (US); **Jacob H. Whitta**, Findlay, OH (US)
- (73) Assignee: **Creative Plastic Concepts, LLC**, Sycamore, OH (US)

D777,480 S *	1/2017	Anderson	D6/675.2
D777,491 S *	1/2017	Brooks	D6/705.7
9,717,330 B2	8/2017	Reinhart		
D798,090 S *	9/2017	Fitzgerald	D6/705.6
D824,114 S *	7/2018	Couse	D30/119
10,124,479 B2	11/2018	Reinhart		
D848,190 S *	5/2019	Ni	D6/705.7
D859,893 S *	9/2019	Fitzgerald	D6/675.2
2017/0290428 A1	10/2017	Reinhart		
2019/0069676 A1*	3/2019	Hanlon	A47B 47/0083

* cited by examiner

(**) Term: **15 Years**

Primary Examiner — Kelley A Donnelly

(21) Appl. No.: **29/664,922**

(74) Attorney, Agent, or Firm — Jacob M. Ward; Ward Law Office LLC

(22) Filed: **Sep. 28, 2018**

(51) **LOC (12) Cl.** **06-06**

(52) **U.S. Cl.**
USPC **D6/705.7**

(58) **Field of Classification Search**
USPC D6/705, 705.2, 705.5, 705.7; D7/402, D7/409; D24/224, 227, 230
CPC A47B 57/00; A47B 57/265; A47B 96/00; A47B 96/02; A47F 5/0043; A47F 1/00
See application file for complete search history.

(57) **CLAIM**

The ornamental design for a shelf assembly, as shown and described.

DESCRIPTION

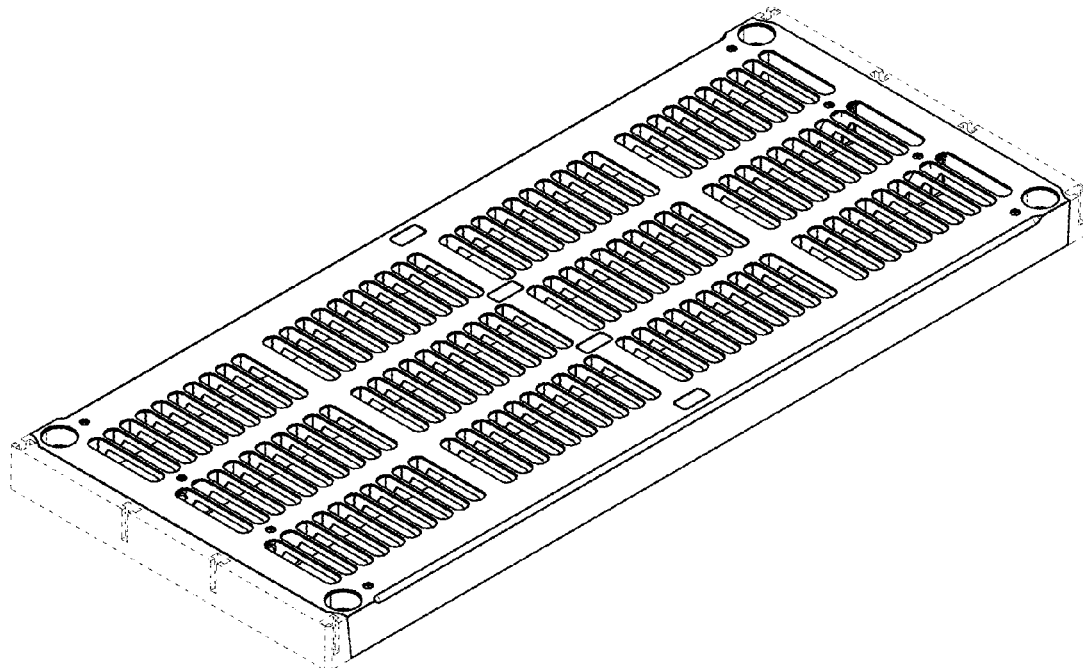
FIG. 1 is a top perspective view of a shelf assembly; FIG. 2 is a bottom perspective view thereof; FIG. 3 is a top plan view thereof; FIG. 4 is a bottom plan view thereof; FIG. 5 is a right side elevational view thereof; and, FIG. 6 is a front elevational view thereof. A left side elevational view is not shown because it is identical to the right side elevational view shown in FIG. 5. A rear elevational view is not shown because it is identical to the front elevational view shown in FIG. 6. The ornamental design which is claimed is shown in solid lines in the drawings. The broken lines shown in the drawings are for the purpose of illustrating environmental structure and form no part of the claimed design.

(56) **References Cited**

U.S. PATENT DOCUMENTS

D241,297 S *	9/1976	Maslow et al.	D6/705.7
D312,545 S *	12/1990	Cohn	D30/120
D338,792 S *	8/1993	Chap	D30/120
D341,967 S *	12/1993	Cohn	D6/705.7
D375,857 S *	11/1996	De Blois	D6/705.7
D383,339 S *	9/1997	Grosfillex	D6/705.7
D385,444 S *	10/1997	Welch	D6/705.7
9,474,374 B2	10/2016	Reinhart		
D775,883 S *	1/2017	Mason	D6/705

1 Claim, 3 Drawing Sheets



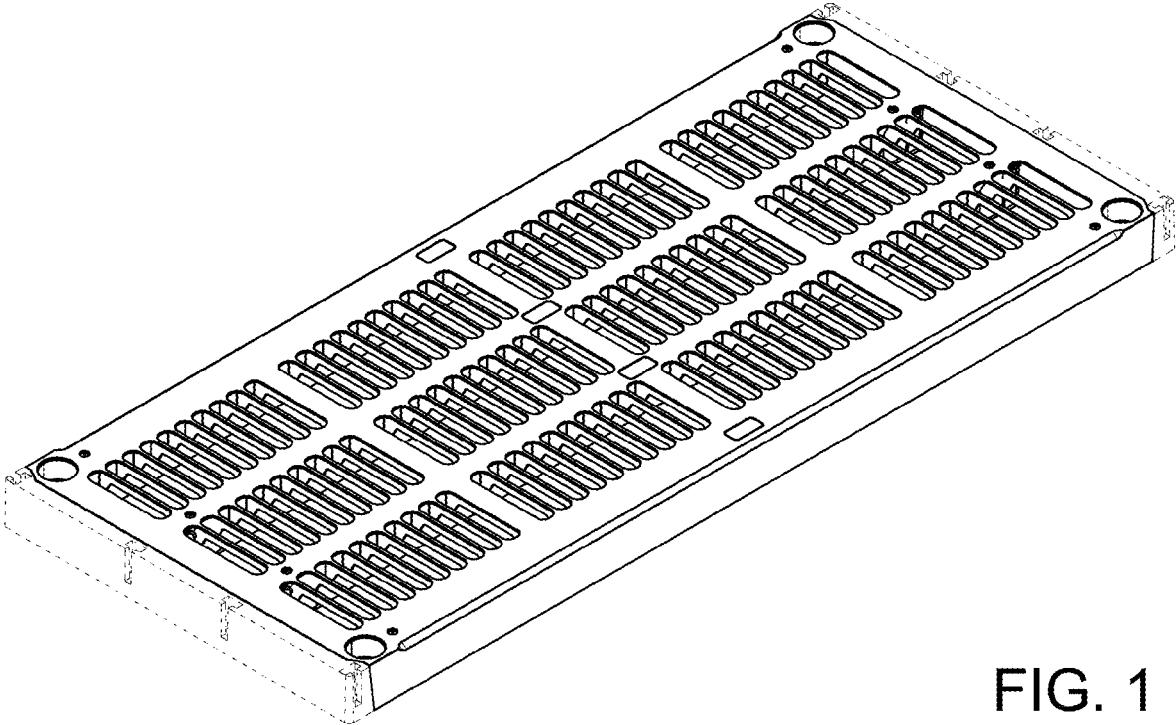


FIG. 1

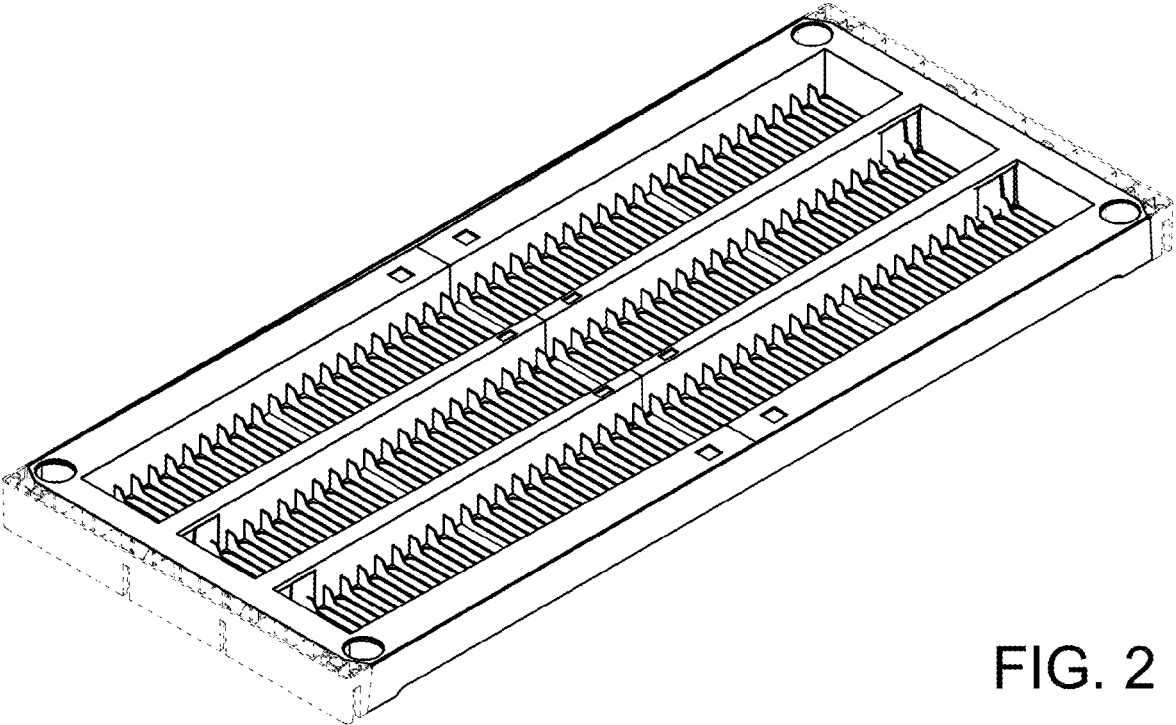


FIG. 2

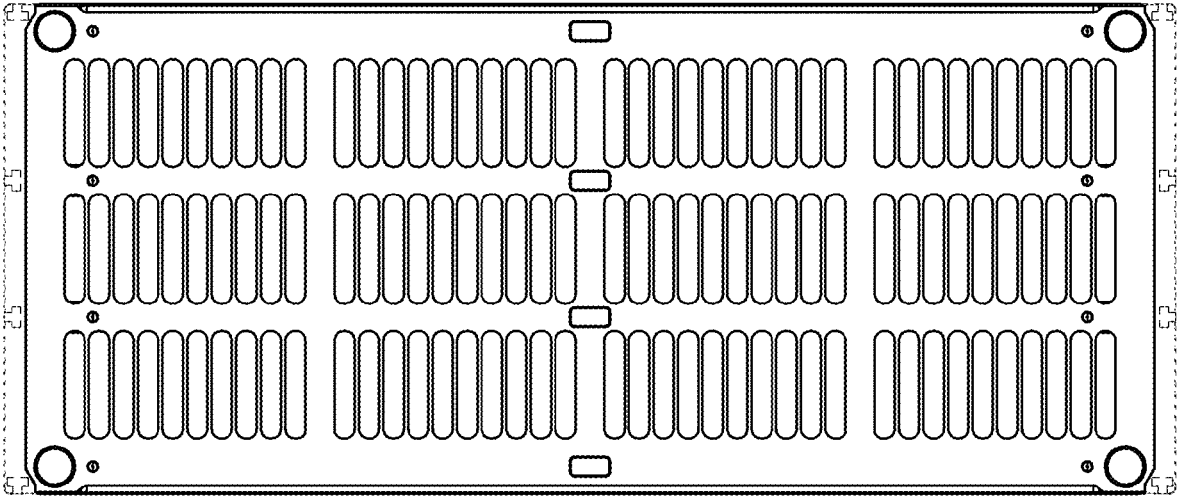


FIG. 3

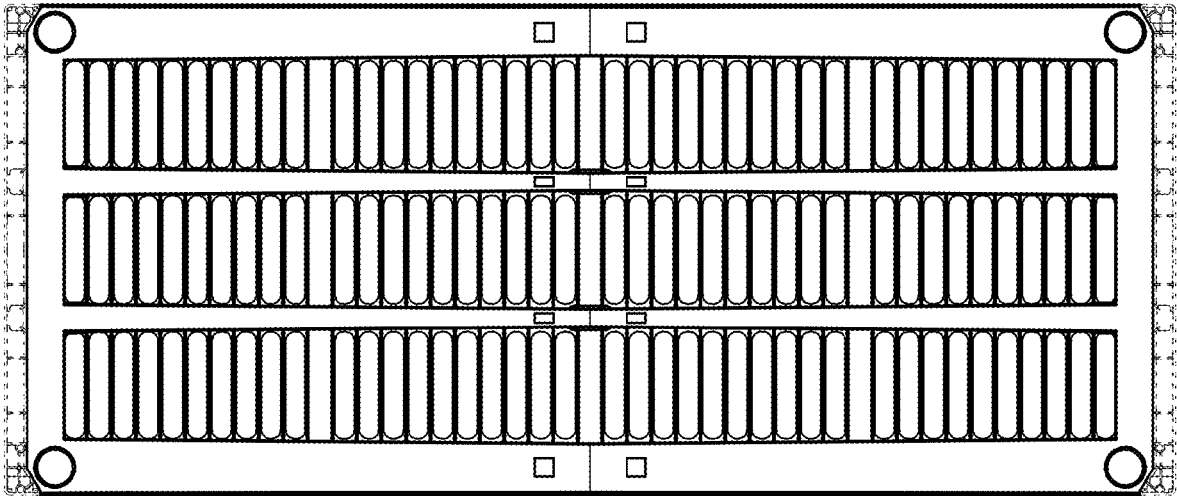


FIG. 4

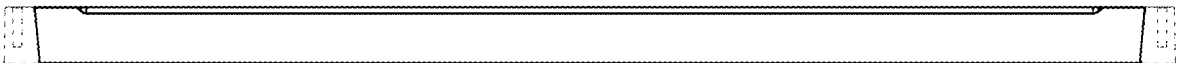


FIG. 5



FIG. 6