



US00D565679S

(12) **United States Design Patent**
Cameron

(10) **Patent No.:** **US D565,679 S**

(45) **Date of Patent:** **** *Apr. 1, 2008**

(54) **PUTTER HEAD**

(75) Inventor: **Don T. Cameron**, Carlsbad, CA (US)

(73) Assignee: **Acushnet Company**, Fairhaven, MA (US)

(*) Notice: This patent is subject to a terminal disclaimer.

(**) Term: **14 Years**

(21) Appl. No.: **29/269,902**

(22) Filed: **Dec. 11, 2006**

(51) **LOC (8) Cl.** **21-02**

(52) **U.S. Cl.** **D21/736**

(58) **Field of Classification Search** D21/736-746;
473/324-331, 340-341, 251-256
See application file for complete search history.

(56) **References Cited**

U.S. PATENT DOCUMENTS

D264,743 S *	6/1982	Mills	D21/736
D264,745 S *	6/1982	Mills	D21/736
D298,447 S *	11/1988	Cook	D21/741
D334,959 S *	4/1993	Iinuma et al.	D21/743
D380,800 S *	7/1997	Matsuoka	D21/738
D402,344 S	12/1998	Cleveland et al.		

D410,054 S	5/1999	Yu		
D412,194 S	7/1999	Drossos		
D447,198 S	8/2001	Shaw		
D463,517 S *	9/2002	Ngon	D21/736

* cited by examiner

Primary Examiner—Mitchell Siegel

(74) *Attorney, Agent, or Firm*—Kristin D. Wheeler

(57) **CLAIM**

The ornamental design for a putter head, as shown and described.

DESCRIPTION

FIG. 1 is a top perspective view of my new design for a putter head.

FIG. 2 is a top view thereof;

FIG. 3 is a heel side view thereof;

FIG. 4 is a toe side view thereof;

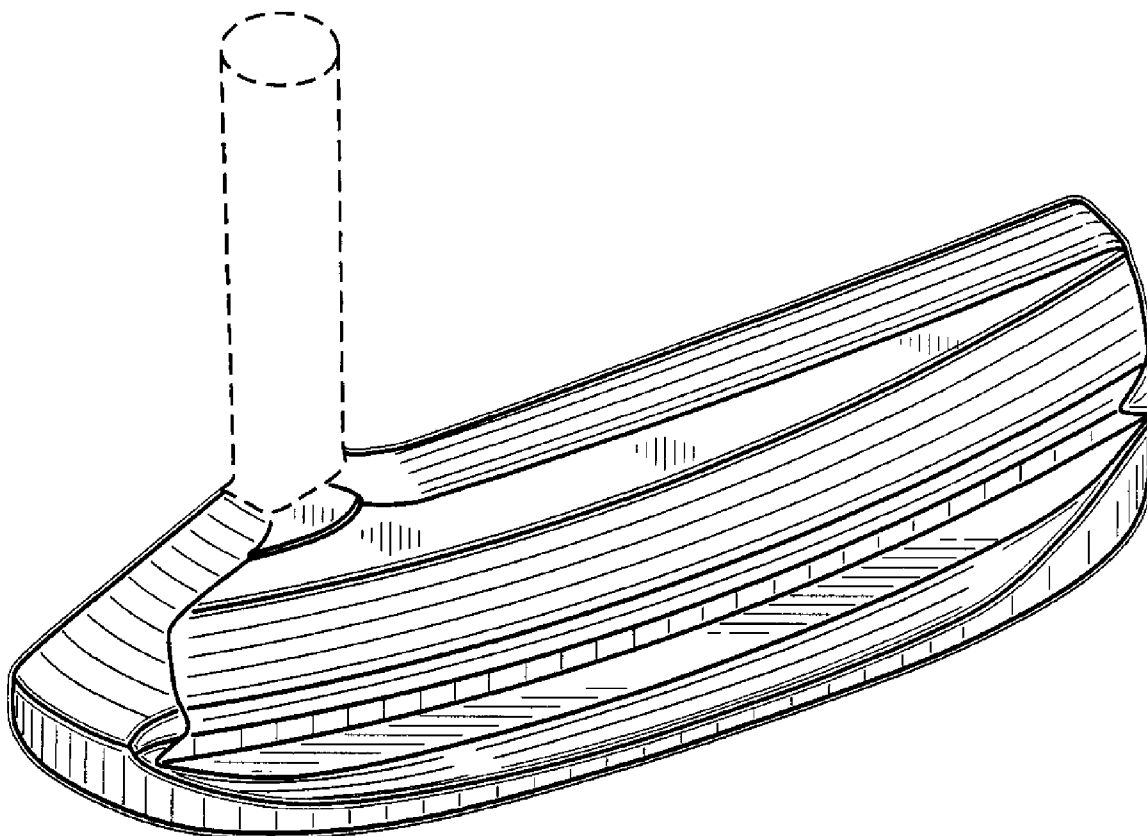
FIG. 5 is a back view thereof;

FIG. 6 is a bottom view thereof; and,

FIG. 7 is a front view thereof.

The portion of the club head shown in phantom does not form any portion of the present invention.

1 Claim, 2 Drawing Sheets



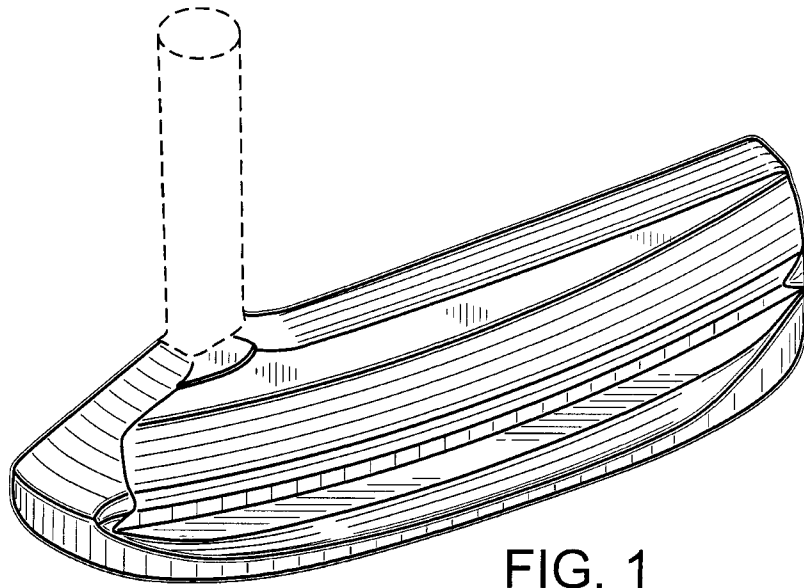


FIG. 1

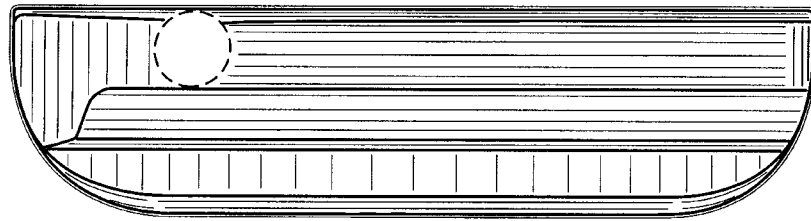


FIG. 2

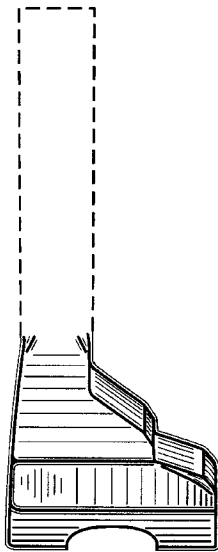


FIG. 3

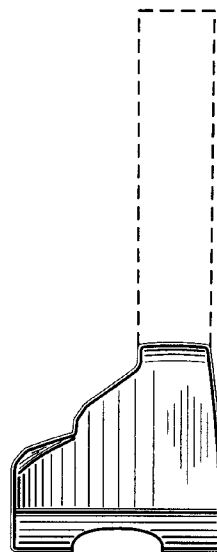


FIG. 4

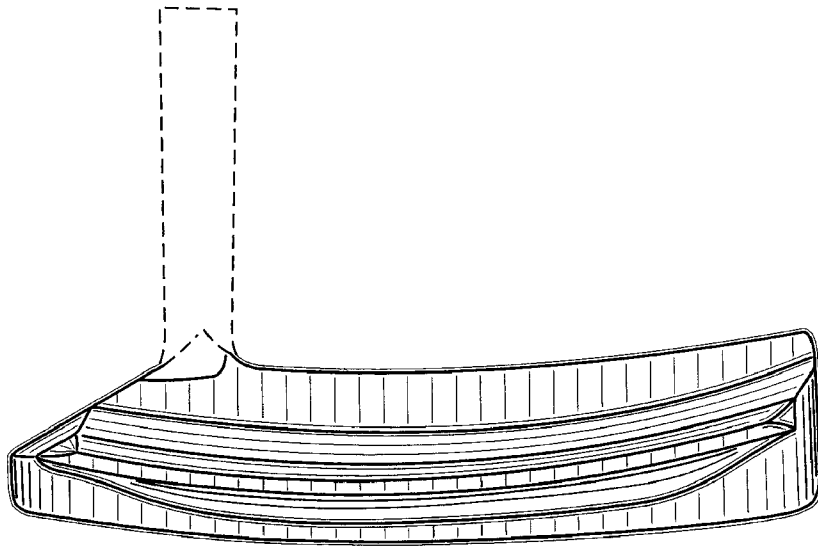


FIG. 5

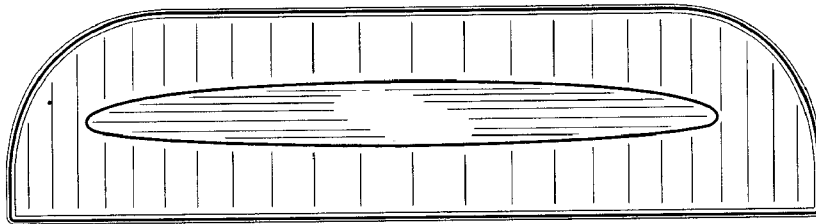


FIG. 6

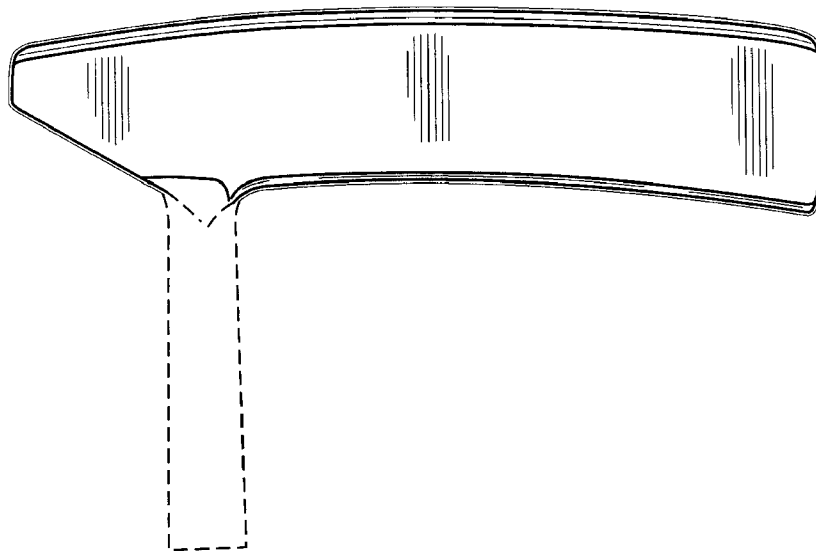


FIG. 7