



- (51) International Patent Classification:  
*G02B 27/01* (2006.01)    *G02B 27/28* (2006.01)
- (21) International Application Number:  
PCT/KR2017/001100
- (22) International Filing Date:  
2 February 2017 (02.02.2017)
- (25) Filing Language: English
- (26) Publication Language: English
- (30) Priority Data:  
62/294,303    12 February 2016 (12.02.2016)    US  
62/340,503    23 May 2016 (23.05.2016)    US  
10-2016-0079047    24 June 2016 (24.06.2016)    KR
- (71) Applicant: **LG ELECTRONICS INC.** [KR/KR]; 128, Yeoui-daero, Yeongdeungpo-gu, Seoul 07336 (KR).
- (72) Inventors: **KIM, Youngjin**; IP Center, LG Electronics Inc., 19, Yangjae-daero 11gil, Seocho-gu, Seoul 06772 (KR). **RYU, Juhyeok**; IP Center, LG Electronics Inc., 19, Yangjae-daero 11gil, Seocho-gu, Seoul 06772 (KR). **KIM, Dongwook**; IP Center, LG Electronics Inc., 19, Yangjae-daero 11gil, Seocho-gu, Seoul 06772 (KR). **LEE, Kyoungil**; IP Center, LG Electronics Inc., 19, Yangjae-daero 11gil, Seocho-gu, Seoul 06772 (KR). **LEE,**

Seunggyu; IP Center, LG Electronics Inc., 19, Yangjae-daero 11gil, Seocho-gu, Seoul 06772 (KR).

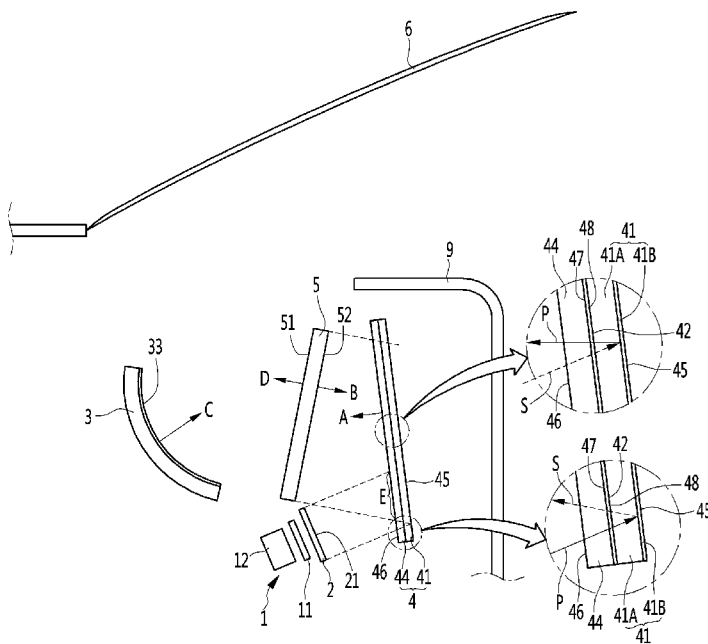
(74) Agent: **KIM, Ki Moon**; 6th Fl. Hyun Juk Bldg, 114 Yeoksam-ro, Gangnam-gu, Seoul 06252 (KR).

(81) Designated States (unless otherwise indicated, for every kind of national protection available): AE, AG, AL, AM, AO, AT, AU, AZ, BA, BB, BG, BH, BN, BR, BW, BY, BZ, CA, CH, CL, CN, CO, CR, CU, CZ, DE, DJ, DK, DM, DO, DZ, EC, EE, EG, ES, FI, GB, GD, GE, GH, GM, GT, HN, HR, HU, ID, IL, IN, IR, IS, JP, KE, KG, KH, KN, KP, KW, KZ, LA, LC, LK, LR, LS, LU, LY, MA, MD, ME, MG, MK, MN, MW, MX, MY, MZ, NA, NG, NI, NO, NZ, OM, PA, PE, PG, PH, PL, PT, QA, RO, RS, RU, RW, SA, SC, SD, SE, SG, SK, SL, SM, ST, SV, SY, TH, TJ, TM, TN, TR, TT, TZ, UA, UG, US, UZ, VC, VN, ZA, ZM, ZW.

(84) Designated States (unless otherwise indicated, for every kind of regional protection available): ARIPO (BW, GH, GM, KE, LR, LS, MW, MZ, NA, RW, SD, SL, ST, SZ, TZ, UG, ZM, ZW), Eurasian (AM, AZ, BY, KG, KZ, RU, TJ, TM), European (AL, AT, BE, BG, CH, CY, CZ, DE, DK, EE, ES, FI, FR, GB, GR, HR, HU, IE, IS, IT, LT, LU, LV, MC, MK, MT, NL, NO, PL, PT, RO, RS, SE, SI, SK,

[Continued on next page]

(54) Title: HEAD UP DISPLAY FOR VEHICLE



(57) Abstract: A head up display for a vehicle according to an embodiment includes a display panel configured to emit an image light; a polarized light plate configured to make the image light emitted from the display linearly polarized; a reflective mirror configured to reflect the image light onto a windshield of a vehicle; a polarized light reflective mirror configured to be disposed to face the reflective mirror; and a phase delay mirror configured to convert a phase of the light inputted from the polarized light plate and reflect the converted phase to the polarized light reflective mirror, and to convert a phase of the light reflected from the polarized light reflective mirror and reflect the converted phase to the polarized light reflective mirror, thereby minimizing a width in the forward and backward direction.

WO 2017/138711 A1

SM, TR), OAPI (BF, BJ, CF, CG, CI, CM, GA, GN, GQ, GW, KM, ML, MR, NE, SN, TD, TG). **Published:**

— with international search report (Art. 21(3))

## Description

### Title of Invention: HEAD UP DISPLAY FOR VEHICLE

#### Technical Field

- [1] The present disclosure relates to a head up display for a vehicle, and more particularly, to a head up display for a vehicle in which an image light emitted from a display panel is reflected several times and then emitted.

#### Background Art

- [2] A head up display for a vehicle is a device that is included in a vehicle to emit an image light toward a windshield of a vehicle. The head up display for a vehicle may display kinds of information including operation information while driving a vehicle.
- [3] The head up display for a vehicle includes a display panel to generate and output an image light, and at least one mirror to reflect the image light generated in the display panel.
- [4] The image light generated in the display panel may be incident onto the windshield by a mirror, and a driver may recognize a virtual image appearing ahead of the windshield.

#### Disclosure of Invention

##### Technical Problem

- [5] The present disclosure provides a head up display for a vehicle, capable of minimizing a width of the head up display in the forward and backward direction.

##### Solution to Problem

- [6] According to an embodiment of the present disclosure, there is provided a head up display for a vehicle, comprising a display panel configured to emit an image light; a polarized light plate configured to convert the image light emitted from the display panel into linearly polarized light; a phase delay mirror configured to receive light from the polarized light plate; a polarized light reflective mirror configured to receive light reflected from the phase delay mirror; and a reflective mirror, wherein the phase delay mirror is further configured to convert a phase of the light received from the polarized light plate into a first converted phase, and to reflect the first converted phase to the polarized light reflective mirror, wherein the polarized light reflective mirror is further configured to reflect the first converted phase back to the phase delay mirror, wherein the phase delay mirror is further configured to convert the first converted phase of the light reflected from the polarized light reflective mirror into a second converted phase, and to reflect the second converted phase back to the polarized light reflective mirror, wherein the polarized light reflective mirror is further configured to pass the second converted phase to the reflective mirror, and wherein the reflective

mirror is configured to reflect the second converted phase onto a windshield of a vehicle.

- [7]       Wherein the phase delay mirror is larger in size than each of the polarized light plate and the polarized light reflective mirror, and wherein the phase delay mirror faces the polarized light plate and the polarized light reflective mirror.
- [8]       Wherein a linearly polarized light having the same waveform as the linearly polarized light emitted from the polarized light plate is transmitted to the polarized light reflective mirror.
- [9]       Wherein a surface of the phase delay mirror includes an overlapped area where an area facing the polarized light reflective mirror and an area facing the polarized light plate are overlapped.
- [10]      Wherein the polarized light plate and the polarized light reflective mirror are non-parallel with one another.
- [11]      Wherein a portion of the polarized light plate is disposed between the polarized light reflective mirror and the phase delay mirror.
- [12]      Wherein uppermost portions of the phase delay mirror and the polarized light reflective mirror are closer to one another than lowermost portions of the phase delay mirror and the polarized light reflective mirror.
- [13]      Wherein lowermost portions of the phase delay mirror and the polarized light reflective mirror are closer to one another than uppermost portions of the phase delay mirror and the polarized light reflective mirror.
- [14]      The head up display further comprises a holder in which the polarized light plate, the polarized light reflective mirror and the phase delay mirror are arranged.
- [15]      Wherein the holder includes an inner holder having a front upper opening located in an upper front portion of the inner holder, a front lower opening located in a lower front portion of the inner holder, and a rear opening located in a rear portion of the inner holder, wherein the polarized light reflective mirror is disposed in the front upper opening, wherein the polarized light plate is disposed in the front lower opening, and wherein the phase delay mirror is disposed in the rear opening.
- [16]      Wherein the holder further includes: a phase delay mirror cover configured to be coupled to the inner holder and to cover a rear surface of the phase delay mirror; and a polarized light reflective mirror cover configured to be coupled to the inner holder and to cover a front perimeter of the polarized light reflective mirror.
- [17]      According to another embodiment of the present disclosure, there is provided a head up display for a vehicle, comprising a main body having a space therein; a display panel configured to emit an image light; a reflective mirror disposed in the space; and a mirror assembly disposed apart from the reflective mirror, wherein the mirror assembly includes: a holder; a polarized light plate located in the holder and configured to

convert the image light emitted from the display panel into linearly polarized light; a phase delay mirror located in the holder and configured to receive light from the polarized light plate; and a polarized light reflective mirror located in the holder and configured to receive light reflected from the phase delay mirror, wherein the phase delay mirror is further configured to convert a phase of the light received from the polarized light plate into a first converted phase, and to reflect the first converted phase to the polarized light reflective mirror, wherein the polarized light reflective mirror is further configured to reflect the first converted phase back to the phase delay mirror, wherein the phase delay mirror is further configured to convert the first converted phase of the light reflected from the polarized light reflective mirror into a second converted phase, and to reflect the second converted phase back to the polarized light reflective mirror, wherein the polarized light reflective mirror is further configured to pass the second converted phase to the reflective mirror, and wherein the reflective mirror is configured to reflect the second converted phase onto a windshield of a vehicle.

- [18]      Wherein the phase delay mirror is larger in size than each of the polarized light plate and the polarized light reflective mirror, and wherein the phase delay mirror faces the polarized light plate and the polarized light reflective mirror.
- [19]      wherein a linearly polarized light having the same waveform as the linearly polarized light emitted from the polarized light plate is transmitted to the polarized light reflective mirror.
- [20]      Wherein a surface of the phase delay mirror includes an overlapped area where an area facing the polarized light reflective mirror and an area facing the polarized light plate are overlapped.
- [21]      Wherein the polarized light plate and the polarized light reflective mirror are non-parallel with one another.
- [22]      Wherein a portion of the polarized light plate is disposed between the polarized light reflective mirror and the phase delay mirror, and wherein uppermost portions of the phase delay mirror and the polarized light reflective mirror are closer to one another than lowermost portions of the phase delay mirror and the polarized light reflective mirror.
- [23]      Wherein the holder includes an inner holder having a front upper opening located in an upper front portion of the inner holder, a front lower opening located in a lower front portion of the inner holder, and a rear opening located in a rear portion of the inner holder, wherein the polarized light reflective mirror is disposed in the front upper opening, wherein the polarized light plate is disposed in the front lower opening, and wherein the phase delay mirror is disposed in the rear opening.
- [24]      Wherein the holder further includes a phase delay mirror cover configured to be

coupled to the inner holder and to cover a rear surface of the phase delay mirror.

[25]     Wherein the holder further includes a polarized light reflective mirror cover configured to be coupled to the inner holder and to cover a front perimeter of the polarized light reflective mirror.

[26]

### **Advantageous Effects of Invention**

[27]     According to the present disclosure, there are advantages that an optical path is formed between the polarized light reflective mirror and the phase delay mirror in a zigzag pattern, capable of disposing the polarized light reflective mirror and the phase delay mirror as closely as possible to each other, minimizing the width of the head up display for a vehicle in the back and forth direction, and making the head up display for a vehicle compact with a simple structure.

[28]     Further, there is an advantage of minimizing the total size of the head up display for a vehicle by optimally arranging a polarized light plate, a polarized light reflective mirror and a phase delay mirror.

[29]     Further, since the polarized light plate, the polarized light reflective mirror and the phase delay mirror may be mounted in a holder, and the holder may be mounted in a space of a main body, an assembly efficiency and maintainability of the polarized light reflective mirror and the phase delay mirror may be enhanced, compared with the case that they are independently mounted and separated in and from the main body.

### **Brief Description of Drawings**

[30]     FIG. 1 is a side view illustrating a main configuration of a head up display for a vehicle according to one embodiment of the present disclosure.

[31]     FIG. 2 is a side view illustrating a light path of a head up display for a vehicle according to one embodiment of the present disclosure.

[32]     FIG. 3 is an exploded perspective view illustrating a head up display for a vehicle according to one embodiment of the present disclosure.

[33]     FIG. 4 is a cross-sectional view illustrating a head up display for a vehicle according to one embodiment of the present disclosure.

[34]     FIG. 5 is a side view illustrating a head up display for a vehicle according to another embodiment of the present disclosure.

### **Mode for the Invention**

[35]     Hereinafter, a detailed embodiment of the present disclosure will be described with reference to the accompanying drawings.

[36]     FIG. 1 is a side view illustrating a main configuration of a head up display for a vehicle according to one embodiment of the present disclosure, FIG. 2 is a side view illustrating a light path of a head up display for a vehicle according to one embodiment

of the present disclosure, FIG. 3 is an exploded perspective view illustrating a head up display for a vehicle according to one embodiment of the present disclosure, and FIG. 4 is a cross-sectional view illustrating a head up display for a vehicle according to one embodiment of the present disclosure.

- [37] The head up display for a vehicle according to the present embodiment includes a display panel 1, a polarized light plate 2, a reflective mirror 3, a phase delay mirror 4 and a polarized light reflective mirror 5.
- [38] The head up display for a vehicle may emit an image light toward a windshield 6 of a vehicle (referred to as a windshield, hereinafter). The head up display for a vehicle may be received in or mounted on an instrument panel 9 in front of a driver's seat in a vehicle, and emit an image light in the upward direction.
- [39] The display panel 1 may emit an image light. The display panel 1 may emit an image light toward the polarized light plate 2. The display panel 1 is an image generating unit, which may be a display apparatus that may control an electrical signal to generate an image light, such as an LCD (Liquid Crystal Display) panel, an LED (Light Emitting Diode) panel and an OLED (Organic Light Emitting Diode) panel.
- [40] The display panel 1 may include a display device 11, and a light source 12 that emits light toward the display device 11.
- [41] The display panel 1 may further include a display cover 13 that guides the light emitted from the light source 12 to the display device 11.
- [42] The light source 12 may be a backlight unit (BLU) that emits light toward the display device 11. The light source 12 may be an LED and an OLED.
- [43] The light source 12 may generate heat when it is turned on, and the light source 12 may be in contact with a radiation device 14 that radiates heat generated in the light source 12.
- [44] The radiation device 14 may be a heat sink to radiate heat from the display panel 1. The radiation device 14 may be mounted on a main body 7 to be described. The radiation device 14 may be mounted in the main body 7 to be projected out of the main body 7. The radiation device 14 may have a display panel receiver formed to receive the display panel 1. The display panel 1 may be received in the display panel receiver, and emit an image light toward the polarized light plate 2 and between the radiation device 14 and the polarized light plate 2.
- [45] The polarized light plate 2 may linearly polarize the image light emitted from the display panel 1. The polarized light plate 2 may be configured of a linear polarizer that linearly polarizes the image light in one direction.
- [46] The display panel 1 may emit a non-polarized light that is not polarized, and the non-polarized light emitted from the display panel 1 may be polarized in the polarized light plate 2 in one direction. The polarized light plate 2 may emit a P wave linearly

polarized light or an S wave linearly polarized light.

- [47] One surface of the polarized light plate 2 may be disposed to face the display panel 1. The other surface 21 of the polarized light plate 2 may be disposed to face the inside of a holder 10 to be described. The polarized light plate 2 may be disposed to cover a light emitting surface of the display panel 1. The polarized light plate 2 may be disposed between the display panel 1 and the phase delay mirror 4.
- [48] The image light emitted from the display panel 1 may be incident onto the polarized light plate 2 through the one surface of the polarized light plate 2, and the light polarized by the polarized light plate 2 may be emitted toward the inside of the holder 10 to be described.
- [49] The reflective mirror 3 may reflect the image light passing through the polarized light reflective mirror 5 toward the windshield 6.
- [50] The reflective mirror 3 may be disposed to be positioned in front of the polarized light reflective mirror 5. A rear surface 33 of the reflective mirror 3 may face the front surface 51 of the polarized light reflective mirror 5 in the forward and backward direction. The reflective mirror 3 may be a concave mirror.
- [51] The reflective mirror 3 may be received in the main body 7. The reflective mirror 3 may be mounted in the main body 7 tilted at a desired angle. The image light passing through the polarized light reflective mirror 5 may be reflected in the upward direction. Here, the upward direction may include both an upward direction tilted backward in a desired angle and an upward direction tilted forward in a desired angle as well as a vertical direction.
- [52] The reflective mirror 3 may be supported by a reflective mirror supporter 31. The front surface of the reflective mirror 3 may face the reflective mirror supporter 31 in the forward and backward direction. The reflective mirror supporter 31 may be received in the main body 7 together with the reflective mirror 3. The reflective mirror supporter 31 may be rotatably disposed in the main body 7. The reflective mirror supporter 31 may be connected to a motor 32 that rotates a rotation axis of the reflective mirror supporter 31. The motor 32 may be mounted in the main body 7. The reflective mirror 3 may be rotated together with the reflective mirror supporter 31 when the motor 32 is driven. The rotation axis may be a horizontal rotation axis, and the reflective mirror 3 may be rotated on the horizontal rotation axis in the upward and downward direction.
- [53] The head up display for a vehicle may form an optical path in which a light emitted from the polarized light plate 2 is reflected on each of the phase delay mirror 4 and the polarized light reflective mirror 5 at least once, as illustrated in FIG. 2.
- [54] The phase delay mirror 4 may be disposed in the rear of the polarized light reflective mirror 5, apart from the polarized light reflective mirror 5 in the forward and backward

direction.

- [55] The polarized light reflective mirror 5 may be disposed to face the reflective mirror 3. The polarized light reflective mirror 5 may be disposed in the rear of the reflective mirror 3, apart from the reflective mirror 3 in the forward and backward direction. The polarized light reflective mirror 5 may be disposed between the reflective mirror 3 and the phase delay mirror 4 in the forward and backward direction, apart from each of the reflective mirror 3 and the phase delay mirror 4.
- [56] The polarized light reflective mirror 5 is a polarized light separator, which may reflect any one of the P wave linearly polarized light (P) and the S wave linearly polarized light (S), and transmit the other one therethrough.
- [57] The phase delay mirror 4 may convert a phase of the linearly polarized light incident on its front surface 46 by  $90^\circ$  to be reflected in the forward direction.
- [58] The phase delay mirror 4 may include a rear mirror 41, and a phase retarder 44 disposed in the front surface 42 of the rear mirror 41. The phase delay mirror 4 may be a retarder-mirror.
- [59] The rear mirror 41 may include a transparent plate 41A, and a reflective layer 41B formed in the rear surface of the transparent plate 41A.
- [60] It is desirable for the phase delay mirror 4 that the rear mirror 41 and the phase retarder 44 approach each other as closely as possible, and that the rear mirror 41 and the phase retarder 44 are integrated in one body. The phase retarder 44 may be attached to the front surface 42 of the rear mirror 41 using an adhesive 48. The rear surface 47 of the phase retarder 44 may be attached to the front surface 42 of the transparent plate 41A using an adhesive, particularly, a transparent adhesive.
- [61] The phase retarder 44 is an optical device to convert a polarized state of light passing through it, which may be a quarter wave plate. The phase retarder 44 may be configured of a circular polarizer, which may delay a phase of a linearly polarized light incident on its front surface by a quarter wave, and a phase of a linearly polarized light reflected by the rear mirror 41 by a quarter wave.
- [62] When a linearly polarized light is incident on the front surface 46 of the phase delay mirror 4, the linearly polarized light passes through the phase retarder 44 so that its phase is converted by a quarter wave, and such a phase converted image light may be reflected by the rear mirror 41 in the forward direction. The image light reflected by the rear mirror 41 in the forward direction may pass through the phase retarder 44 again so that its phase may be converted by a quarter wave. As such, the light that has been converted by a quarter wave two times in the phase delay mirror 4 may be emitted in the forward direction of the phase retarder 44. Here, the linearly polarized light emitted from the phase delay mirror 4 may have a waveform whose phase is different by  $90^\circ$  from the linearly polarized light incident on the phase delay mirror 4.

- [63] When a P wave linearly polarized light (P) is incident onto the phase delay mirror 4 in front of the phase delay mirror 4, the phase delay mirror 4 may emit an S wave linearly polarized light (S) in the forward direction, the S wave linearly polarized light (S) being produced by converting the phase of the P wave linearly polarized light (P) by 90°.
- [64] On the contrary, when the S wave linearly polarized light (S) is incident onto the phase delay mirror 4 in front of the phase delay mirror 4, the phase delay mirror 4 may emit the P wave linearly polarized light (P) in the forward direction, the P wave linearly polarized light (P) being produced by converting the phase of the S wave linearly polarized light (S) by 90°.
- [65] Meanwhile, the rear mirror 41 may be a flat mirror whose front surface 42 has a flat surface. Since the front surface 42 of the rear mirror 41 has a flat surface, the rear surface 47 of the phase retarder 44 may be tightly attached to the front surface 42 of the rear mirror 41 and remain on the front surface 42 of the rear mirror 41 with a high reliability, compared with a case that the front surface 42 of the rear mirror 41 has a curved surface.
- [66] The front surface 46 of the phase retarder 44 may face the rear surface 52 of the polarized light reflective mirror 5 in the forward and backward direction. Here, the front surface 46 of the phase retarder 44 may be the front surface of the phase delay mirror 4.
- [67] In the head up display for a vehicle, a distance from the windshield 6 of the vehicle to a virtual image K may be determined by a total optical path length from the display panel 1 to the windshield 6.
- [68] In the head up display for a vehicle, the longer such a total optical path, the longer the distance from the windshield 6 to the virtual image K. And, the shorter the total optical path, the shorter the distance from the windshield 6 to the virtual image K.
- [69] When a distance L from the windshield 6 to the virtual image K is fixed in the head up display for a vehicle, the shorter the distance between the phase delay mirror 4 and the polarized light reflective mirror 5, the shorter the width of a total head up display for a vehicle in the forward and backward direction. And, it may be possible to minimize the total size of the head up display for a vehicle.
- [70] It is desirable that the head up display for a vehicle obtains a total optical path having a suitable distance from the windshield 6 to the virtual image K while disposing the phase delay mirror 4 and the polarized light reflective mirror 5 as close to each other as possible.
- [71] Generally, a suitable range of the distance from the windshield 6 to the virtual image K may be 1m~3m. And, it is desirable that the polarized light plate 2, the phase delay mirror 4 and the polarized light reflective mirror 5 are disposed as close to one another

as possible, so as to have such a suitable range of optical path.

[72] To do this, as illustrated in FIG. 2, it may be configured that the polarized light plate 2 emits a linearly polarized light toward the phase delay mirror 4, and the polarized light reflective mirror 5 passes a linearly polarized light therethrough, which has the same waveform as that of the linearly polarized light emitted from the polarized light plate 2. Specifically, when the polarized light plate 2 polarizes an image light emitted from the display panel 1 into a P wave linearly polarized light as shown in FIG. 2, the polarized light reflective mirror 5 may reflect an S wave linearly polarized light and pass the P wave linearly polarized light therethrough. On the other hand, if alternately the polarized light plate 2 were configured to polarize the image light emitted from the display panel 1 into an S wave linearly polarized light, the polarized light reflective mirror 5 would be configured to reflect the P wave linearly polarized light and pass the S wave linearly polarized light therethrough.

[73] The phase delay mirror 4 may convert a phase of light incident from the polarized light plate 2 to reflect it to the polarized light reflective mirror 5. The polarized light reflective mirror 5 may reflect the light reflected on the phase delay mirror 4 to the phase delay mirror 4 again. The phase delay mirror 4 may convert a phase of the light reflected on the polarized light reflective mirror 5 and reflect it to the polarized light reflective mirror 5.

[74] As illustrated in FIG. 2, the image light emitted from the polarized light plate 2 may be reflected by the phase delay mirror 4 two times in total, and the linearly polarized light reflected on the phase delay mirror 4 may be reflected by the polarized light reflective mirror 5 once, such that the image light may be reflected by the phase delay mirror 4 and the polarized light reflective mirror 5 three times in total.

[75] The linearly polarized light entered from the polarized light plate 2 into a space between the phase delay mirror 4 and the polarized light reflective mirror 5 may form an optical path in a zigzag shape between the phase delay mirror 4 and the polarized light reflective mirror 5 and then pass through the polarized light reflective mirror 5. The linearly polarized light that has passed through the polarized light reflective mirror 5 may be reflected on the reflective mirror 3 and then onto the windshield 6.

[76] That is, a total optical path from the display panel 1 to the windshield 6 may include an optical path L1 of an image light incident from the display panel 1 onto the polarized light plate 2, an optical path L2 of a linearly polarized light P that is incident from the polarized light plate 2 onto the phase delay mirror 4 for the first time, an optical path L3 of the linearly polarized light (S) that is primarily reflected on the phase delay mirror 4 and incident onto the polarized light reflective mirror 5, an optical path L4 of a linearly polarized light (S) that is reflected on the polarized light reflective mirror 5 and incident onto the phase delay mirror 4, an optical path L5 of the linearly

polarized light (P) that is reflected from the phase delay mirror 4 onto the polarized light reflective mirror 5, an optical path L6 of the linearly polarized light (P) that passes through the polarized light reflective mirror 5 and is incident onto the reflective mirror 3, and an optical path L7 of the linearly polarized light (P) that is reflected from the reflective mirror 3 onto the windshield 6, wherein a distance from the windshield 6 to a virtual image J may be determined by summing the optical paths L1-L7.

- [77] In the present embodiment, the phase delay mirror 4 may be greater in length than each of the polarized light plate 2 and the polarized light reflective mirror 5 in order to reflect the linearly polarized light three times as described above. Further, the phase delay mirror 4 may be disposed to face a space G between the polarized light plate 2 and the polarized light reflective mirror 5, the polarized light plate 2 and the polarized light reflective mirror 5. When disposing the polarized light plate 2 closely to the phase delay mirror 4 and the polarized light reflective mirror 5, it may be easy to obtain an optical path in which the linearly polarized light is reflected three times, and to design the head up display for a vehicle as compact as possible.
- [78] Further, one surface of the phase delay mirror 4 may include an overlapped area E where an area facing one surface of the polarized light reflective mirror 5 and an area facing one surface of the polarized light plate 2 are overlapped. The front surface 46 of the phase delay mirror 4 may face the rear surface 52 of the polarized light reflective mirror 5 and the rear surface 21 of the polarized light plate 2, and the front surface 46 of the phase delay mirror 4 may include an overlapped area E where an area facing the rear surface of the polarized light reflective mirror 5 and an area facing the rear surface of the polarized light plate 2 are overlapped.
- [79] The polarized light reflective mirror 5 may be disposed out of the path in which the linearly polarized light emitted from the polarized light plate 2 is incident onto the phase delay mirror 4.
- [80] At least one of the polarized light plate 2, the phase delay mirror 4 and the polarized light reflective mirror 5 may be tiltedly disposed.
- [81] Inclined angles of the phase delay mirror 4 and the polarized light reflective mirror 5 may be determined according to a position and a disposed angle of the polarized light plate 2.
- [82] The polarized light plate 2 may be disposed in the manner that one surface 21 of it faces a space between and the phase delay mirror 4 and the polarized light reflective mirror 5, and the phase delay mirror 4.
- [83] At least a portion of the polarized light plate 2 may be disposed under and between the polarized light reflective mirror 5 and the phase delay mirror 4. In this case, the display panel 1 may emit an image light upward. Here, the emitting upward may mean that the display panel may emit the image light tilted at a desired angle in the backward

and upward direction.

[84] Further, one surface 21 of the polarized light plate 2 may be disposed to face the front surface 46 of the phase delay mirror 4.

[85] Further, the phase delay mirror 4 and the polarized light reflective mirror 5 may be disposed to be closer proceeding upwardly.

[86] The phase delay mirror 4 and the polarized light reflective mirror 5 both may be tiltedly disposed. In this case, the front surface 46 of the phase delay mirror 4 may be disposed tiltedly in the forward and downward direction A, and the rear surface 52 of the polarized light reflective mirror 5 may be disposed tiltedly in the backward and downward direction B.

[87] Further, the polarized light reflective mirror 5 and the reflective mirror 3 may be tilted in opposite directions. The rear surface 33 of the reflective mirror 3 may be tiltedly disposed toward in the backward and upward direction C, and the front surface 51 of the polarized light reflective mirror 5 may be tiltedly disposed in the forward and upward direction D. The polarized light reflective mirror 5 and the reflective mirror 3 may be disposed to be closer to each other as going downward.

[88] The head up display for a vehicle may include a main body 7 having a space 71 formed therein. The main body 7 may have a shape whose upper surface is opened, and a rear opening 71A in the rear surface which is covered by a phase delay mirror cover 120 to be described below.

[89] The head up display for a vehicle may include a top cover 8 that is disposed on the upper portion of the main body 71 and has an upper opening 81 formed therein. The head up display for a vehicle may further include a window 82 disposed in the upper opening 81.

[90] The head up display for a vehicle may further include a holder 10 to which at least one of the polarized light plate 2, the polarized light reflective mirror 5 and the phase delay mirror 4 is fixed.

[91] The holder 10 may have the polarized light reflective mirror 5 and the phase delay mirror 4, both of them being fixed together thereto. The polarized light reflective mirror 5 and the phase delay mirror 4 of the holder 10 may configure a mirror assembly M.

[92] The polarized light plate 2 may be fixed to the holder 10, together with the polarized light reflective mirror 5 and the phase delay mirror 4. In this case, the holder 10, the polarized light plate 2, the polarized light reflective mirror 5 and the phase delay mirror 4 may configure the mirror assembly M.

[93] The mirror assembly M may be mounted in the main body 7. At least a portion of the mirror assembly M may insert into the space 71 to be received in the space 71. The mirror assembly M may be coupled to the main body 7 such that the other portion of

the mirror assembly M which does not insert into the space 71 is exposed to the outside of the main body 7. The mirror assembly M may be disposed apart from the reflective mirror 3.

[94] The reflective mirror 3 and the holder 10 may be disposed apart from each other.

[95] The holder 10 may be configured of a single member, and it may also be configured of a combined body of a plurality of members. The polarized light plate 2, the polarized light reflective mirror 5 and the phase delay mirror 4 may insert into the main body 7 in the state that they are supported to the holder 10, and they may be fixed to the main body 7 by the holder 10.

[96] The holder 10 may include an inner holder 100.

[97] The inner holder 100 may have a front upper opening 101 formed in the front upper portion thereof. The polarized light reflective mirror 5 may be disposed in the front upper opening 101.

[98] The inner holder 100 may have a rear opening 102 formed in the rear surface thereof. The phase delay mirror 4 may be disposed in the rear opening 102.

[99] The inner holder 100 may have a front lower opening 103 formed in the front lower portion thereof. The polarized light plate 2 may be disposed in the front lower opening 103.

[100] The holder 10 may further include a polarized light reflective mirror cover 110 that is coupled to the inner holder 100 and covers front edges of the polarized light reflective mirror 5. The holder 10 may further include a phase delay mirror cover 120 that is coupled to the inner holder 100 and covers the rear surface 45 of the phase delay mirror 4.

[101] The polarized light reflective mirror cover 110 may cover the front edges of the polarized light reflective mirror 5 properly seated in the inner holder 100, and the polarized light reflective mirror 5 may be fixed between the polarized light reflective mirror cover 110 and the inner holder 100.

[102] The phase delay mirror cover 120 may cover the rear surface of the phase delay mirror 4 properly seated in the inner holder 100, and the phase delay mirror 4 may be fixed between the phase delay mirror cover 120 and the inner holder 100.

[103] The head up display for a vehicle may further include a control substrate 140 configured to control the display panel 1, and a shield 150 configured to protect the control substrate 140.

[104] The control substrate 140 may be disposed in an inner lower portion of the space 71, or under the bottom plate of the main body 7. The shield 150 may be disposed to surround the control substrate 140.

[105] Hereinafter, the operation of the present disclosure having the above-described configuration will be described as follows.

- [106] First, the display panel 1 may be turned on to emit an image light. An image light emitted from the display panel 1 may pass through the polarized light plate 2 to be polarized into a P wave linearly polarized light (P) or an S wave linearly polarized light (S).
- [107] Hereinafter, first, an example where the polarized light plate 2 and the polarized light reflective mirror 5 each pass the P wave linearly polarized light therethrough will be described as follows.
- [108] The P wave linearly polarized light (P) emitted from the polarized light plate 2 may be incident onto the front surface 46 of the phase delay mirror 4, and the phase delay mirror 4 may reflect the S wave linearly polarized light (S) whose wavelength is produced by converting the P wave linearly polarized light (P) by 90°. The S wave linearly polarized light (S) emitted from the phase delay mirror 4 may be reflected onto the polarized light reflective mirror 5 disposed in front of the polarized delay mirror 4.
- [109] The S wave linearly polarized light (S) emitted from the phase delay mirror 4 onto the polarized light reflective mirror 5 may not pass through the polarized light reflective mirror 5 but may be reflected by the polarized light reflective mirror 5 in the backward direction.
- [110] The S wave linearly polarized light (S) reflected by the polarized light reflective mirror 5 in the backward direction may be incident onto the front surface 46 of the phase delay mirror 4, and the P wave linearly polarized light (P) whose wavelength is produced by converting that of the S wave linearly polarized light (S) by 90° may be reflected onto the phase delay mirror 4. The P wave linearly polarized light (P) emitted from the phase delay mirror 4 may be reflected onto the polarized light reflective mirror 5 disposed in front of the phase delay mirror 4.
- [111] As such, the P wave linearly polarized light (P) emitted from the phase delay mirror 4 to the polarized light reflective mirror 5 may pass through the polarized light reflective mirror 5 to be incident onto the rear surface 33 of the reflective mirror 3, and the reflective mirror 3 may reflect such image light onto the windshield 6.
- [112] The virtual image K positioned in front of the windshield 6 may be recognized by eyes J of a driver who operates a vehicle.
- [113] Meanwhile, an alternative example where an S wave linearly polarized light passes through each of the polarized light plate 2 and the polarized light reflective mirror 5 is described as follows.
- [114] The S wave linearly polarized light emitted from the polarized light plate 2 may be incident onto the front surface 46 of the phase delay mirror 4, and phase delay mirror 4 may reflect the P wave linearly polarized light whose wavelength is produced by converting the S wave linearly polarized light S by 90°. The P wave linearly polarized light emitted from the phase delay mirror 4 may be reflected onto the polarized light

reflective mirror 5 disposed in front of the polarized delay mirror 4.

- [115] The P wave linearly polarized light emitted from the phase delay mirror 4 onto the polarized light reflective mirror 5 may not pass through the polarized light reflective mirror 5 but may be reflected by the polarized light reflective mirror 5 in the backward direction.
- [116] The P wave linearly polarized light P reflected by the polarized light reflective mirror 5 in the backward direction may be incident onto the front surface 46 of the phase delay mirror 4, and the phase delay mirror 4 may reflect the S wave linearly polarized light whose wavelength is produced by converting that of the P wave linearly polarized light by 90°. The S wave linearly polarized light emitted from the phase delay mirror 4 may be reflected to the polarized light reflective mirror 5 disposed in front of the phase delay mirror 4.
- [117] As such, the S wave linearly polarized light emitted from the phase delay mirror 4 to the polarized light reflective mirror 5 may pass through the polarized light reflective mirror 5 to be incident onto the rear surface 33 of the reflective mirror 3, and the reflective mirror 3 may reflect such image light onto the windshield 6.
- [118] The virtual image K positioned in front of the windshield 6 may be recognized by eyes J of a driver who operates a vehicle.
- [119] FIG. 5 is a side view illustrating a head up display for a vehicle according to another embodiment of the present disclosure.
- [120] As illustrated in FIG. 5, in the head up display for a vehicle according to the present embodiment, at least a portion of a polarized light plate 2 may be disposed above and between a polarized light reflective mirror 5 and a phase delay mirror 4.
- [121] In this case, the display panel 1 may emit an image light downwardly. Here, a downward emission may mean that the display panel 1 tiltedly emits an image light toward a backward lower portion in a desired angle.
- [122] One surface 21 of the polarized light plate 2 may be disposed to face a front surface 46 of the phase delay mirror 4.
- [123] Further, the phase delay mirror 4 and the polarized light reflective mirror 5 may be disposed to be closer each other proceeding downwardly.
- [124] Both of the phase delay mirror 4 and the polarized light reflective mirror 5 may be tiltedly disposed. In this case, the upper surface 46 of the phase delay mirror 4 may be tiltedly disposed in the forward and upward direction, and the polarized light reflective mirror 5 may be tiltedly disposed in the backward and upward direction.
- [125] Further, the polarized light reflective mirror 5 may be tilted in the same direction as the reflective mirror 3. The rear surface 33 of the reflective mirror 3 may be tiltedly disposed in the backward and upward direction C, and the polarized light reflective mirror 5 may be tiltedly disposed in the forward and downward direction.

- [126] Since the present embodiment is different from the one embodiment of the present disclosure in positions and disposition angles of the display panel 1 and the polarized light plate 2, and disposition angles of the phase delay mirror 4 and the polarized light reflective mirror 5 and is similar to the one embodiment of the present disclosure in other configuration and operation, same reference symbols are used and detailed description thereof is omitted.
- [127] The above description is only an illustrative description for a technical idea of the present disclosure, and those having ordinary skill in the art to which the present disclosure pertains may make modifications in various ways in a range within which the intrinsic characteristics of the present disclosure do not depart.
- [128] Accordingly, the embodiments disclosed in the present disclosure have been described for the description of the present disclosure, rather than for the limitation thereof, and the spirit and scope of the present disclosure are not limited by the embodiments.
- [129] The scope of the present disclosure must be interpreted based on the following claims, and all of the technical ideas within a range equivalent to the present disclosure should be interpreted as being included in the right scope of the present disclosure.

## Claims

- [Claim 1] A head up display for a vehicle, comprising:  
a display panel configured to emit an image light;  
a polarized light plate configured to convert the image light emitted from the display panel into linearly polarized light;  
a phase delay mirror configured to receive light from the polarized light plate;  
a polarized light reflective mirror configured to receive light reflected from the phase delay mirror; and  
a reflective mirror,  
wherein the phase delay mirror is further configured to convert a phase of the light received from the polarized light plate into a first converted phase, and to reflect the first converted phase to the polarized light reflective mirror,  
wherein the polarized light reflective mirror is further configured to reflect the first converted phase back to the phase delay mirror,  
wherein the phase delay mirror is further configured to convert the first converted phase of the light reflected from the polarized light reflective mirror into a second converted phase, and to reflect the second converted phase back to the polarized light reflective mirror,  
wherein the polarized light reflective mirror is further configured to pass the second converted phase to the reflective mirror, and  
wherein the reflective mirror is configured to reflect the second converted phase onto a windshield of a vehicle.
- [Claim 2] The head up display of claim 1, wherein the phase delay mirror is larger in size than each of the polarized light plate and the polarized light reflective mirror, and  
wherein the phase delay mirror faces the polarized light plate and the polarized light reflective mirror.
- [Claim 3] The head up display of claim 1, wherein a linearly polarized light having the same waveform as the linearly polarized light emitted from the polarized light plate is transmitted to the polarized light reflective mirror.
- [Claim 4] The head up display of claim 1, wherein a surface of the phase delay mirror includes an overlapped area where an area facing the polarized light reflective mirror and an area facing the polarized light plate are overlapped.

- [Claim 5] The head up display of claim 1, wherein the polarized light plate and the polarized light reflective mirror are non-parallel with one another.
- [Claim 6] The head up display of claim 1, wherein a portion of the polarized light plate is disposed between the polarized light reflective mirror and the phase delay mirror.
- [Claim 7] The head up display of claim 1, wherein uppermost portions of the phase delay mirror and the polarized light reflective mirror are closer to one another than lowermost portions of the phase delay mirror and the polarized light reflective mirror.
- [Claim 8] The head up display of claim 1, wherein lowermost portions of the phase delay mirror and the polarized light reflective mirror are closer to one another than uppermost portions of the phase delay mirror and the polarized light reflective mirror.
- [Claim 9] The head up display of claim 1, further comprising a holder in which the polarized light plate, the polarized light reflective mirror and the phase delay mirror are arranged.
- [Claim 10] The head up display of claim 9, wherein the holder includes an inner holder having a front upper opening located in an upper front portion of the inner holder, a front lower opening located in a lower front portion of the inner holder, and a rear opening located in a rear portion of the inner holder,  
wherein the polarized light reflective mirror is disposed in the front upper opening,  
wherein the polarized light plate is disposed in the front lower opening,  
and  
wherein the phase delay mirror is disposed in the rear opening.
- [Claim 11] The head up display of claim 10, wherein the holder further includes:  
a phase delay mirror cover configured to be coupled to the inner holder and to cover a rear surface of the phase delay mirror; and  
a polarized light reflective mirror cover configured to be coupled to the inner holder and to cover a front perimeter of the polarized light reflective mirror.
- [Claim 12] A head up display for a vehicle, comprising:  
a main body having a space therein;  
a display panel configured to emit an image light;  
a reflective mirror disposed in the space; and  
a mirror assembly disposed apart from the reflective mirror,  
wherein the mirror assembly includes:

a holder;  
a polarized light plate located in the holder and configured to convert the image light emitted from the display panel into linearly polarized light;  
a phase delay mirror located in the holder and configured to receive light from the polarized light plate; and  
a polarized light reflective mirror located in the holder and configured to receive light reflected from the phase delay mirror,  
wherein the phase delay mirror is further configured to convert a phase of the light received from the polarized light plate into a first converted phase, and to reflect the first converted phase to the polarized light reflective mirror,  
wherein the polarized light reflective mirror is further configured to reflect the first converted phase back to the phase delay mirror,  
wherein the phase delay mirror is further configured to convert the first converted phase of the light reflected from the polarized light reflective mirror into a second converted phase, and to reflect the second converted phase back to the polarized light reflective mirror,  
wherein the polarized light reflective mirror is further configured to pass the second converted phase to the reflective mirror, and  
wherein the reflective mirror is configured to reflect the second converted phase onto a windshield of a vehicle.

- [Claim 13] The head up display of claim 12, wherein the phase delay mirror is larger in size than each of the polarized light plate and the polarized light reflective mirror, and  
wherein the phase delay mirror faces the polarized light plate and the polarized light reflective mirror.
- [Claim 14] The head up display of claim 12, wherein a linearly polarized light having the same waveform as the linearly polarized light emitted from the polarized light plate is transmitted to the polarized light reflective mirror.
- [Claim 15] The head up display of claim 12, wherein a surface of the phase delay mirror includes an overlapped area where an area facing the polarized light reflective mirror and an area facing the polarized light plate are overlapped.
- [Claim 16] The head up display of claim 12, wherein the polarized light plate and the polarized light reflective mirror are non-parallel with one another.
- [Claim 17] The head up display of claim 12, wherein a portion of the polarized

light plate is disposed between the polarized light reflective mirror and the phase delay mirror, and

wherein uppermost portions of the phase delay mirror and the polarized light reflective mirror are closer to one another than lowermost portions of the phase delay mirror and the polarized light reflective mirror.

[Claim 18]

The head up display of claim 12, wherein the holder includes an inner holder having a front upper opening located in an upper front portion of the inner holder, a front lower opening located in a lower front portion of the inner holder, and a rear opening located in a rear portion of the inner holder,

wherein the polarized light reflective mirror is disposed in the front upper opening,

wherein the polarized light plate is disposed in the front lower opening, and

wherein the phase delay mirror is disposed in the rear opening.

[Claim 19]

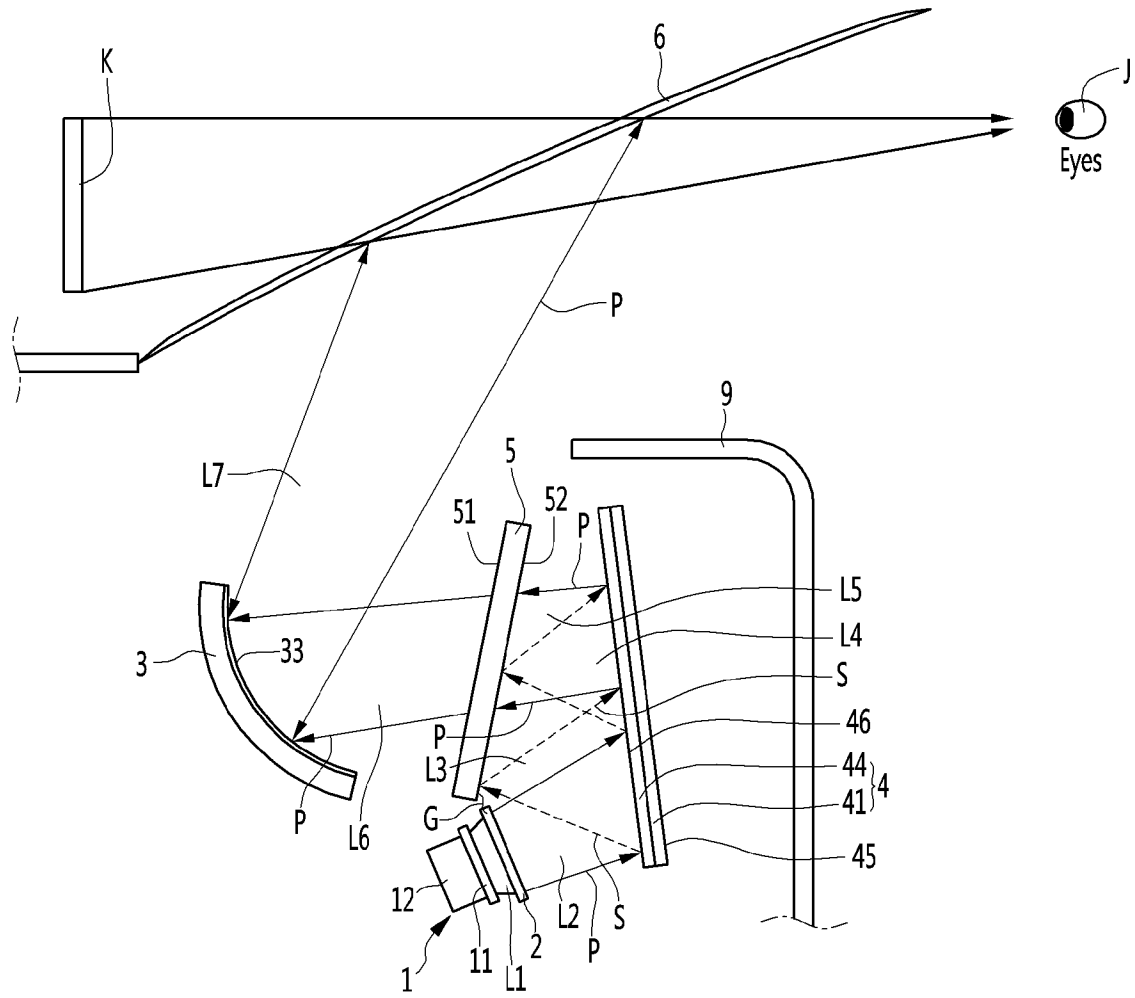
The head up display of claim 18, wherein the holder further includes a phase delay mirror cover configured to be coupled to the inner holder and to cover a rear surface of the phase delay mirror.

[Claim 20]

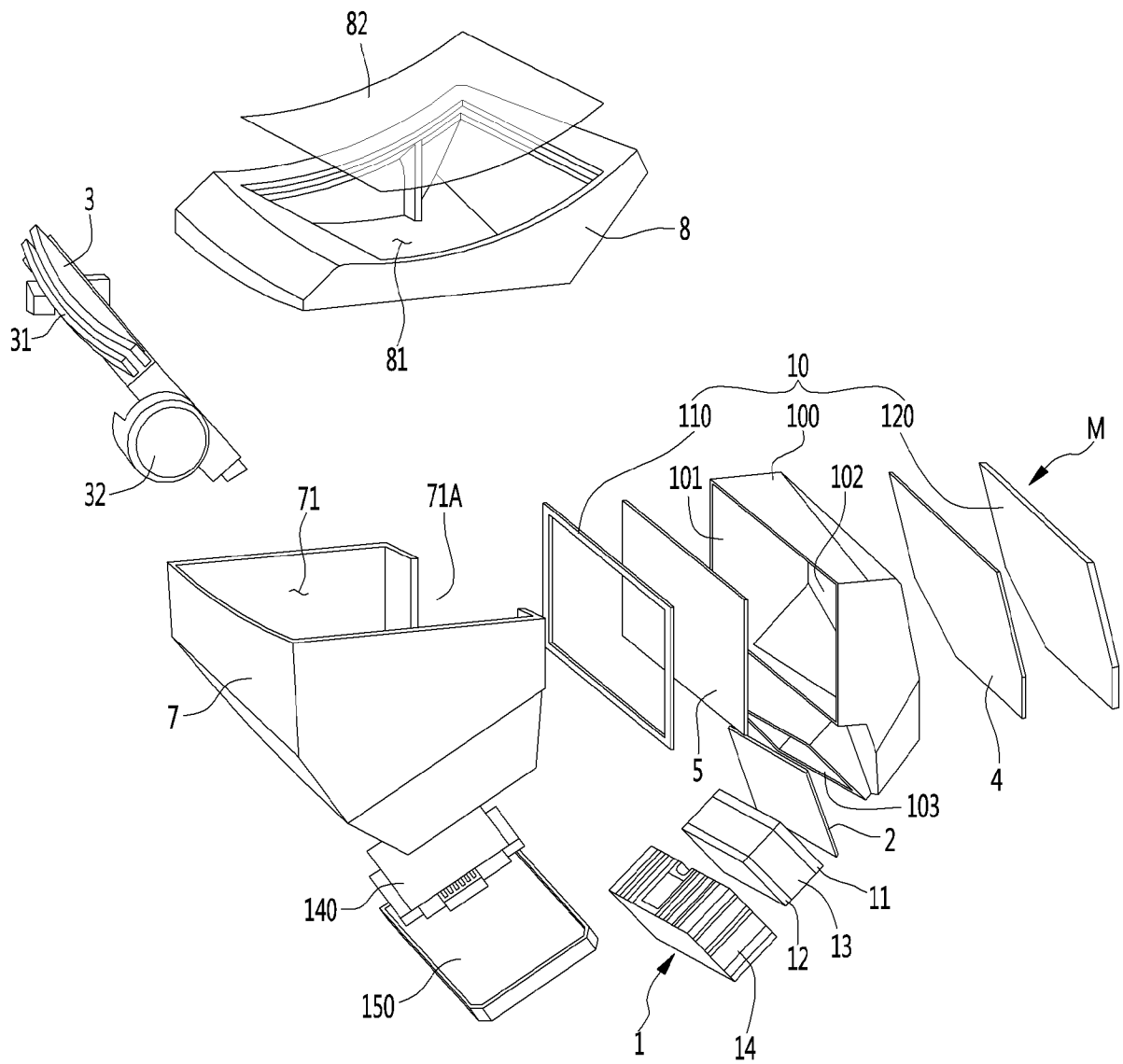
The head up display of claim 18, wherein the holder further includes a polarized light reflective mirror cover configured to be coupled to the inner holder and to cover a front perimeter of the polarized light reflective mirror.



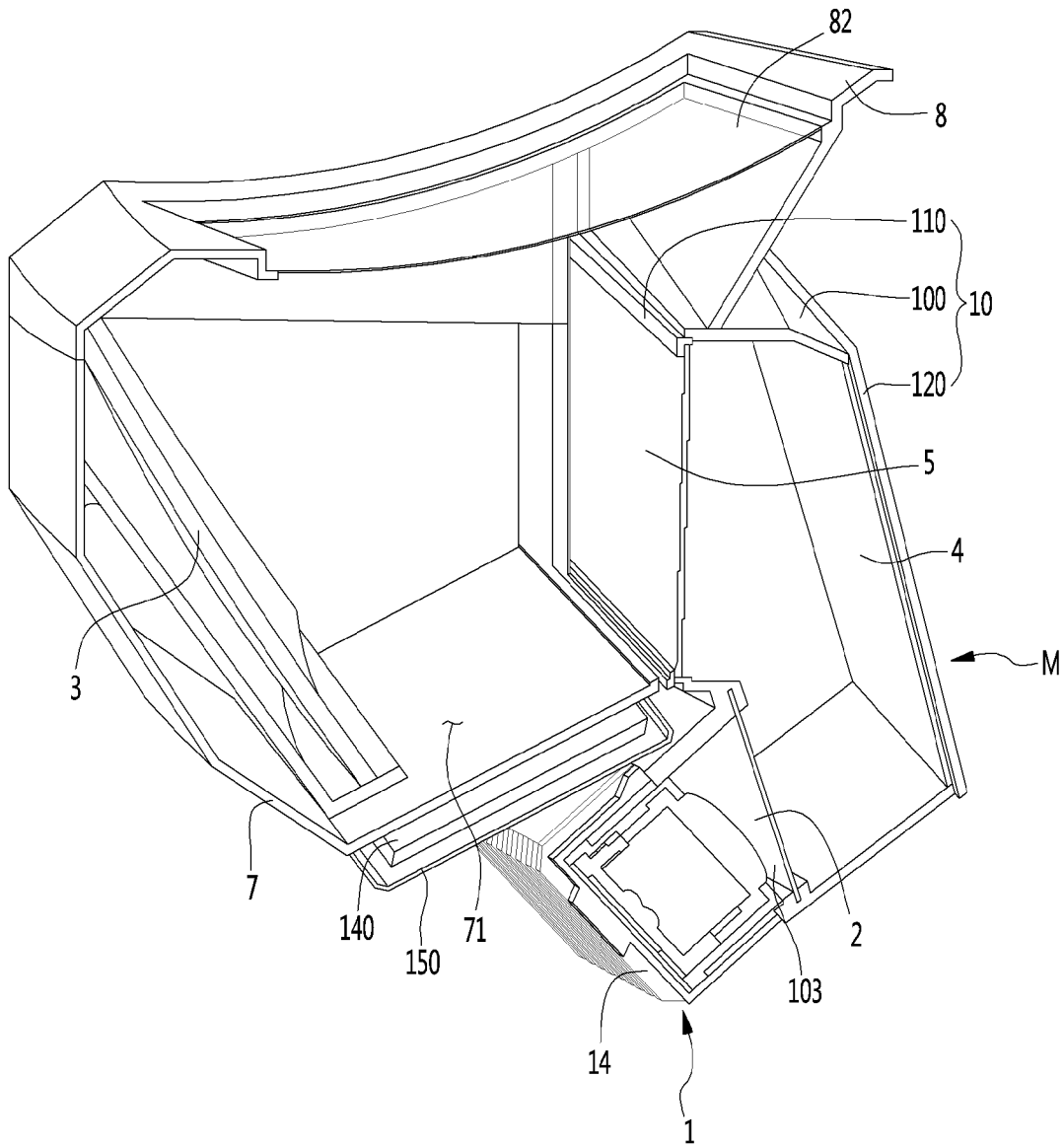
[Fig. 2]



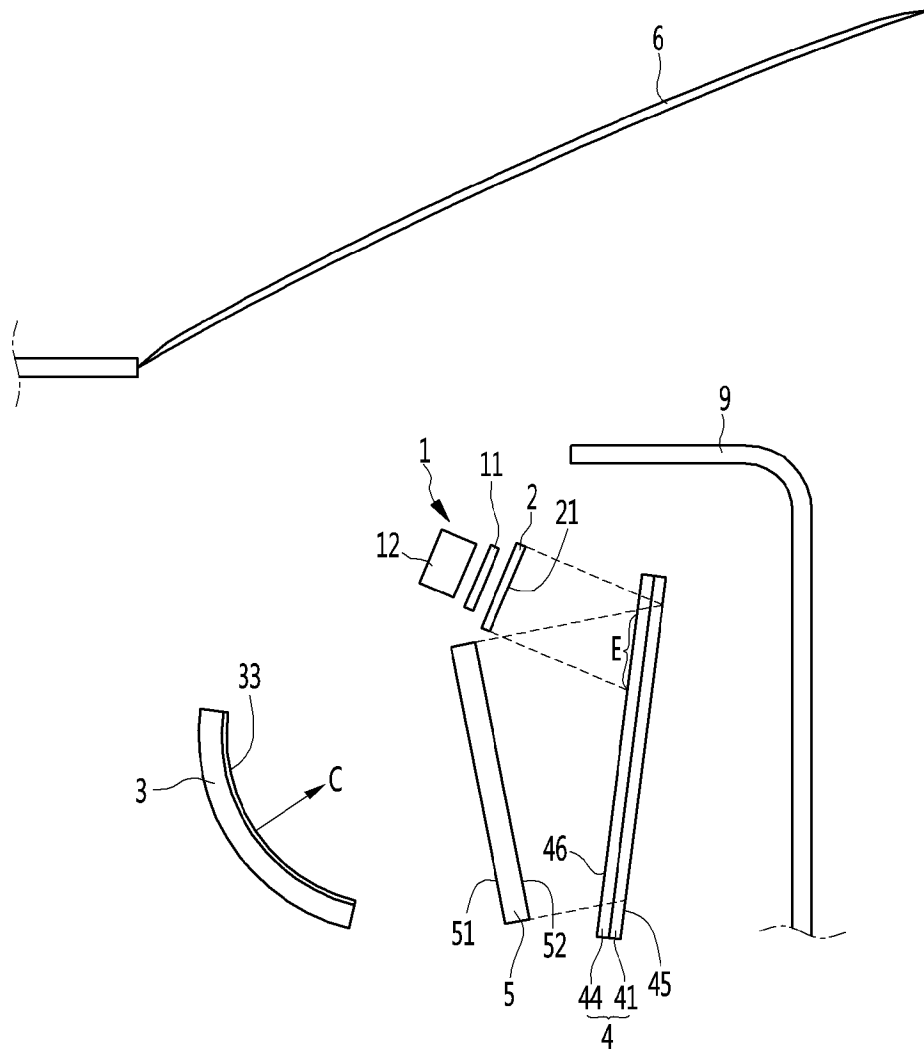
[Fig. 3]



[Fig. 4]



[Fig. 5]



**A. CLASSIFICATION OF SUBJECT MATTER****G02B 27/01(2006.01)i, G02B 27/28(2006.01)i**

According to International Patent Classification (IPC) or to both national classification and IPC

**B. FIELDS SEARCHED**

Minimum documentation searched (classification system followed by classification symbols)

G02B 27/01; B60R 1/00; G02F 1/13363; H04N 7/18; H04N 5/64; G03B 21/14; G02B 17/08; G09G 5/00; G02B 27/28

Documentation searched other than minimum documentation to the extent that such documents are included in the fields searched

Korean utility models and applications for utility models

Japanese utility models and applications for utility models

Electronic data base consulted during the international search (name of data base and, where practicable, search terms used)

eKOMPASS(KIPO internal) &amp; Keywords : head up, display, linearly, polarized plate, light, phase, convert, mirror

**C. DOCUMENTS CONSIDERED TO BE RELEVANT**

Category*	Citation of document, with indication, where appropriate, of the relevant passages	Relevant to claim No.
Y	US 2014-0184996 A1 (YAZAKI CORPORATION) 03 July 2014 See paragraphs [0036]-[0047], [0060]; claim 1; and figures 1-3.	1-9,12-17
A		10-11, 18-20
Y	US 6318862 B1 (SARAYEDDINE) 20 November 2001 See column 3, lines 3-58; and figure 2.	1-9,12-17
A	US 2012-0224062 A1 (LACOSTE et al.) 06 September 2012 See figures 2, 3b.	1-20
A	US 2013-0100524 A1 (MAGARILL et al.) 25 April 2013 See figures 1-3.	1-20
A	US 2015-0123879 A1 (JVC KENWOOD CORPORATION) 07 May 2015 See figures 1, 3-6.	1-20

 Further documents are listed in the continuation of Box C. See patent family annex.

\* Special categories of cited documents:

"A" document defining the general state of the art which is not considered to be of particular relevance

"E" earlier application or patent but published on or after the international filing date

"L" document which may throw doubts on priority claim(s) or which is cited to establish the publication date of another citation or other special reason (as specified)

"O" document referring to an oral disclosure, use, exhibition or other means

"P" document published prior to the international filing date but later than the priority date claimed

"T" later document published after the international filing date or priority date and not in conflict with the application but cited to understand the principle or theory underlying the invention

"X" document of particular relevance; the claimed invention cannot be considered novel or cannot be considered to involve an inventive step when the document is taken alone

"Y" document of particular relevance; the claimed invention cannot be considered to involve an inventive step when the document is combined with one or more other such documents, such combination being obvious to a person skilled in the art

"&amp;" document member of the same patent family

Date of the actual completion of the international search

14 April 2017 (14.04.2017)

Date of mailing of the international search report

**17 April 2017 (17.04.2017)**

Name and mailing address of the ISA/KR

International Application Division

Korean Intellectual Property Office

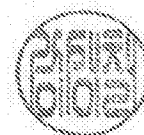
189 Cheongsa-ro, Seo-gu, Daejeon, 35208, Republic of Korea

Facsimile No. +82-42-481-8578

Authorized officer

KANG, Sung Chul

Telephone No. +82-42-481-8405



**INTERNATIONAL SEARCH REPORT**

Information on patent family members

International application No.

**PCT/KR2017/001100**

Patent document cited in search report	Publication date	Patent family member(s)	Publication date
US 2014-0184996 A1	03/07/2014	EP 2755074 A1 EP 2755074 A4 JP 2013-057897 A JP 6027727 B2 US 9454039 B2 WO 2013-035855 A1	16/07/2014 22/04/2015 28/03/2013 16/11/2016 27/09/2016 14/03/2013
US 6318862 B1	20/11/2001	EP 0884898 A1 EP 0884898 B1 FR 2764462 A1 JP 11095173 A	16/12/1998 05/04/2006 11/12/1998 09/04/1999
US 2012-0224062 A1	06/09/2012	EP 2462480 A2 GB 2472444 A GB 2472773 A WO 2011-015843 A2 WO 2011-015843 A3	13/06/2012 09/02/2011 23/02/2011 10/02/2011 12/04/2012
US 2013-0100524 A1	25/04/2013	None	
US 2015-0123879 A1	07/05/2015	JP 2014-026245 A JP 6056246 B2 WO 2014-020858 A1	06/02/2014 11/01/2017 06/02/2014