



US00D736360S

(12) **United States Design Patent**
Bomatter et al.

(10) **Patent No.:** **US D736,360 S**

(45) **Date of Patent:** **** Aug. 11, 2015**

(54) **WORK CENTER WITH SINK**

(71) Applicant: **Franke Technology and Trademark Ltd**, Hergiswil (CH)

(72) Inventors: **Christian Bomatter**, Willer (FR); **Rolf Neeser**, Reidermoos (CH)

(73) Assignee: **Franke Technology and Trademark, Ltd**, Hergiswil (CH)

(**) Term: **14 Years**

(21) Appl. No.: **29/507,450**

(22) Filed: **Oct. 28, 2014**

(30) **Foreign Application Priority Data**

Apr. 28, 2014 (EP) 002453845 01-08

(51) **LOC (10) Cl.** **23-02**

(52) **U.S. Cl.**
USPC **D23/290**

(58) **Field of Classification Search**
USPC D23/271-272, 284, 287, 293.1, 303,
D23/308, 290; 4/619, 630, 631, 638, 661

See application file for complete search history.

(56) **References Cited**

U.S. PATENT DOCUMENTS

D179,031 S * 10/1956 Parker D23/287
D317,198 S * 5/1991 Gocke et al. D23/290
D324,902 S * 3/1992 Kohler et al. D23/271
D483,531 S * 12/2003 Shelley D23/290

* cited by examiner

Primary Examiner — Robert Delehanty

(74) *Attorney, Agent, or Firm* — Volpe and Koenig, P.C.

(57) **CLAIM**

The ornamental design for a work center with sink, as shown and described.

DESCRIPTION

FIG. 1 is a top, front, right perspective view of a work center with sink of our design;

FIG. 2 is a top, front, right perspective view of the work center with sink of FIG. 1 shown in an alternate position of the covers;

FIG. 3 is a top, front, right perspective view of the work center with sink of FIG. 1 shown in a second alternate position;

FIG. 4 is a top plan view thereof;

FIG. 5 is a bottom view thereof;

FIG. 6 is a front elevational view thereof;

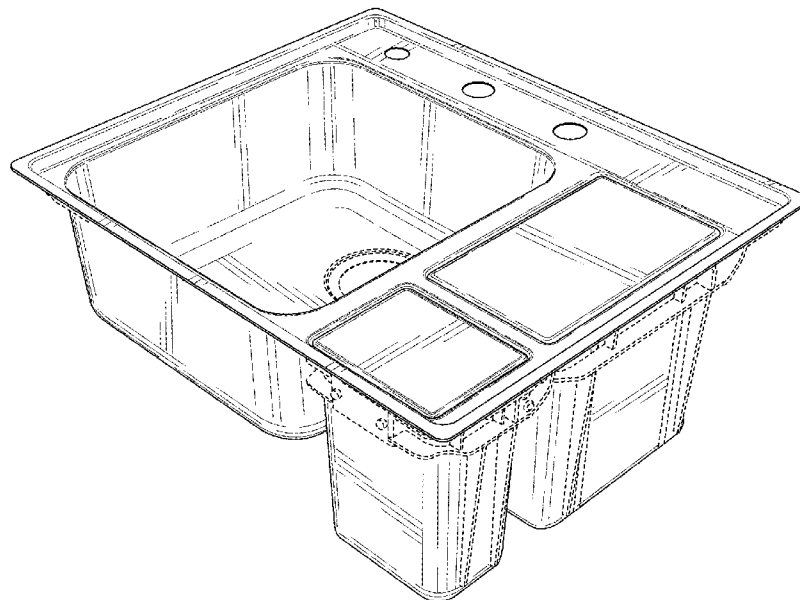
FIG. 7 is a rear elevational view thereof;

FIG. 8 is a right side elevational view thereof; and,

FIG. 9 is a left side elevational view thereof.

The broken lines shown are for illustration purposes only and form no part of the claimed design.

1 Claim, 9 Drawing Sheets



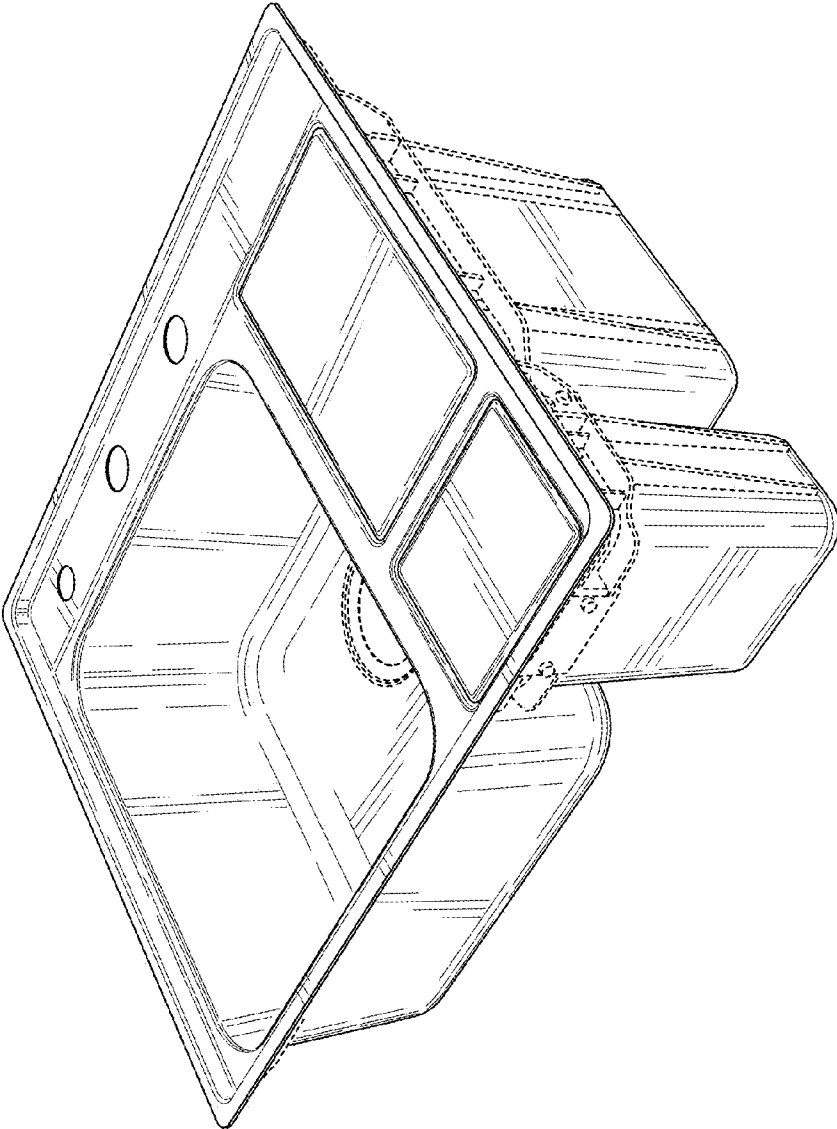


FIG. 1

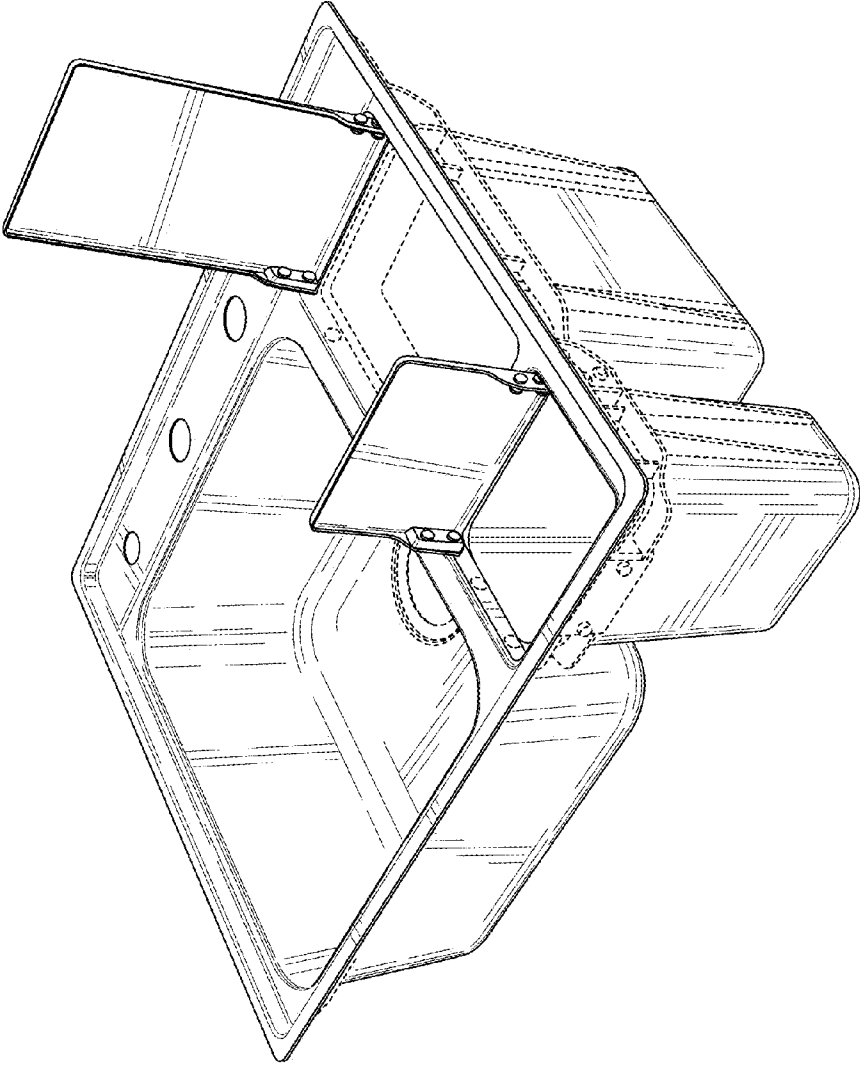


FIG. 2

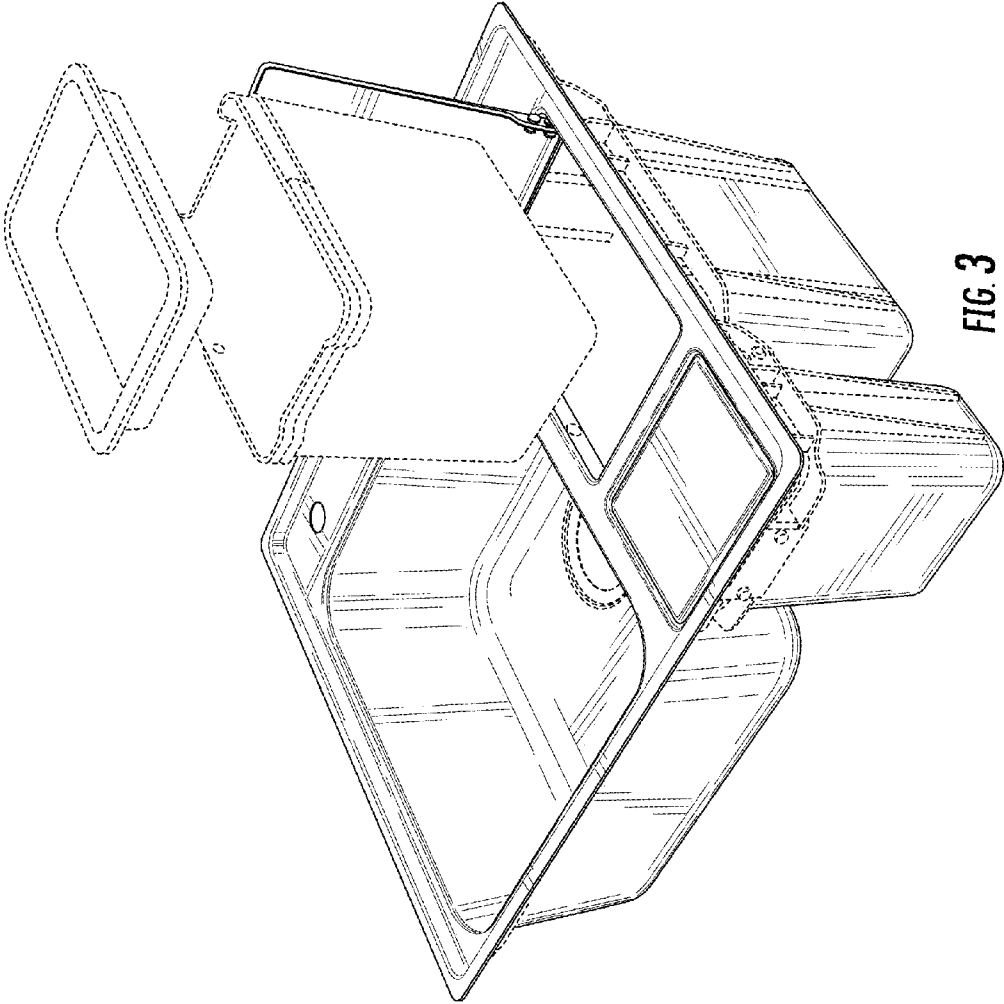


FIG. 3

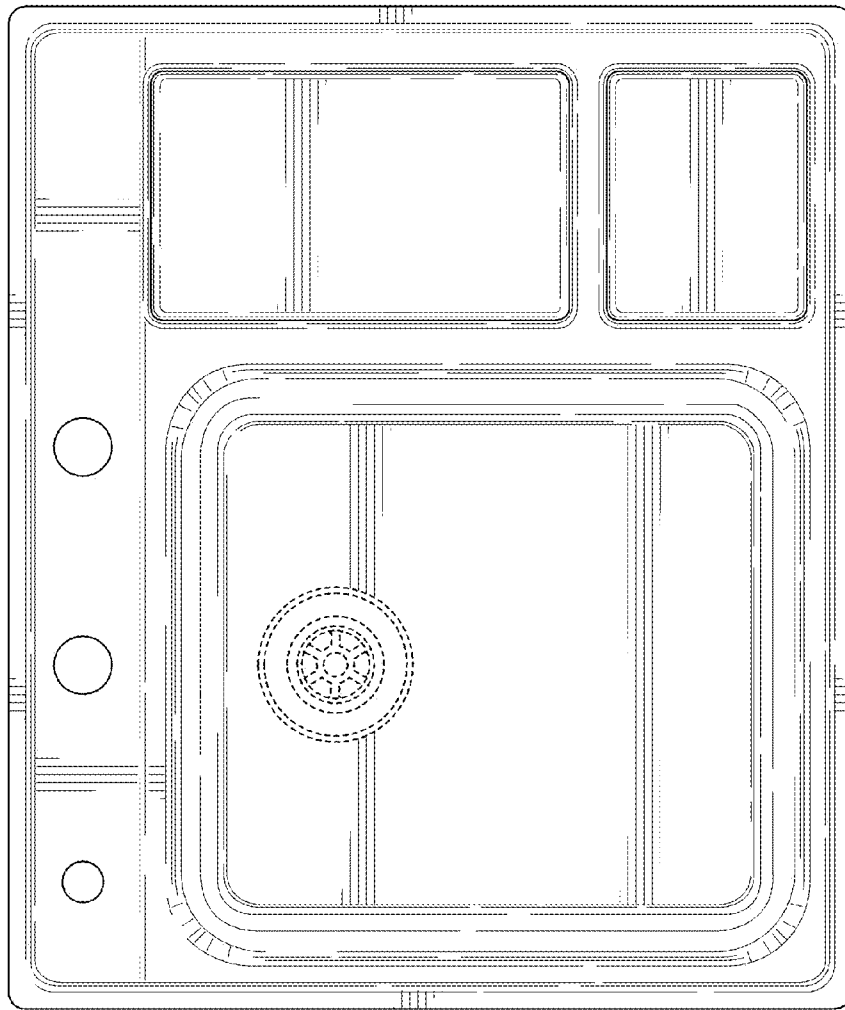


FIG. 4

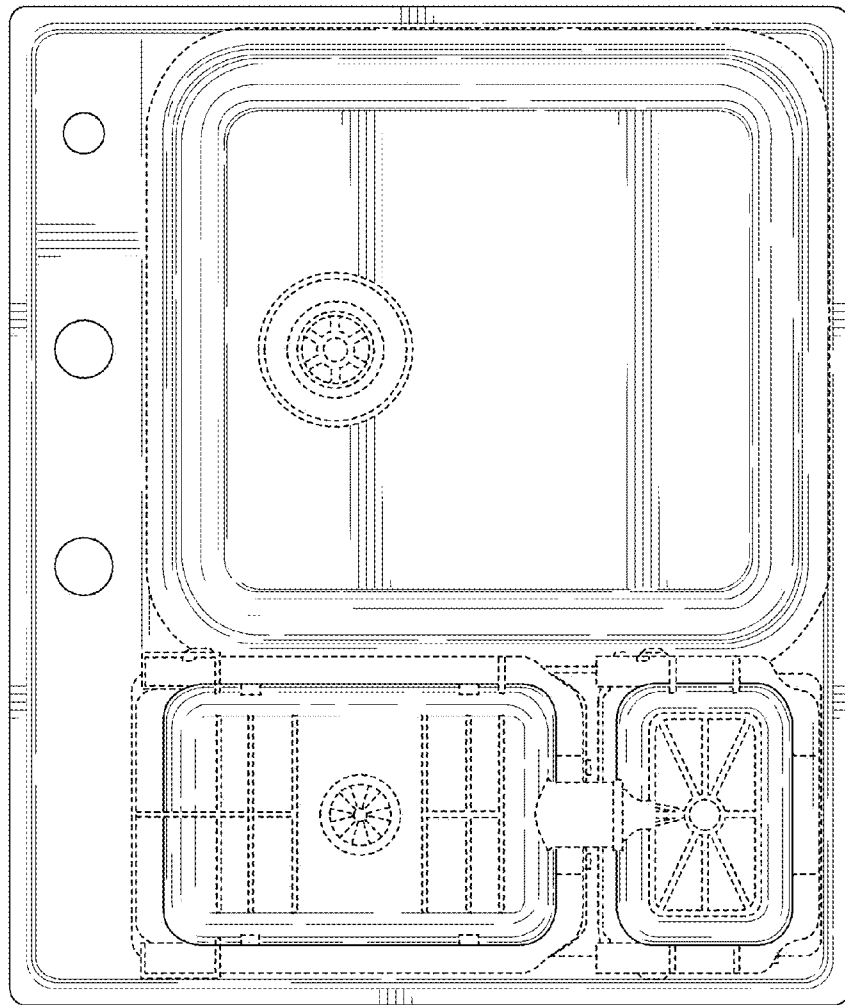


FIG. 5

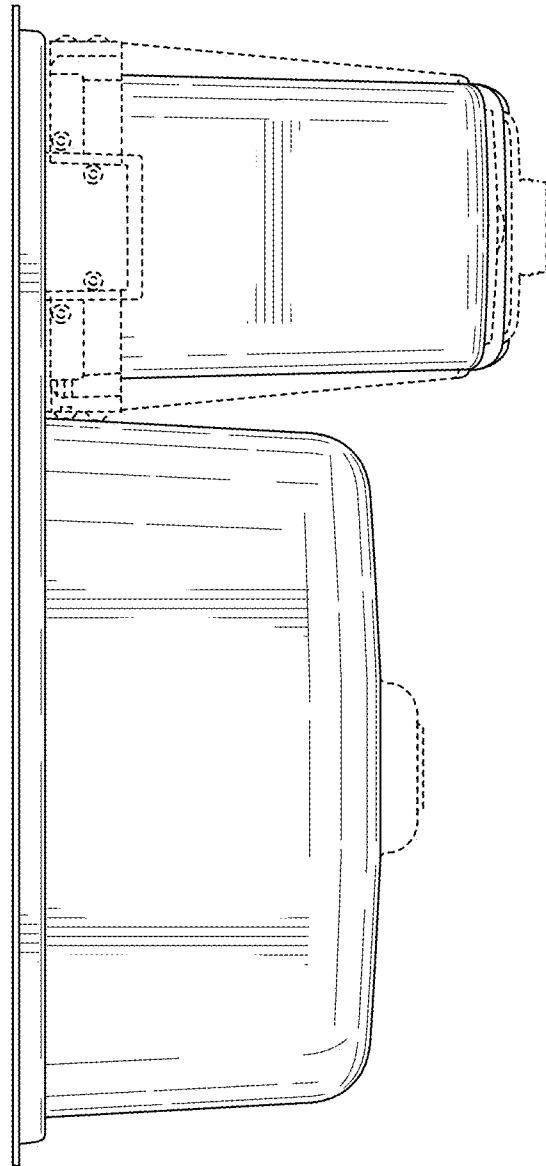


FIG. 6

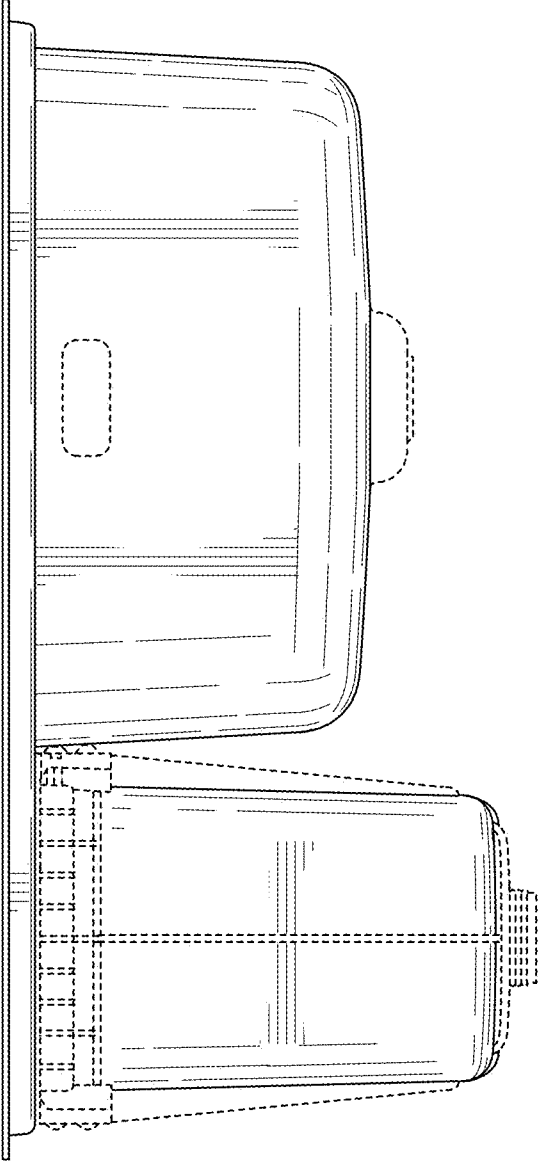


FIG. 7

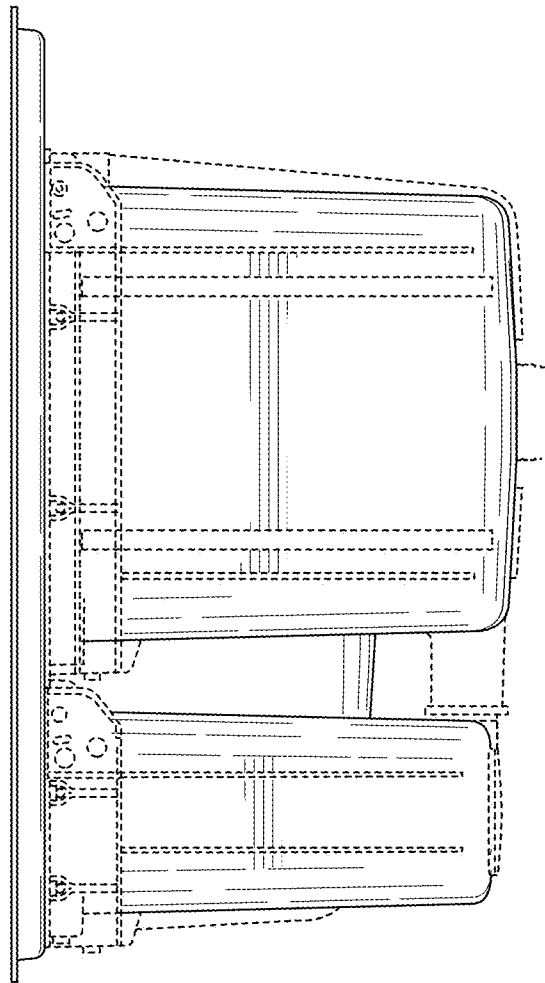


FIG. 8

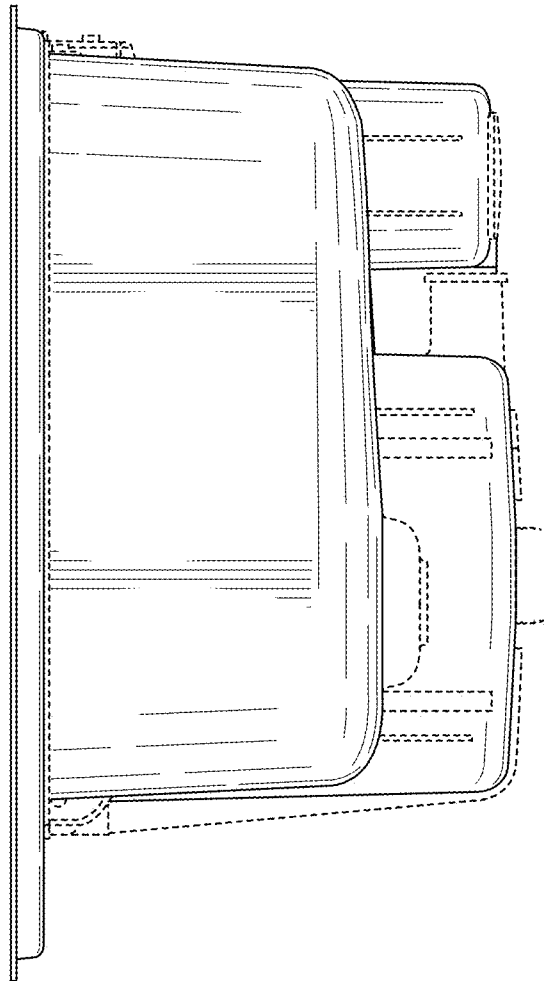


FIG. 9