

[54] CUP LID

[76] Inventor: Dean H. Wall, 7374 S. 2200 West, West Jordan, Utah 84084

[**] Term: 14 Years

[21] Appl. No.: 785,975

[22] Filed: Oct. 10, 1985

[52] U.S. Cl. D9/454; D9/435

[58] Field of Search D9/439, 435, 452, 454; D7/40; 215/200, 211, 215, 216, 354; 220/306, 307

[56] References Cited

U.S. PATENT DOCUMENTS

- D. 248,376 7/1978 Allen et al. D9/454
- D. 256,558 8/1980 Smith D9/454

- D. 286,508 11/1986 Tilden D9/435
- D. 287,469 12/1986 Weinberger D9/435
- D. 287,919 1/1987 Clements D9/454 X
- 1,049,625 1/1913 Weissenthanner 215/354
- 3,964,635 6/1976 Ludder 220/306

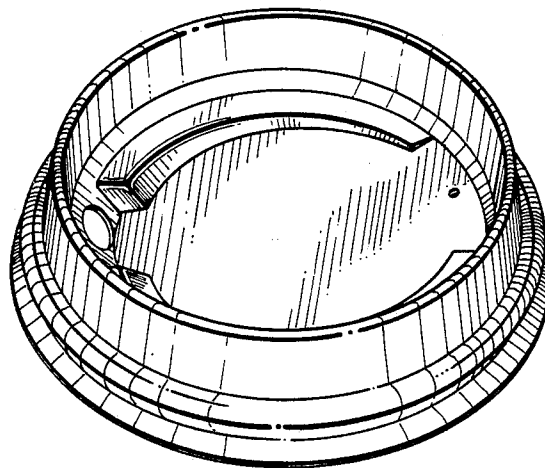
Primary Examiner—Bruce W. Dunkins

[57] CLAIM

The ornamental design for a cup lid, as shown and described.

DESCRIPTION

FIG. 1 is a perspective view of a cup lid showing my design;
 FIG. 2 is a top plan view on a reduced scale;
 FIG. 3 is a side elevational view, the opposite side being the same in appearance; and
 FIG. 4 is a bottom plan view thereof.



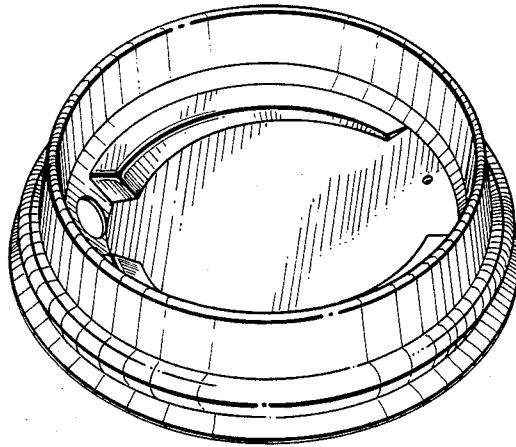


FIG. 1

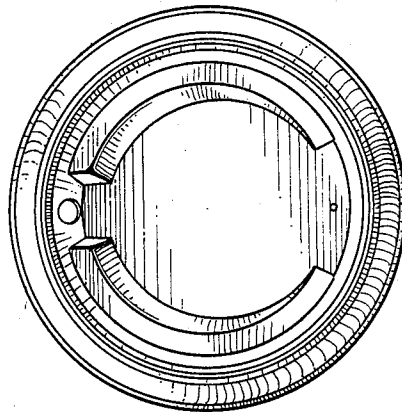


FIG. 2



FIG. 3

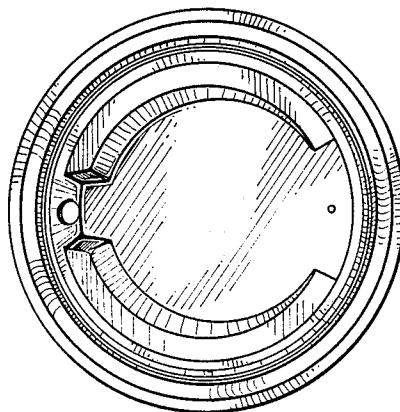


FIG. 4