



US00D732240S

(12) **United States Design Patent**
Brown

(10) **Patent No.:** **US D732,240 S**

(45) **Date of Patent:** **** Jun. 16, 2015**

(54) **CONTAINER FOR COSMETICS**

(71) Applicant: **James Brown**, Salford (GB)

(72) Inventor: **James Brown**, Salford (GB)

(73) Assignee: **Zamya Limited**, Salford (GB)

(**) Term: **14 Years**

(21) Appl. No.: **29/461,765**

(22) Filed: **Jul. 26, 2013**

(30) **Foreign Application Priority Data**

Jan. 29, 2013 (AU) 10414/2013

(51) **LOC (10) Cl.** **28-03**

(52) **U.S. Cl.**

USPC **D28/85; D9/724; D28/76**

(58) **Field of Classification Search**

USPC D28/76, 85-90, 77, 7, 83; 132/317,
132/320, 318; 206/581, 823, 385; 401/68,
401/88, 98, 126-130; D9/726, 724, 414,
D9/564

CPC A45D 34/06; A45D 34/04; A45D 34/041;
A45D 34/042-34/048; A45D 33/12; A45D
40/26; A45D 40/261; A45D 2040/0012;
A45D 2200/1009; A45D 2200/1018; A45D
2200/1036

See application file for complete search history.

(56) **References Cited**

U.S. PATENT DOCUMENTS

D642,928 S * 8/2011 Lundin D9/529

2002/0127046 A1 * 9/2002 Gueret 401/266

* cited by examiner

Primary Examiner — Jennifer Rivard

(74) *Attorney, Agent, or Firm* — Fross Zelnick Lehrman & Zissu, P.C.; Charles T. J. Weigell, Esq.

(57) **CLAIM**

The ornamental design for a container for cosmetics, as shown and described.

DESCRIPTION

FIG. 1 is a top view of a container for cosmetics showing my new design;

FIG. 2 is a front view of the container shown in FIG. 1;

FIG. 3 is a back view of the container shown in FIG. 1;

FIG. 4 is a side view of the container shown in FIG. 1, with the other side view being the same;

FIG. 5 is a bottom view of the container shown in FIG. 1;

FIG. 6 is a front perspective view of the container shown in FIG. 1;

FIG. 7 is a front view of the container shown in FIG. 1, with top removed;

FIG. 8 is a back view of the container shown in FIG. 1, with top removed;

FIG. 9 is a side view of the container shown in FIG. 1, with top removed;

FIG. 10 is the other side view of the container shown in FIG. 1, with top removed;

FIG. 11 is a top view of the container shown in FIG. 1, with top removed;

FIG. 12 is a front perspective view of the container shown in FIG. 1, with top removed;

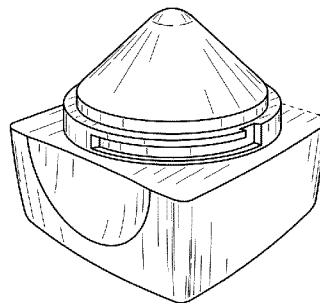
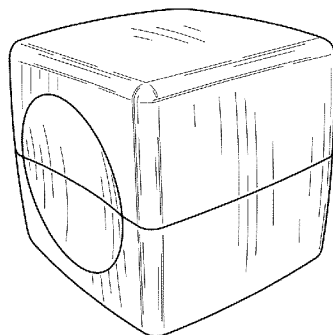
FIG. 13 is a top view of the container shown in FIG. 1, with top and central portion removed; and,

FIG. 14 is a front perspective view of the container shown in FIG. 1, with top and central portion removed.

The broken line showing of portions of the back and bottom of the container forms no part of the claimed design.

The top and central portions of the container for cosmetics have been removed from FIGS. 7-14 for convenience of illustration.

1 Claim, 3 Drawing Sheets



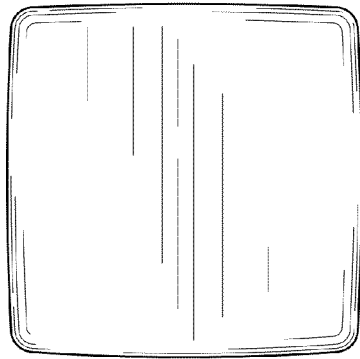


FIG. 1

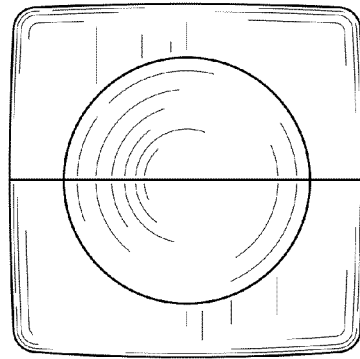


FIG. 2

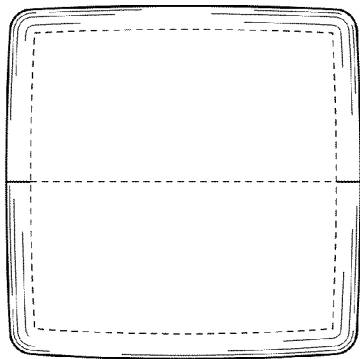


FIG. 3

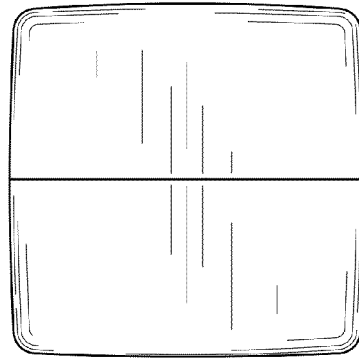


FIG. 4

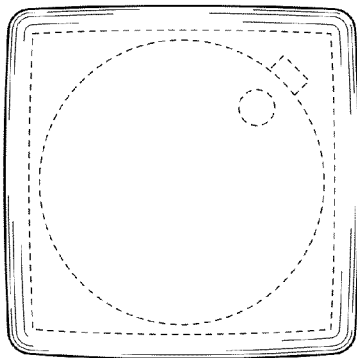


FIG. 5

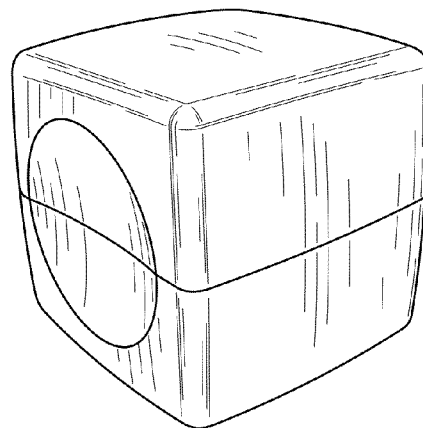


FIG. 6

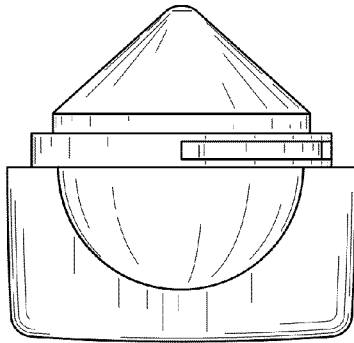


FIG. 7

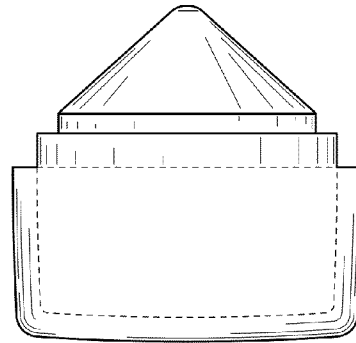


FIG. 8

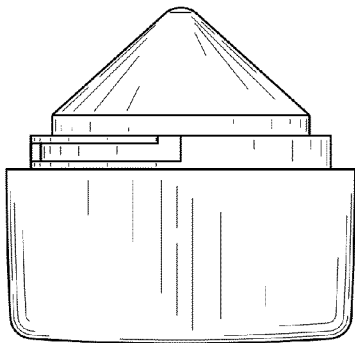


FIG. 9

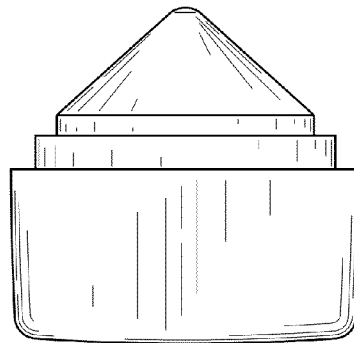


FIG. 10

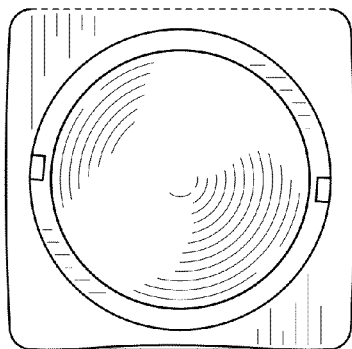


FIG. 11

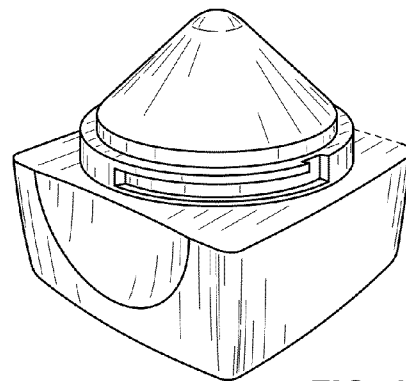


FIG. 12

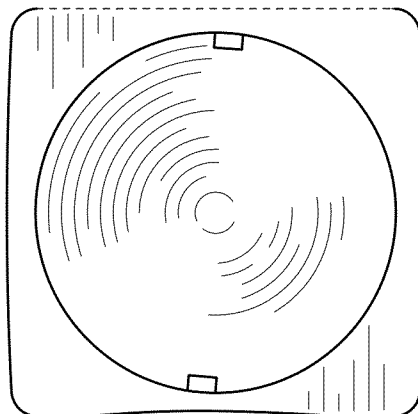


FIG. 13

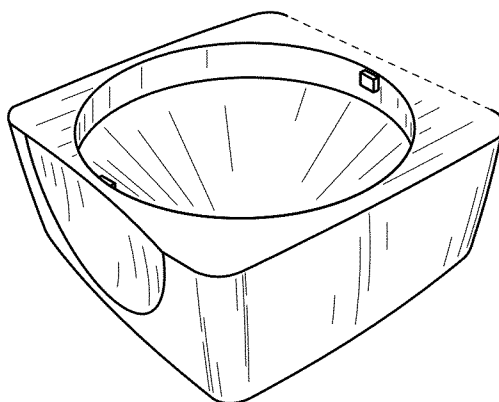


FIG. 14