



US00D436616S

(12) **United States Design Patent** (10) **Patent No.:** **US D436,616 S**
Kaiser (45) **Date of Patent:** **** Jan. 23, 2001**

(54) **DRUMSTICK WITH SQUARE CROSS SECTIONAL HANDLE**

(76) Inventor: **Peter Michael Kaiser**, P.O. Box 916,
Linden, CA (US) 95236

(**) Term: **14 Years**

(21) Appl. No.: **29/118,272**

(22) Filed: **Feb. 8, 2000**

(51) **LOC (7) Cl.** **17-04**

(52) **U.S. Cl.** **D17/22; 84/422.4**

(58) **Field of Search** **D17/22, 99; D21/405; 84/422.4**

(56) **References Cited**

U.S. PATENT DOCUMENTS

D. 393,276	*	4/1998	Alvarado	D17/22
3,165,964	*	1/1965	Stys et al.	D17/22
4,462,296	*	7/1984	Heiskell	84/422.4
5,263,395	*	11/1993	Phillips	84/422.4

FOREIGN PATENT DOCUMENTS

4001403	*	7/1990	(DE)	84/422.4
---------	---	--------	------	-------	----------

OTHER PUBLICATIONS

Music Trades, Dec. 1987, p. 6 (pro-mark drumsticks).*

* cited by examiner

Primary Examiner—Adir Aronovich
(74) *Attorney, Agent, or Firm*—Basil Travis

(57) **CLAIM**

The ornamental design for a drumstick with square cross sectional handle, as shown and described.

DESCRIPTION

FIG. 1 is a perspective view of a drumstick with square cross sectional handle showing my new design;

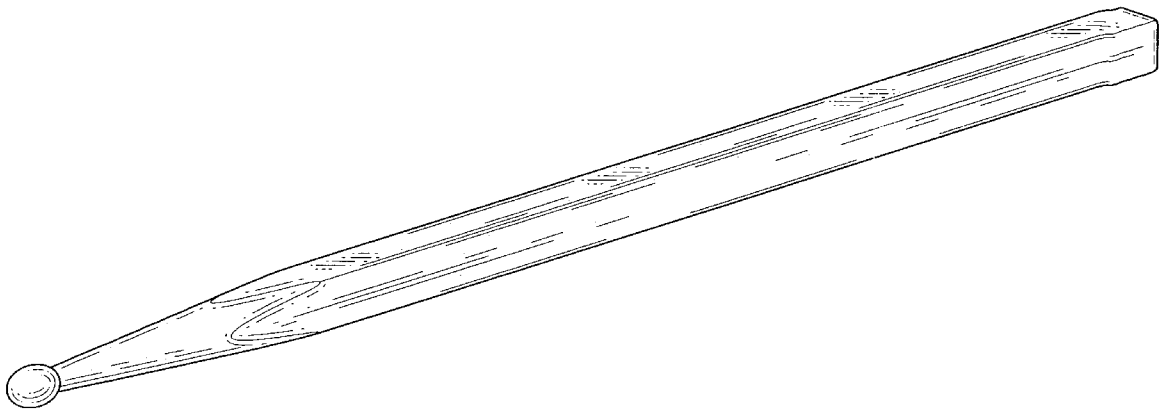
FIG. 2 is a front elevational view;

FIG. 3 is a rear elevational view;

FIG. 4 is a side elevational view, the opposite side being a mirror image; and,

FIG. 5 is a top plan view, the bottom being a mirror image thereof.

1 Claim, 1 Drawing Sheet



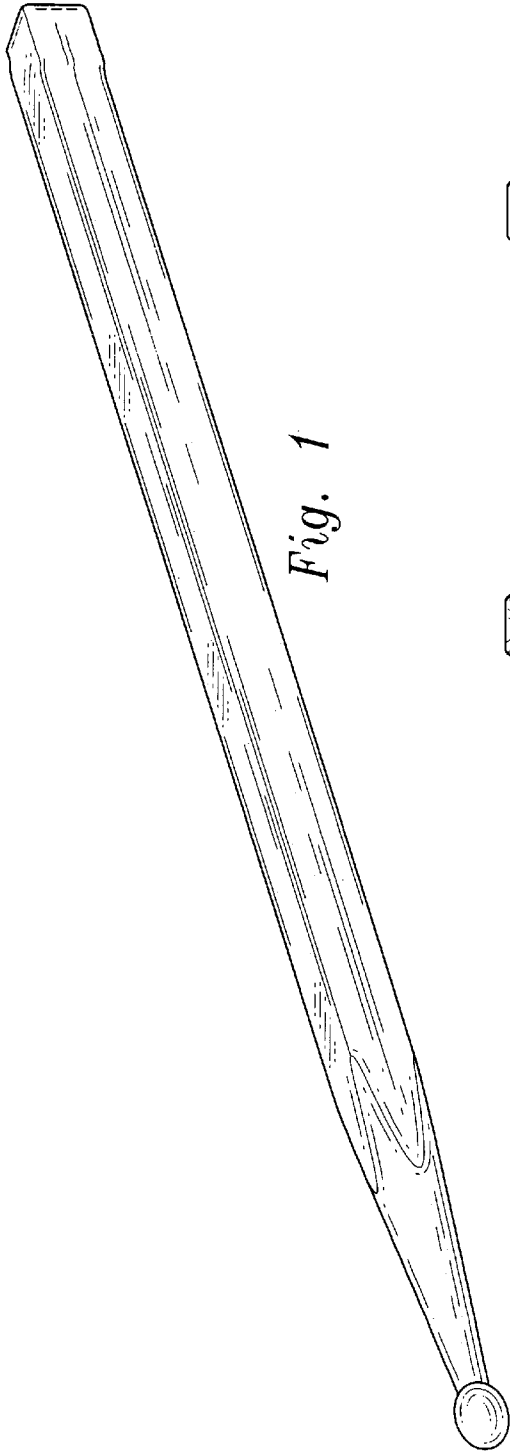


Fig. 1



Fig. 2



Fig. 3



Fig. 4

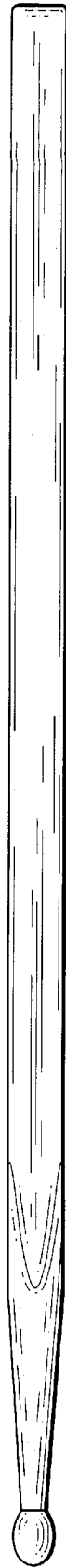


Fig. 5