



US00D474143S

(12) **United States Design Patent** (10) **Patent No.:** **US D474,143 S**
Ho (45) **Date of Patent:** **** May 6, 2003**

(54) **WINDSHIELD WIPER FOR VEHICLE**

(76) Inventor: **Wen-Chen Ho**, No. 11, Lane 28, Ting Liao I St., Long Yuan Tsun, Pa Li Hsiang, Taipei Hsien (TW)

(**) Term: **14 Years**

(21) Appl. No.: **29/169,055**

(22) Filed: **Oct. 15, 2002**

(51) **LOC (7) Cl.** **12-06**

(52) **U.S. Cl.** **D12/219**

(58) **Field of Search** D12/219, 220; 15/250.31-250.33, 250.315, 250.38, 250.4, 250.41, 250.201, 250.451-250.454

(56) **References Cited**

U.S. PATENT DOCUMENTS

| | | | | | |
|------------|---|---------|---------------|-------|---------|
| D257,339 S | * | 10/1980 | Ellinwood | | D12/219 |
| D310,193 S | * | 8/1990 | Charet | | D12/219 |
| D328,061 S | * | 7/1992 | Su | | D12/219 |
| D329,034 S | * | 9/1992 | Charet et al. | | D12/219 |
| D330,691 S | * | 11/1992 | Leu | | D12/219 |
| D334,161 S | * | 3/1993 | Wu et al. | | D12/219 |
| D336,739 S | * | 6/1993 | Wu et al. | | D12/219 |

| | | | | | |
|------------|---|---------|-----------------|-------|---------|
| D340,437 S | * | 10/1993 | Yang | | D12/219 |
| D347,610 S | * | 6/1994 | Charet et al. | | D12/219 |
| D380,434 S | * | 7/1997 | Chen | | D12/219 |
| D414,456 S | * | 9/1999 | Hussaini et al. | | D12/219 |
| D464,600 S | * | 10/2002 | Chen | | D12/219 |

* cited by examiner

Primary Examiner—Stacia Cadmus

(74) *Attorney, Agent, or Firm*—Browdy and Neimark, P.L.L.C.

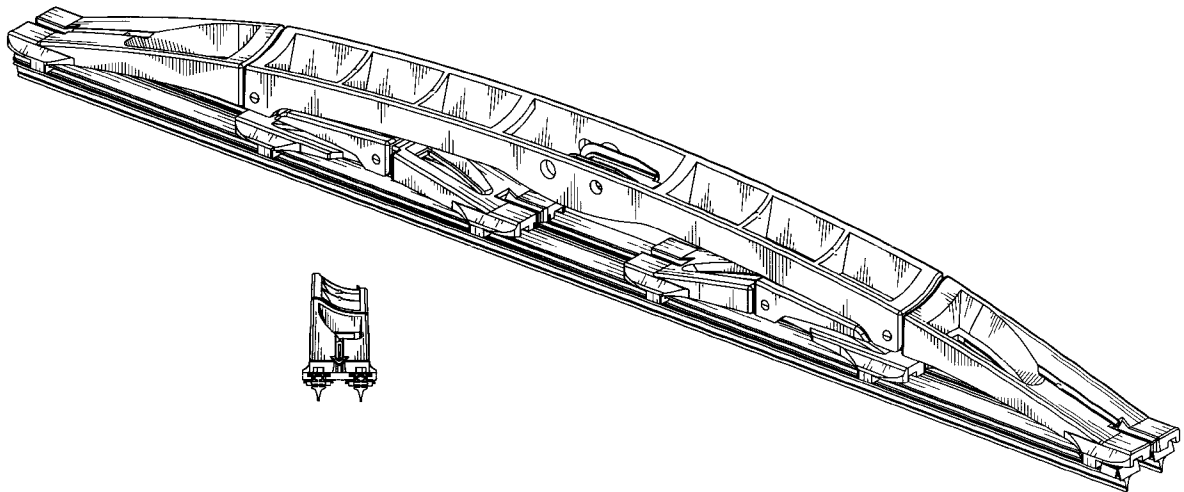
(57) **CLAIM**

The ornamental design for a windshield wiper for vehicle, as shown and described.

DESCRIPTION

FIG. 1 is a perspective view of a “windshield wiper for vehicle” showing my new design; FIG. 2 is a front view thereof; FIG. 3 is a rear view thereof; FIG. 4 is a left side view thereof; FIG. 5 is a right side view thereof; FIG. 6 is a top view thereof; and, FIG. 7 is a bottom view thereof.

1 Claim, 4 Drawing Sheets



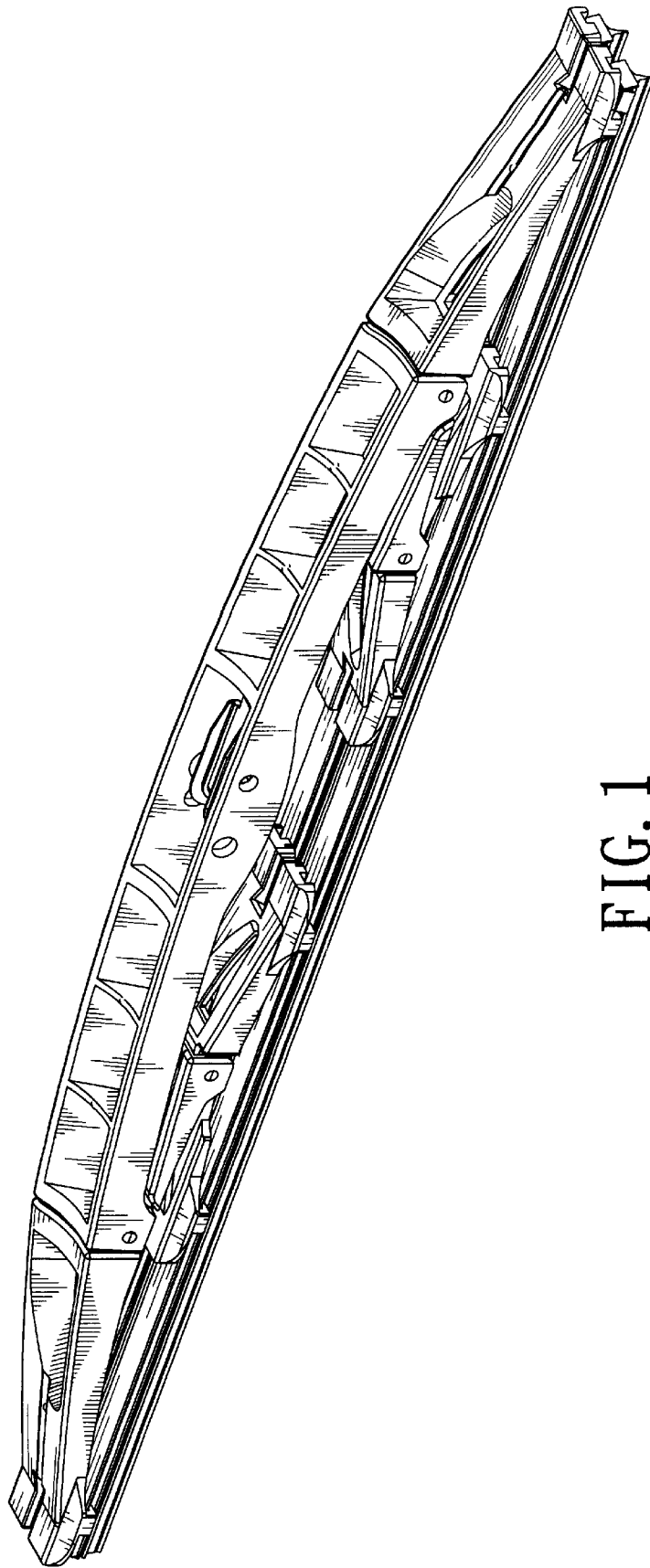


FIG. 1

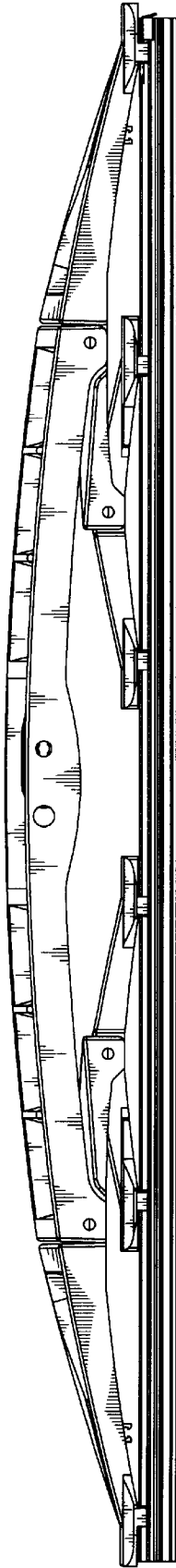


FIG. 2

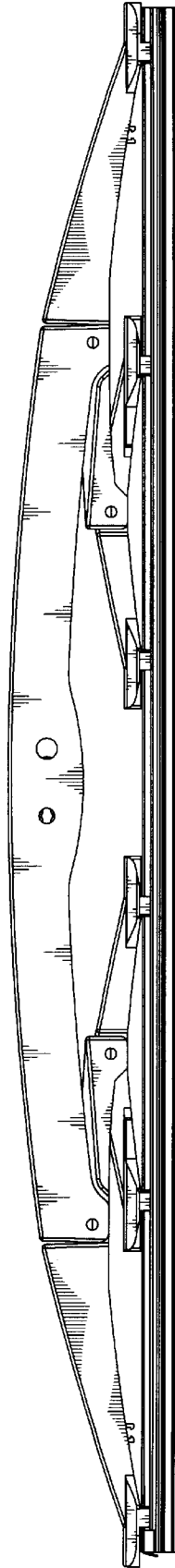


FIG. 3

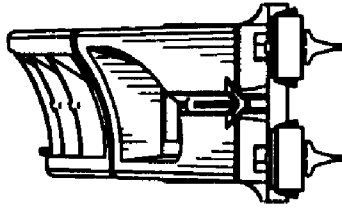


FIG. 5

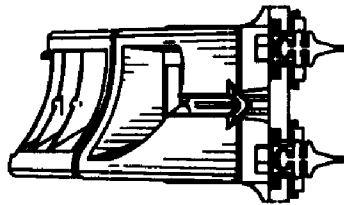


FIG. 4

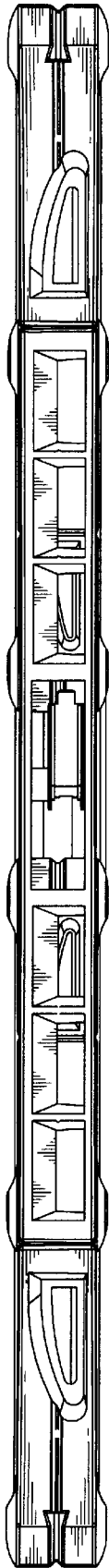


FIG. 6

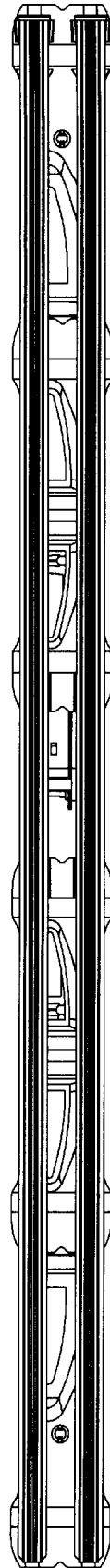


FIG. 7